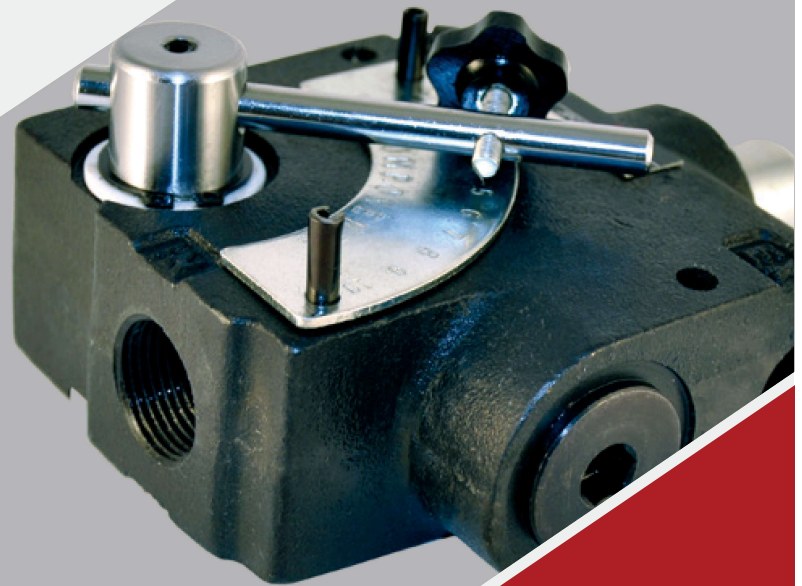


WWW.TECHYDRO.COM.CN

TECHYDRO

TECHYDRO



ACCESSORIES

FOR ALL TECHNICAL SPECIFICATION OR DRAWINGS PLEASE
CONTACT OUR TEAM OR EMAIL US:
SALES@TECHYDRO.COM.CN

Ningbo Tech-Hydro Co. Ltd

FEATURES

PCC-*-51 model is a full range pressure compensating variable flow control. It is designed so that the orifice area varies as the lever is rotated. The outlet flow is smooth and constant regardless of the pressure on the control flow or excess flow ports. An adjustable ball spring relief allows for pressure compensated flow up to the pressure setting on the relief. Relief valves are preset at 1500 psi and field adjustable from 750 to 3000 psi.

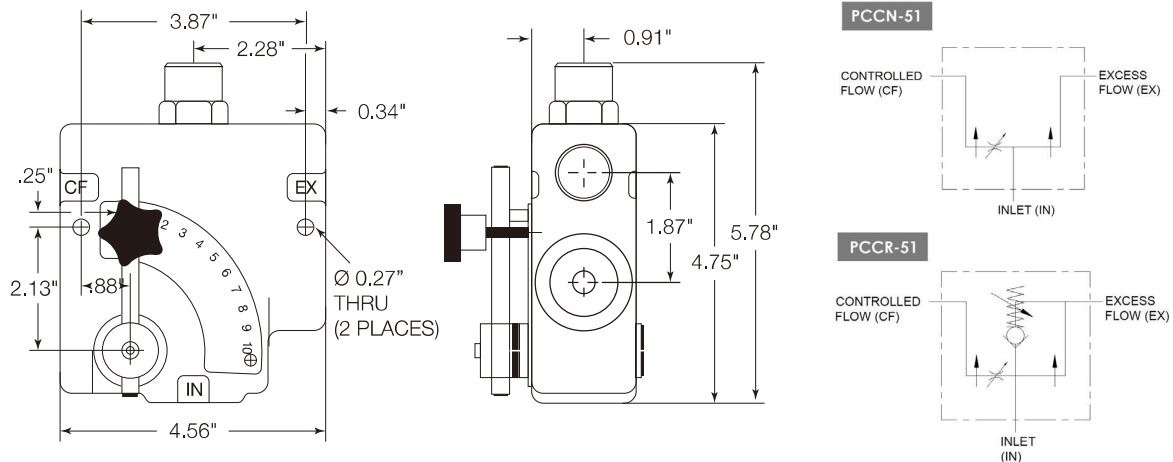


PCC-*-51

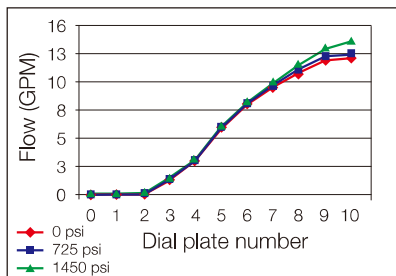
MATERIALS

Cast iron body, heat treated compensator spool, stainless steel rotary spool, Buna N "O" rings (standard).

DIMENSIONS



FLOW CURVE & INFORMATION



Code	Size	Flow
38-N	3/8"-NPT	0-8 gpm
12-N	1/2"-NPT	0-16 gpm
34-N	3/4"-NPT	0-30 gpm
08-S	3/4-16 UNF	0-8 gpm
10-S	7/8-14 UNF	0-16 gpm
12-S	1 1/16-12 UN	0-30 gpm

*RATED FOR 3000 PSI (207 BAR)

ORDERING INFORMATION

PCC-	R-	51-	34-N
Pressure compensated flow control	R- Adjustable ball spring relief N - No relief	Standard flow control	Port size: 38-N 08-S 12-N 10-S 34-N 12-S

FOR MORE INFORMATION PLEASE CONTACT US

SALES@TECHYDRO.COM.CN



TECHYDRO

📞 +86-15869517019

✉ SALES@techydro.com.cn

🌐 WWW.TECHYDRO.COM.CN

📞 whatsapp/Wechat: +86-15869517019

TEL: +86(0574) -87021030

