

WWW.TECHYDRO.COM.CN

TECHYDRO

TECHYDRO



ACCESSORIES

FOR ALL TECHNICAL SPECIFICATION OR DRAWINGS PLEASE
CONTACT OUR TEAM OR EMAIL US:
SALES@TECHYDRO.COM.CN

Ningbo Tech-Hydro Co. Ltd

TH-RFA



-



-



X



-



-



Code

TH-RFA = Tank mounted mini-type return filter series



Medium

BH = Water-glycol
Omit = Hydraulic oil



Flow rate



Filtration accuracy



Connector

L = Threaded connection
F = Flanged connection



Indicator

Omit = Without indicator
Y = With CYB-I indicator ≤DC24V
C = With CY-II indicator ≤220V



TH-SPIN-ON LINE FILTER SERIES

TH-SP



MODEL

TH-SP = Spin-on line filter



Filter

H = Filter head
Omit = A set of filter
X = Element



Nom.Dia.

06 = RC3/4



Filtration accuracy

10, 25 = 10μm, 25μm Omit = Only buy filter head



Filter type

Omit = Return filter J = Oil suction filter



Model	Max.Press. (MPa)	Blow up press (MPa)	By-pass setting (MPa)	Flow rate(L/min)		Filtr. (μm)	Weight (KG)	Screw	Model of filter head		Model of element
				Oil return	Oil absorption				Oil return	Oil absorption	
TH-SP-06×10	0.7	2.0	0.25	60	20	10	0.76	R3/4	SPH-06	SPH-06-J	SPX-06×10
TH-SP-06×25				70	25	25	0.76	R3/4			SPX-06×20
TH-SP-08×10				60	20	10	0.76	R1	SPH-08	SPH-08-J	SPX-08×10
TH-SP-08×25				70	25	25	0.76	R1			SPX-08×25
TH-SP-10×10				144	42	10	1.88	R1 1/4	SPH-10	SPH-10-J	SPX-10×10
TH-SP-10×25				160	50	25	1.88	R1 1/4			SPX-10×25
TH-SPA-10×10				200	58	10	2.70	R1 1/4			SPAX-10×10
TH-SPB-10×10				320	80	10	3.0	R1 1/4			SPBX-10×10



TH-RF SERIES FILTER

TH-RF - - X - -

01 02 03 04 05 06

01 Code
TH-RF = Tank mounted return filter series

02 Medium
BH = Water-glycol Omit = Hydraulic oil

03 Flow rate **04 Filtration accuracy**

05 Indicator
Omit = Without indicator
Y = With CYB-I indicator ≤DC24V
C = With CY-II indicator ≤220V

06 Connector
L = Threaded connection F = Flanged connection



Model	Flow rate (L/min)	Filtr. (µm)	Dia. (mm)	Press (MPa)	Initial P(MPa)		Indicator		Weight (KG)	Model of element		
					Initial	Max.	(V)	(A)				
TH- RF - 60x*.*	60	1	20	1	≤0.07	0.35	12	2.5	0.4	LH0060R*BN/HC		
TH- RF - 110x*.*	110		0.9						LH0110R*BN/HC			
TH- RF - 160x*.*	160	3	40						1.1	LH0160R*BN/HC		
TH- RF - 240x*.*	240	5	50						1.8	LH0240R*BN/HC		
TH- RF - 330x*.*	330	20	80						2.3	LH0330R*BN/HC		
TH- RF - 500x*.*	500								10	50	3.2	LH0500R*BN/HC
TH- RF - 660x*.*	660	30	90						4.1	LH0660R*BN/HC		
TH- RF - 850x*.*	850								20	80	13	LH0850R*BN/HC
TH- RF - 950x*.*	950								30	90	20	LH0950R*BN/HC
TH- RF - 1300x*.*	1300		100						41.5	LH1300R*BN/HC		



HT-RFB SERIES FILTER

TH-RFB

01

02

03

X
04

05

06

01 Code

TH-RFA = Tank mounted mini-type return filter series

02 Medium

BH = Water- glycol
Omit = Hydraulic oil

03 Flow rate

04 Filtration accuracy

05 Connector

L = Threaded connection
F = Flanged connection

06 Indicator

Omit = Without indicator
Y = With CYB-I indicator ≤DC24V
C = With CY-II indicator ≤220V



Model	Flow rate (L/min)	Filtr. (µm)	Dia. (mm)	Press (MPa)	Initial P (MPa)		Indicator		Weight (KG)	Model of element
					Initial	Max.	(V)	(A)		
TH-RFA-25×L*	25	1	15	1.6	≤0.075	0.35	12	2.5	0.85	FAX-25*
TH-RFA-40×L*	40		20						0.9	FAX-40*
TH-RFA-63×L*	63	25	1.5						FAX-63*	
TH-RFA-100×L*	100	32	1.7						FAX-100*	
TH-RFA-160×L*	160	5	40						2.7	FAX-160*
TH-RFA-250×L*	250	10	50						4.35	FAX-250*
TH-RFA-400×L*	400	20	65						6.15	FAX-400*
TH-RFA-630×L*	630	30	90						8.2	FAX-630*
TH-RFA-800×L*	800								8.9	FAX-800*
TH-RFA-1000×L*	1000								9.96	FAX-1000*

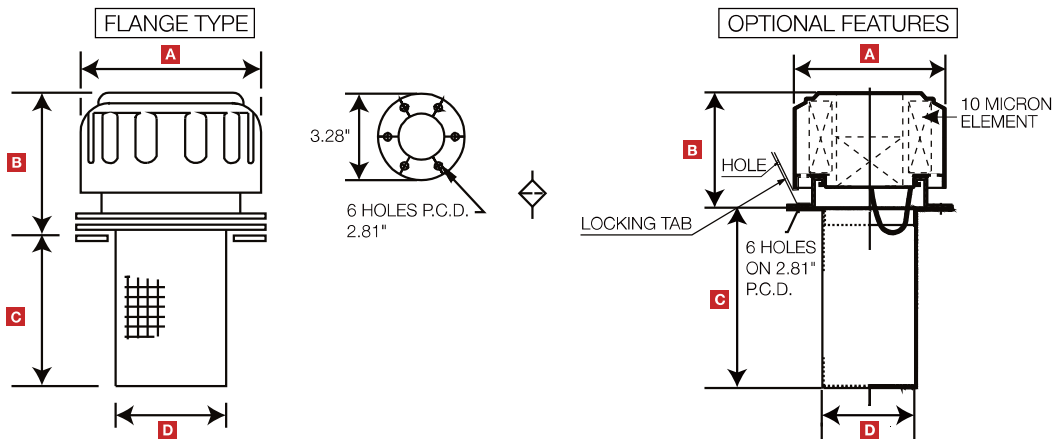
SPECIFICATIONS

- Chrome-plated steel cap - vents underneath.
- Filtration 40 microns standard,
 10 microns optional.
- Air Flows To 25 CPM (750 LPM)
- Metal Strainer Standard
- Hardware includes gaskets and 10-32 screws.



TH-FBA

DIMENSIONS



Model	Displacement (LPM)	Rating (microns)	A (in)	B (in)	C (in)	D (in)	Wt (lbs)
TH-FBA-80 B40	720	40	3.03	2.44	3.58	1.97	0.55
TH-FBA-80 B10	400	10	3.03	2.44	3.58	1.97	0.55

ORDERING INFORMATION

TH-	FBA	-	80	-	B40	-	B0	-	DS4	-	01			
Metal Filler Breather series			Filtration (microns)			Strainer			Dipstick Option			Locking Tab		
			B40 - 40 μ std			B0 - 3.58"			Blank - No Dipstick			01 - Without tab		
			B10 - 10 μ nom			B002 - 6"			DS4 - 4"			L1 - With tab		
						B003 - 8"			DS6 - 6"					
									DS8 - 8"					

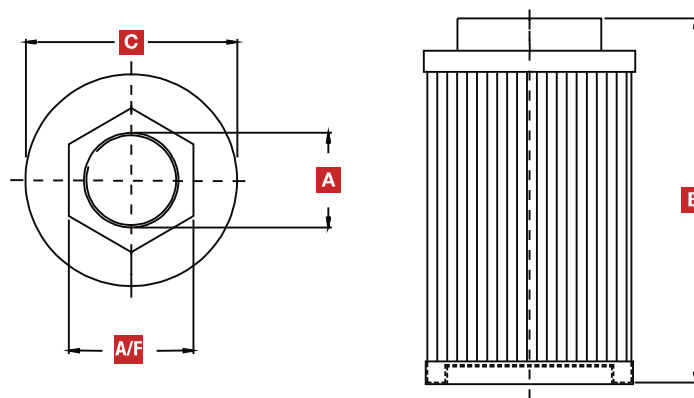
SPECIFICATIONS

- Reusable stainless steel 100 mesh, 149 micron standard
- Nylon nut
- Steel cap / support tube
- Maximum working temperature: 176°F
- Suitable for hydraulic/mineral oils
- Consult factory for water application
- Flexible magnetic wrap available



TH-SE

DIMENSIONS



Model	Flow (gpm)	A Thread NPT (in)	B Overall Length (in)	C Dia. Nut Cap (in)	A/F Nut (in)	Screen Area (in ²)	Wt (lbs)	Magnet Wrap
TH-SE-005	5.28	1/2	3.11	2.68	0.98	62.00	0.44	1
TH-SE-007	7.93	3/4	3.58	2.68	1.42	67.89	0.44	2
TH-SE-010	10.57	1	5.39	2.68	1.61	110.05	0.66	2
TH-SE-020	21.13	1-1/4	6.89	3.35	1.97	161.98	0.99	2
TH-SE-030	31.70	1-1/2	8.11	3.35	2.32	224.91	1.21	2
TH-SE-050	52.83	1-1/2	10.00	4.02	2.76	339.92	1.43	2
TH-SE-051	52.83	2	10.00	4.02	2.76	339.92	1.76	3
TH-SE-075	79.25	2-1/2	10.20	5.16	3.35	399.90	2.31	3
TH-SE-100	105.70	3	11.81	5.16	3.78	499.88	3.00	3

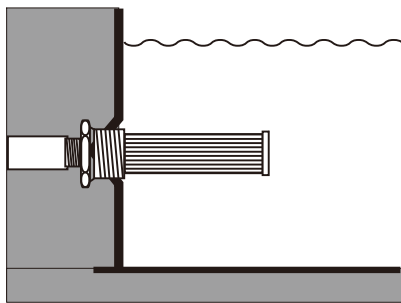
ORDERING INFORMATION

TH-	SE	-	005	-	N	-	149	-	**	-	M
Suction Strainer series			Size		Port Threads Connection		Microns		Bypass		Magnet Wrap
					N - NPT (Std)		149 - SS100 Mesh		RB3 - 3 PSI Bypass (Optional)		M - Magnet Wrap (Optional)

Consult factory for optional/special features.

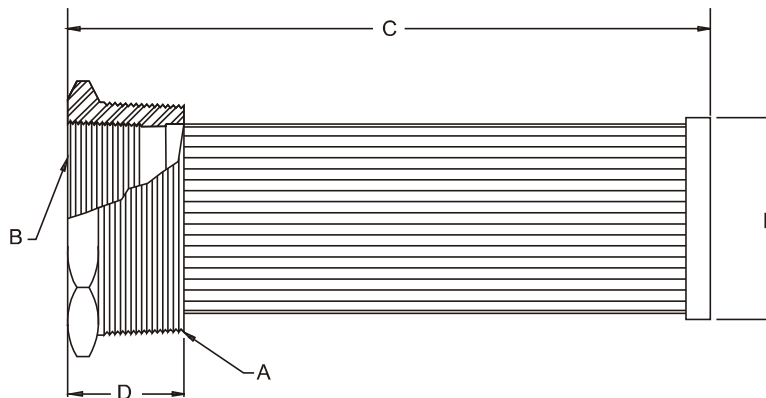
SPECIFICATIONS

- No by-pass.
- Perforated steel support tubes.
- Temperatures to +250°F (+120°C).
- 100 Mesh stainless steel plated elements.
- 5 PSI by-pass special order.
- Designed for ease of servicing.
Access to tank interior is not necessary.
- Mount through sidewall or through tank top and into a standpipe.



TH-TWS

ORDERING INFORMATION



Part #	GPM Rating	A	B	C	D	E	Screen Area (in ²)
TH-TMS-3	3	3/4" NPT	3/8" NPT	4.00	0.97	0.87	28.70
TH-TMS-5	5	1" NPT	1/2" NPT	5.34	1.06	1.03	35.00
TH-TMS-10	10	1 1/4" NPT	3/4" NPT	8.17	1.10	1.36	64.00
TH-TMS-15	15	1 1/2" NPT	1" NPT	8.20	1.30	1.62	86.00
TH-TMS-25	25	2" NPT	1 1/4" NPT	9.04	1.30	2.12	125.00
TH-TMS-50	50	3" NPT	2" NPT	9.70	1.70	3.00	260.00
TH-TMS-100	100	4" NPT	3" NPT	11.30	1.80	4.00	315.00

Units: inches

FOR MORE INFORMATION PLEASE CONTACT US

SALES@TECHYDRO.COM.CN



TECHYDRO

📞 +86-15869517019

✉️ SALES@techydro.com.cn

🌐 WWW.TECHYDRO.COM.CN

📞 whatsapp/Wechat: +86-15869517019

TEL: +86(0574) -87021030