

# Hydraulic Guages



 **TECH HYDRO**  
Power. Precision. Performance.

## SPECIFICATIONS

All gauges are a one piece design.

Socket	Copper alloy
Case	Black steel
Bourdon Tube	Circular in copper alloy up to 600 PSI Helical above 900 PSI
Movement	Copper alloy
Window	Acrylic
Dial	White plastic, black scale
Pointer	Black ABS plastic
Connection	Bottom (Model A); Center back (Model D)
Standard Threads	1/4" NPT - 1/8" NPT on some sizes
Accuracy	Class 1.6 - 2.5 ANSI B40.1 Grade B
Temperature Range	Ambient: -40°C to 60°C, media: max 60°C
Pressure Utilization	Static 75% max. scale; Dynamic 66% max. scale
Protection Degree	IP 43
Scale	Concentric 270° PSI/Bar

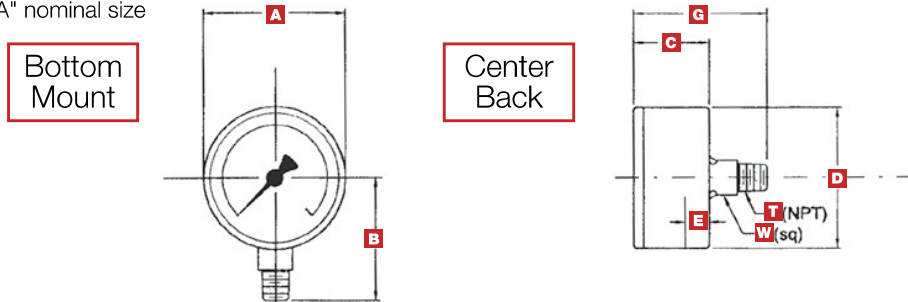


**TH-MPD**

**Custom gauges available, please contact Tech-Hydro**

## DIMENSIONS

■ "A" nominal size



Size	Weight	A	B	C	D	E	G	T	W
1-1/2"	0.16 lbs.	1.57"	1.42"	1.61"	1.61"	0.31"	1.83" <sup>1</sup>	1" or 1/4" NPT	0.55" <sup>2</sup>
2"	0.22 lbs.	1.97"	1.77"	1.06"	1.93"	0.39"	1.87" <sup>1</sup>	1" or 1/4" NPT	0.55"
2-1/2"	0.29 lbs.	2.48"	2.11"	1.1"	2.42"	0.39"	1.89" <sup>1</sup>	1" or 1/4" NPT	0.55"

<sup>1</sup> For gauges with 1/8" NPT connections, subtract 0.08 inches from "G" dimension.

<sup>2</sup> For 1 1/2" LM gauges with 1/8" NPT connection, "W" dimension also changes to 0.47".

## ORDERING INFORMATION

<b>TH-</b>	<b>MPD</b>	<b>1</b>	<b>P</b>	<b>30</b>	<b>A</b>	<b>1/4"</b>
<b>Dry gauge model</b>	<b>Diameter</b>	<b>Type</b>	<b>Pressure range (PSI)</b>	<b>Connection</b>	<b>Thread</b>	
	1 - 2-1/2"	P - Pressure	✓ denotes availability by size	A - Bottom	1/4" - 1/4" NPT	
	3 - 2"		PSI 1-1/2" 2" 2-1/2"	D - Center back	1/8"* - 1/8" NPT	
	4 - 1-1/2"		30 ✓ ✓ ✓		* Available for 1-1/2" and 2" back mount gauges only	
			60 ✓ ✓ ✓			
			100 ✓ ✓ ✓			
			160 ✓ ✓ ✓			
			200 ✓ ✓			
			300 ✓			
			600 ✓			
			1000 ✓			
			2000 ✓			
			3000 ✓			
			4000 ✓			
			5000 ✓			

Additional options are available. Please contact Tech-Hydro Industries for details.


**MODEL MPG**

## DESCRIPTION

Our MPG series is a high quality line of glycerin filled 2 1/2" and 4" pressure gauges typically used in hydraulic and pneumatic systems where vibration and pulsation are present. The glycerin is used to keep the internal parts lubricated, keeps contamination away from the moving parts and helps reduce vibration and shock. Available in vacuum through 10,000psi.

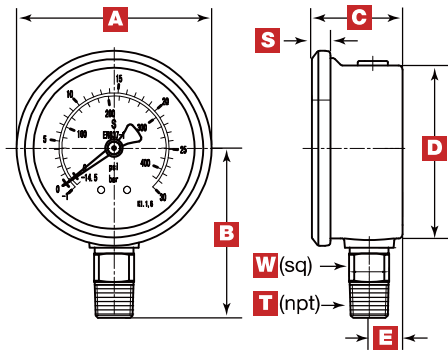
## SPECIFICATIONS

All gauges are a one piece design.		Connection	Bottom (Model A) Center back (Model D) 2 1/2". Lower back 4"
Socket	Copper alloy	Standard Threads	1/4 NPT and SAE -4
Case	Stainless steel	Filling Liquid	Glycerine fluid
Flange and Ring	Stainless steel (Model E)	Accuracy	1.5% of span
Ring	Stainless steel (Model B)	Temperature Range	Between -20°C to + 80°C
Bourdon Tube	Circular in copper alloy up to 600 PSI, Helical in copper alloy above 900 PSI	Working Range	Steady: 3/4 scale valve, Fluctuating: 2/3 scale valve, Short time: full scale
Movement	Copper alloy	Protection Degree	IP 65
Window	Polycarbonate, acrylic 4"	Scale	Concentric 270° - PSI/Bar
Dial	White ABS, black scale	<b>Custom gauges available, please contact Tech-Hydro.</b>	
Pointer	Black enamelled aluminium		
Mounting	Model E: Front flange with 3 mounting holes Model B: With special ring and back clamp.		

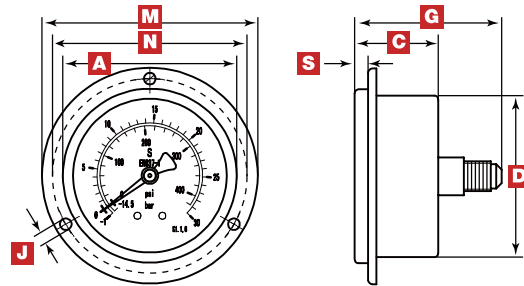
## ORDERING INFORMATION

<b>TH-</b>	<b>MPG</b>	<b>1</b>	<b>V</b>	<b>30</b>	<b>A</b>	<b>N</b>
<b>Liquid-filled gauge model</b>	<b>Diameter</b>	<b>Type</b>	<b>Pressure range</b>	<b>Style</b>	<b>Thread</b>	
	1 - 2-1/2" 2 - 4"	V - Vacuum C - Compound P - Pressure	30/0 - 30 in.Hg/0 psi 30/30 - 30 in.Hg/30 psi 30 - 30 psi 60 - 60 psi 100 - 100 psi 160 - 160 psi 200 - 200 psi 300 - 300 psi 600 - 600 psi 1000 - 1000 psi 1500 - 1500 psi 2000 - 2000 psi 3000 - 3000 psi 4000 - 4000 psi 5000 - 5000 psi 6000 - 6000 psi 10000 - 10000 psi	A - Bottom stem B - Panel clamp** D - Center back (Not available on 4" gauge) E - Panel flange** (Not available on 4" gauge) * Panel flange and clamp may be ordered separately to fit "D" style gauge 2-1/2" model only. <b>Part Number:</b> MPG-1-E - Flange MPG-1-B - Clamp	N - 1/4" NPT S - SAE-4	

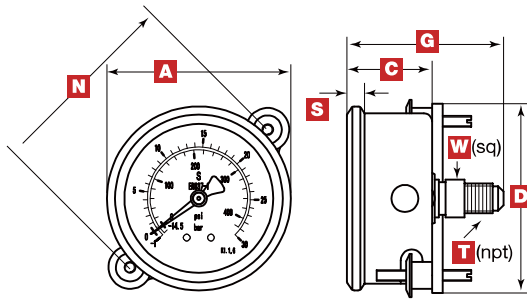
## DIMENSIONS



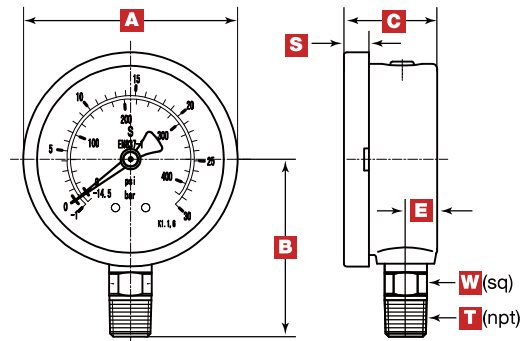
2-1/2" MPG Model A



2-1/2" MPG Model D & E



2-1/2" MPG Model B



4" MPG Model A

Size	Weight	A	B	C	D	E	G	H	J	M	N	S	T	W
2-1/2"	0.42 lbs	2.5"	2.13"	1.26"	2.44"	0.51"	2.13"	--	0.14"	3.35"	2.95"	0.26"	1/4"	0.55"
4"	1.76 lbs	4"	3.41"	1.89"	3.99"	0.61"	3.13"	1.18"	0.19"	5.20"	4.57"	0.31"	1/4"	0.87"

Size	Weight	A	B	C	E	G	S	W
SAE-4 2-1/2"	0.51 lbs	2.5"	2.41"	1.23"	0.51"	2.41"	0.24"	0.55"

- "A" nominal size
- T = 7/16" - 20" SAE Connection, Supplied with Viton o-ring, hex nut, and washer

FOR MORE INFORMATION PLEASE CONTACT US

*SALES@TECHYDRO.COM.CN*



**TECHYDRO**

- 📞 +86-15869517019
  - ✉️ SALES@techydro.com.cn
  - 🌐 WWW.TECHYDRO.COM.CN
  - 📞 whatsapp/Wechat: +86-15869517019
- TEL: +86(0574) -87021030