

# HYDRAULIC FINAL DRIVE

Ningbo Tech Hydro Co. Ltd.



# Travel Motors

As a renowned global brand in hydraulics, Tech Hydro stands out as your premier partner for Hydraulic Travel Motors and Swing Motors. The TH- TM series Final Drives and TH- SM Swing Drives are the preferred choice among leading excavator manufacturers in China.

Tech Hydro is at the forefront of innovation in China, being the first company to design and produce closed-loop Travel Motors. Our TH- BM series Track Motors are widely utilized in Loaders and Agricultural Machinery.

With our skilled technical teams and dedicated service personnel, Tech Hydro offers robust support throughout both the pre- sales and post- sales processes. We invite you to join us on this exciting journey as we drive advancements in the industry and achieve outstanding results together. We look forward to contributing to your success story.



# TH-TM-02 Series

## Key Features

- 2-speed swash-plate piston motor.
- Integrated with Planetary Reducer.
- AKD (Auto Kick Down) is optional.
- Single speed model is optional.
- Optional parking brake.
- Cross-reference: PHV-1B, MAG-12V-120E, TRB44, 700C2K.

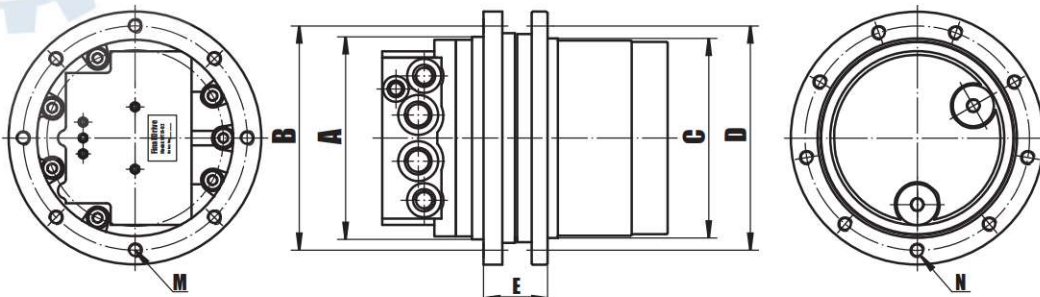


## Specifications

Input Flow	20 L/min	20 L/min	20 L/min
Motor Displacement	7.8/12 cc/r	6.6/15.4 cc/r	7.8/12 cc/r
Working Pressure	210 bar	210 bar	210 bar
2-Speed Switching Pressure	20~70 bar	20~70 bar	20~70 bar
Ratio Options	37	37	37
Max. Output Torque	1500 N.m	1990 N.m	1500 N.m
Max. Output Speed	75 rpm	75 rpm	75 rpm
Machine Application	0.8~2 Ton	0.8~2 Ton	0.8~2 Ton

## Connection Dimensions

Frame Orientation Diameter	A	140 mm	140 mm
Frame Holes P.C.D.	B	155 mm	157 mm
Frame Bolt Pattern	M	8-M10 Equally	8-M10 Equally
Sprocket Orientation Diameter	C	140 mm	140 mm
Sprocket Holes P.C.D.	D	155 mm	157 mm
Sprocket Bolt Pattern	N	9-M10 Equally	8-M10 Equally
Flange Distance	E	45 mm	45 mm
Approximate Weight		20 kg	20 kg



# TH-TM-03 Series

## Key Features

- 2-speed swash-plate piston motor.
- Integrated with Planetary Reducer.
- Optional parking brake.
- AKD (Auto Kick Down) is optional.
- Single speed model is optional.
- Cross-reference: PHV-2B, MAG-18V-230, JMV016, 700-2C2K.

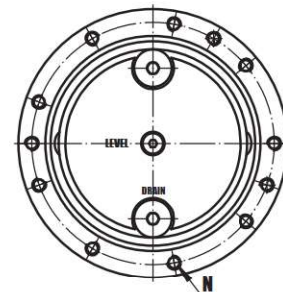
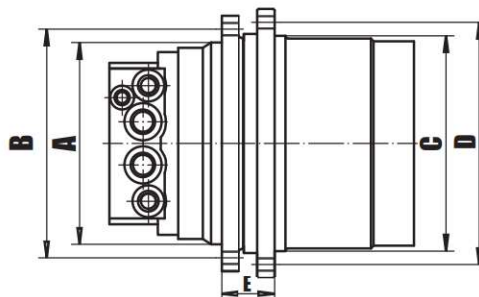
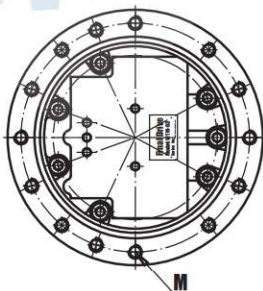


## Specifications

Input Flow	25 L/min	25 L/min	25 L/min
Motor Displacement	16.1/9.1 cc/r	16.1/9.1 cc/r	18/10 cc/r
Working Pressure	210 bar	210 bar	210 bar
2-Speed Switching Pressure	20~70 bar	20~70 bar	20~70 bar
Ratio Options	39	31	39
Max. Output Torque	2100 N.m	1670 N.m	2350 N.m
Max. Output Speed	70 rpm	88.6 rpm	72 rpm
Machine Application	1.5~2.5 Ton	1.5~2.5 Ton	1.5~2.5 Ton

## Connection Dimensions

Frame Orientation Diameter	A	150 mm	150 mm
Frame Holes P.C.D.	B	170 mm	170 mm
Frame Bolt Pattern	M	8-M10 Equally	14-M10 Unequally
Sprocket Orientation Diameter	C	160 mm	160 mm
Sprocket Holes P.C.D.	D	180 mm	180 mm
Sprocket Bolt Pattern	N	9-M10 Equally	9-M10 Equally
Flange Distance	E	40 mm	40 mm
Approximate Weight		40 kg	40 kg



# TH-TM-03D Series

## Key Features

- 2-speed swash-plate piston motor.
- Integrated with Planetary Reducer.
- With Parking brake and optional freewheel.
- AKD (Auto Kick Down) is optional.
- Single speed model is optional.
- Cross-reference: PHV-3B, MAG-18V-350, JMV016(2), JMV 023,701-2C2K, PTM-23/14.

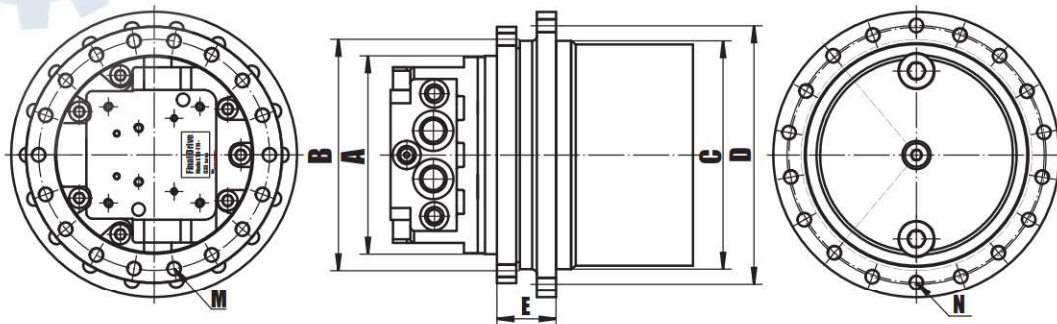


## Specifications

Input Flow	30 L/min	30 L/min	30 L/min	40 L/min	40 L/min
Motor Displacement	18/12 cc/r	18/10 cc/r	18/10 cc/r	23.2/15.4 cc/r	23.2/15.4 cc/r
Working Pressure	210 bar	210 bar	210 bar	210 bar	210 bar
2-Speed Switching Pressure	20~70 bar	20~70 bar	20~70 bar	20~70 bar	20~70 bar
Ratio Options	48.6	53	42	48.6	53
Max. Output Torque	2900 N.m	3188 N.m	2520 N.m	3770 N.m	4100 N.m
Max. Output Speed	68.5 rpm	57 rpm	72 rpm	53.4 rpm	49 rpm
Machine Application	2.5~3.5 Ton	2.5~3.5 Ton	2.5~3.5 Ton	2.5~3.5 Ton	2.5~3.5 Ton

## Connection Dimensions

Frame Orientation Diameter	A	165 mm	165 mm	165 mm
Frame Holes P.C.D.	B	192 mm	192 mm	192 mm
Frame Bolt pattern	M	9 (18)-M12 Equally	9-M12 Equally	9-M12 Equally
Sprocket Orientation Diameter	C	190 mm	190 mm	204 mm
Sprocket Holes P.C.D.	D	212 & 215 mm	215 mm	232 mm
Sprocket Bolt Pattern	N	9-M12 Equally	9-M12 Equally	9-M12 Equally
Flange Distance	E	50 mm	50 mm	50 mm
Approximate Weight		40 kg	45 kg	45 kg



# TH-TM-04 Series

## Key Features

- 2-speed swash-plate piston motor.
- Integrated with Planetary Reducer.
- With Parking brake and optional freewheel.
- AKD (Auto Kick Down) is optional.
- Single speed model is optional.
- Cross-reference: MAG-26V-400, GM04VA, 702-C2K, PGR402.

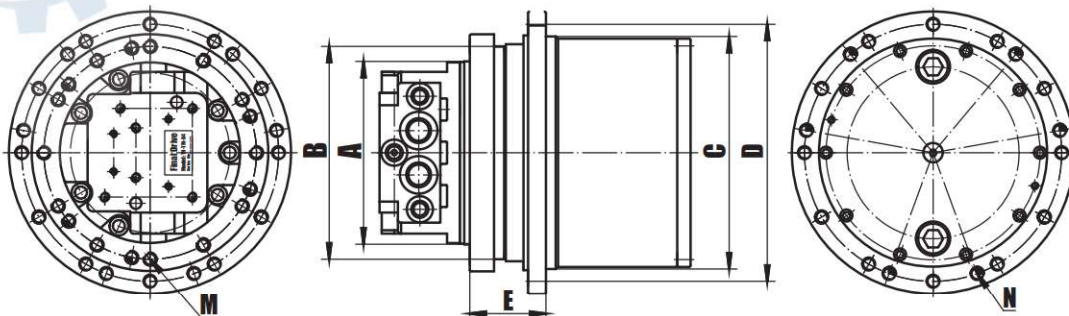


## Specifications

Input Flow	40 L/min	40 L/min	40 L/min	40 L/min
Motor Displacement	24/14 cc/r	24/14 cc/r	24/14 cc/r	20.7/13.4cc/r
Working Pressure	210 bar	210 bar	210 bar	210 bar
2-Speed Switching Pressure	20~70 bar	20~70 bar	20~70 bar	20~70 bar
Ratio Options	52.7	37.8	52.7	52.7
Max. Output Torque	4200 N.m	3000 N.m	4200 N.m	3645 N.m
Max. Output Speed	54 rpm	75.6 rpm	54 rpm	56.6 rpm
Machine Application	3~4 Ton	3~4 Ton	3~4 Ton	3~4 Ton

## Connection Dimensions

Frame Orientation Diameter	A	165 mm	165 mm	165 mm	165 mm
Frame Holes P.C.D.	B	192 mm	192 mm	192 mm	192 mm
Frame Bolt Pattern	M	9-M12 Equally	9-M12 Equally	12-M12	9&12-M12 Equally
Sprocket Orientation Diameter	C	210 mm	210 mm	210 mm	204 mm
Sprocket Holes P.C.D.	D	232 mm	232 mm	232 mm	232 mm
Sprocket Bolt Pattern	N	9-M12 Equally	12-M12 Equally	12-M12	9&12-M12 Equally
Flange Distance	E	70 mm	70 mm	70 mm	70 mm
Approximate Weight		52 kg	52 kg	52 kg	52 kg



# TH-TM-06/06I Series

## Key Features

- 2-speed swash-plate piston motor.
- Integrated with Planetary Reducer.
- With Parking brake and optional freewheel.
- AKD (Auto Kick Down) is optional.
- Single speed model is optional.
- Cross-reference: PHV-4B-60B, PHV-4B-70D, DM05, GM06VA.

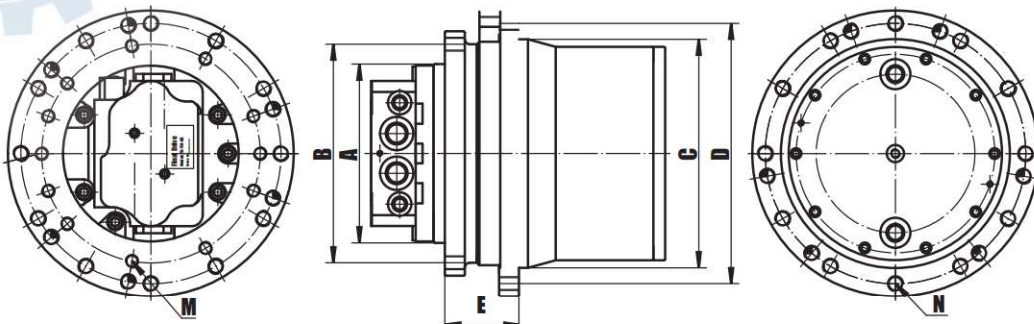


## Specifications

Input Flow	50 L/min	50 L/min	60 L/min
Motor Displacement	34/19 cc/r	34/19 cc/r	36.5/19 cc/r
Working Pressure	245 bar	245 bar	245 bar
2-Speed Switching Pressure	20-70 bar	20-70 bar	20-70 bar
Ratio Options	47.5	36.8	58.4
Max. Output Torque	6300 N.m	4800 N.m	8300 N.m
Max. Output Speed	55 rpm	71 rpm	54 rpm
Machine Application	5-6 Ton	5-6 Ton	5-6 Ton

## Connection Dimensions

Frame Orientation Diameter	A	180 mm	180 mm
Frame Holes P.C.D.	B	220 mm	220 mm
Frame Bolt Pattern	M	9-M14 Equally	9-M14 Equally
Sprocket Orientation Diameter	C	230 mm	230 mm
Sprocket Holes P.C.D.	D	262 mm	262 mm
Sprocket Bolt Pattern	N	9&12-M14 Equally	12-M14 Equally
Flange Distance	E	75 mm	75 mm
Approximate Weight		70 kg	70 kg



# TH-TM-06J Series

## Key Features

- 2-speed swash-plate piston motor.
- Integrated with Planetary Reducer.
- With Parking brake and optional freewheel.
- AKD (Auto Kick Down) is optional.
- Single speed model is optional.
- Cross-reference: Mag-33VP-550F, MAG-33VP-650F, JMV-044, 704C2K.

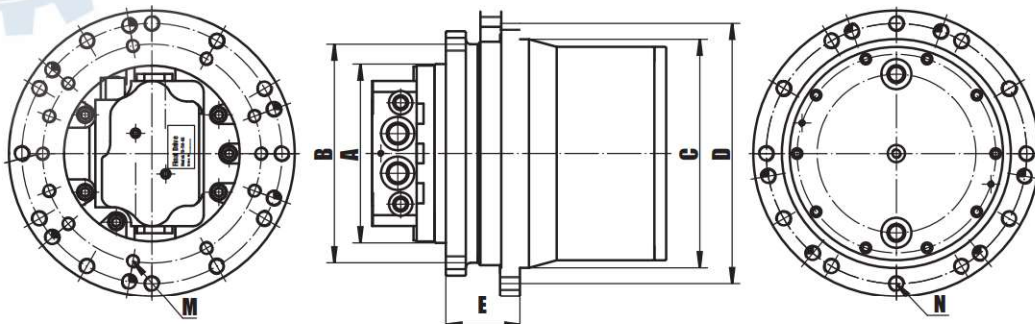


## Specifications

Input Flow	50 L/min
Motor Displacement	34/19 cc/r
Working Pressure	275 bar
2-Speed Switching Pressure	20-70 bar
Ratio Options	55
Max. Output Torque	8100 N.m
Max. Output Speed	48 rpm
Machine Application	5.5-6.5 Ton

## Connection Dimensions

Frame Orientation Diameter	A	200 mm
Frame Holes P.C.D.	B	240 mm
Frame Bolt Pattern	M	9&12-M14 Equally
Sprocket Orientation Diameter	C	230 mm
Sprocket Holes P.C.D.	D	262 mm
Sprocket Bolt Pattern	N	9&12-M14 Equally
Flange Distance	E	68 mm
Approximate Weight		70 kg



# TH-TM-07 Series

## Key Features

- 2-speed swash-plate piston motor.
- Integrated with Planetary Reducer.
- With Parking brake and optional freewheel.
- Auto speed switch is optional.
- Speed sensor is optional.
- Cross-reference: JMV41, TM07VC, 6TM442201.

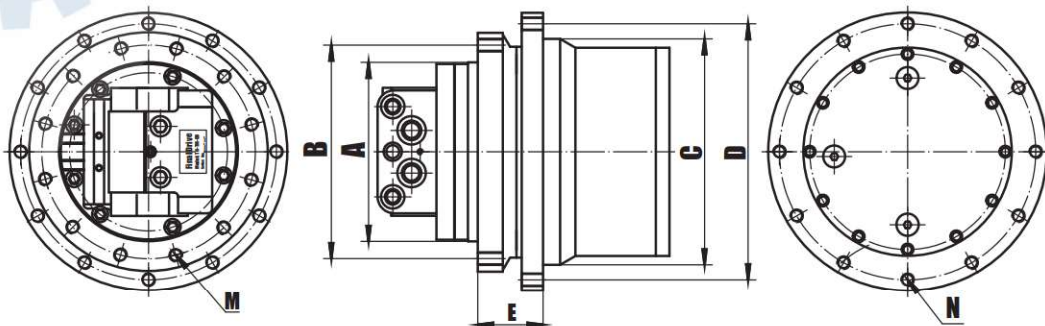


## Specifications

Input Flow	60 L/min	80 L/min	80 L/min
Motor Displacement	44/22 cc/r	53/34 cc/r	53/34 cc/r
Working Pressure	275 bar	275 bar	300 bar
2-Speed Switching Pressure	20~70 bar	20~70 bar	20~70 bar
Ratio Options	53.7	53.7	20.8
Max. Output Torque	10500 N.m	12500 N.m	5260 N.m
Max. Output Speed	50 rpm	44 rpm	113 rpm
Machine Application	6~8 Ton	6~8 Ton	6~8 Ton

## Connection Dimensions

Frame Orientation Diameter	A	210 mm	210 mm	210 mm
Frame Holes P.C.D.	B	244 mm	250 mm	244 mm
Frame Bolt Pattern	M	12-M14 Equally	12-M16 Equally	12-M14 Equally
Sprocket Orientation Diameter	C	250 mm	250 mm	250 mm
Sprocket Holes P.C.D.	D	282 mm	282 mm	282 mm
Sprocket Bolt Pattern	N	12-M14 Equally	12-M14 Equally	12-M14 Equally
Flange Distance	E	68 mm	68 mm	68 mm
Approximate Weight		75 kg	75 kg	75 kg



# TH-TM-09 Series

## Key Features

- 2-speed swash-plate piston motor.
- Integrated with Planetary Reducer.
- With Parking brake and standard freewheel.
- Separated brake control available.
- Speed sensor is optional.
- Cross-reference: PHV-5B, DM09, MAG-44VP-800, MAG-50VP-900, GM09VN, GM10VA, TM10VD, JMV047.

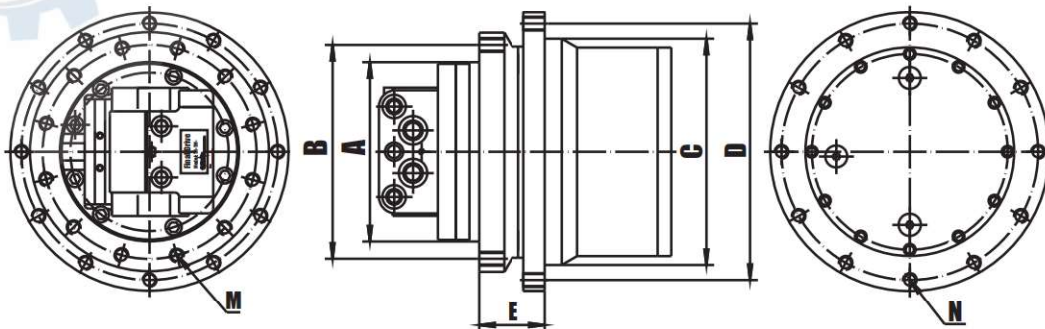


## Specifications

Input Flow	80 L/min	80 L/min
Motor Displacement	53/34 cc/r	50/28 cc/r
Working Pressure	300 bar	300 bar
2-Speed Switching Pressure	20~70 bar	20~70 bar
Ratio Options	45.57	45.57
Max. output Torque	11500 N.m	10860 N.m
Max. Output Speed	51 rpm	62 rpm
Machine Application	7~9 Ton	7~9 Ton

## Connection Dimensions

Frame Orientation Diameter	A	210 mm	210 mm	210 mm	210 mm
Frame Holes P.C.D.	B	250 mm	250 mm	250 mm	250 mm
Frame Bolt Pattern	M	12-M16	12-M16	14-M16	12-M16
Sprocket Orientation Diameter	C	265 mm	265 mm	265 mm	265 mm
Sprocket Holes P.C.D.	D	300 mm	300 mm	300 mm	300 mm
Sprocket Bolt Pattern	N	12-M14	12-M16	14-M14	15-M14
Flange Distance	E	80 mm	80 mm	80 mm	80 mm
Approximate Weight		95 kg	95 kg	95 kg	95 kg



# TH-TM-0902 Series

## Key Features

- Compact design.
- 2-speed swash-plate piston motor.
- Integrated with Planetary Reducer.
- With Parking brake and optional freewheel.
- Cross-reference: GFT 9T2, 705C2K.

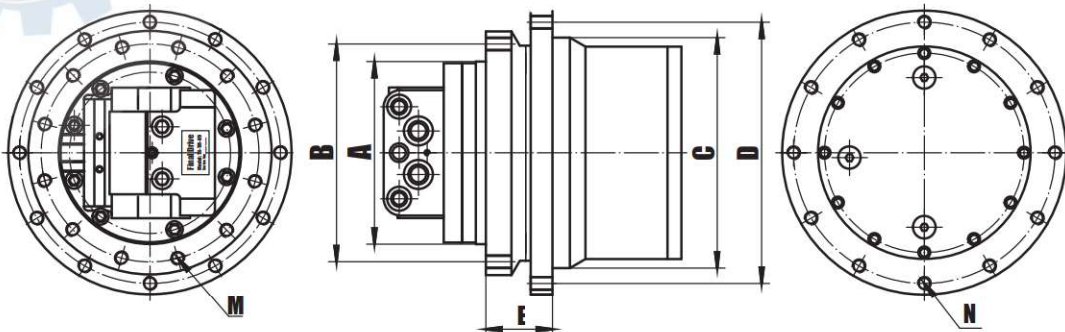


## Specifications

Input Flow	60 L/min
Motor Displacement	45/23 cc/r
Working Pressure	275 bar
2-Speed Switching Pressure	20-70 bar
Ratio Options	55.3
Max. Output Torque	11000 N.m
Max. Output Speed	47 rpm
Machine Application	7-9 Ton

## Connection Dimensions

Frame Orientation Diameter	A	210 mm	210 mm	210 mm
Frame Holes P.C.D.	B	244 mm	244 mm	244 mm
Frame Bolt Pattern	M	12-M14 Equally	12-M14 Equally	12-M14 Equally
Sprocket Orientation Diameter	C	230 mm	230 mm	230 mm
Sprocket Holes P.C.D.	D	260 mm	260 mm	260 mm
Sprocket Bolt Pattern	N	16-M16 Equally	12-M16 Equally	12-M14 Equally
Flange Distance	E	60 mm	60 mm	75 mm
Approximate Weight		70 kg	70 kg	70 kg



# TH-TM-10 Series

## Key Features

- 2-speed swash-plate piston motor.
- Integrated with Planetary Reducer.
- With Parking brake and standard freewheel.
- Separated brake control available.
- Speed sensor is optional.
- Cross-reference: TM10, GM10.
- Auto speed switch is optional.

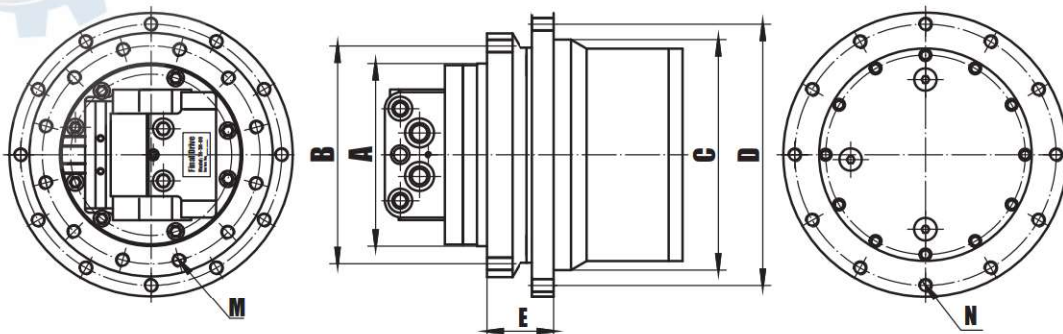


## Specifications

Input Flow	80 L/min	80 L/min
Motor Displacement	53/34 cc/r	50/28 cc/r
Working Pressure	300 bar	300 bar
2-Speed Switching Pressure	20~70 bar	20~70 bar
Ratio Options	54.4	54.4
Max. Output Torque	13700 N.m	12800 N.m
Max. Output Speed	48 rpm	55 rpm
Machine Application	9~11 Ton	9~11 Ton

## Connection Dimensions

Frame Orientation Diameter	A	210 mm
Frame Holes P.C.D.	B	250 mm
Frame Bolt Pattern	M	12-M16 Equally
Sprocket Orientation Diameter	C	265 mm
Sprocket Holes P.C.D.	D	300 mm
Sprocket Bolt Pattern	N	12-M14 Equally
Flange Distance	E	80 mm
Approximate Weight		100 kg



# TH-TM-18 Series

## Key Features

- 2-speed swash-plate piston motor.
- Integrated with Planetary Reducer.
- With Parking brake and optional freewheel.
- Cross-reference: TM18VC, GM18VL, 14TM.

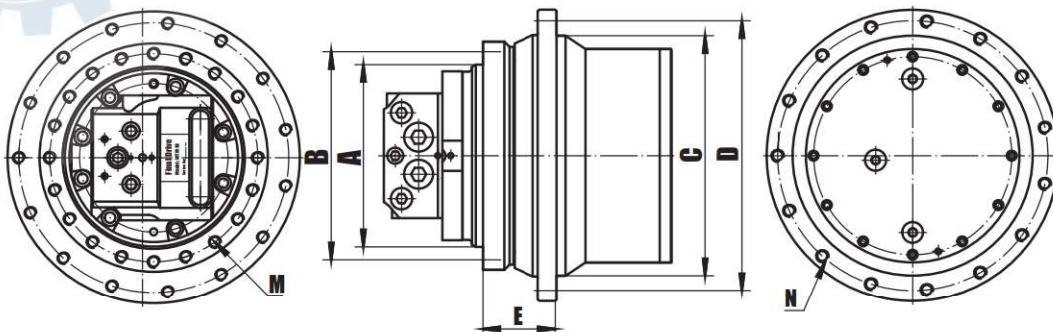


## Specifications

Input Flow	130 L/ min
Motor Displacement	67/43 cc/r
Working Pressure	300 bar
2-Speed Switching Pressure	20~70 bar
Ratio Options	53
Max. Output Torque	16900 N.m
Max. Output Speed	57 rpm
Machine Application	10~13 Ton

## Connection Dimensions

Frame Orientation Diameter	A	246 mm
Frame Holes P.C.D.	B	280 mm
Frame Bolt Pattern	M	20-M16 Equally
Sprocket Orientation Diameter	C	324 mm
Sprocket Holes P.C.D.	D	364 mm
Sprocket Bolt Pattern	N	15-M16 Equally
Flange Distance	E	100 mm
Approximate Weight		135 kg



# TH-TM-22 Series

## Key Features

- 2-speed swash-plate piston motor.
- Integrated with Planetary Reducer.
- With Parking brake and standard freewheel.
- Cross-reference: MAG-85VP-2400, TM22VC, GM21VC, JMV076.

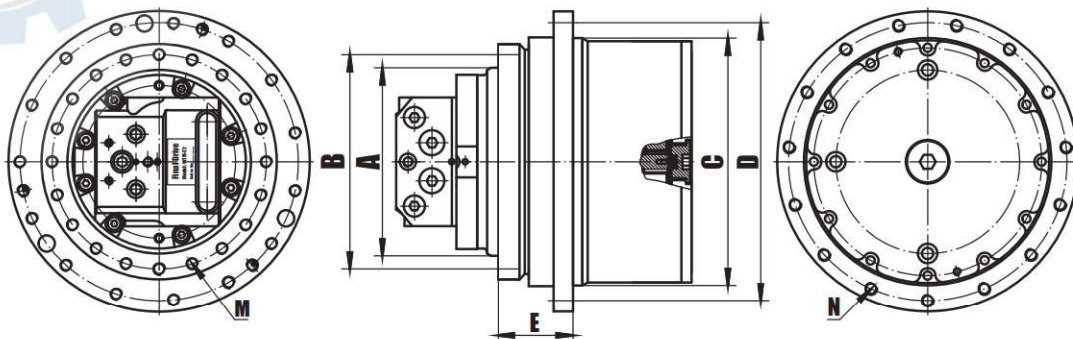


## Specifications

Input Flow	150 L/min	150 L/min	150 L/min
Motor Displacement	82/54 ccr	82/54 ccr	110/72 ccr
Working Pressure	275 bar	340 bar	275 bar
2-Speed Switching Pressure	20~70 bar	20~70 bar	20~70 bar
Ratio Options	26.5	53.7	53.7
Max. Output Torque	9500 N.m	24000 N.m	25800 N.m
Max. Output Speed	104 rpm	51 rpm	38 rpm
Machine Application	10~12 Ton	13~16 Ton	10~12 Ton

## Connection Dimensions

Frame Orientation Diameter	A	246 mm
Frame Holes P.C.D.	B	280 mm
Frame Bolt Pattern	M	20-M16 Equally
Sprocket Orientation Diameter	C	324 mm
Sprocket Holes P.C.D.	D	364 mm
Sprocket Bolt Pattern	N	15+3-M16 Equally
Flange Distance	E	100 mm
Approximate Weight		150 kg



# TH-TM-22C Series

## Key Features

- 2-speed swash-plate piston motor.
- Integrated with Planetary Reducer.
- With Parking brake and standard freewheel.
- Cross-reference: MAG-85VP-1800.

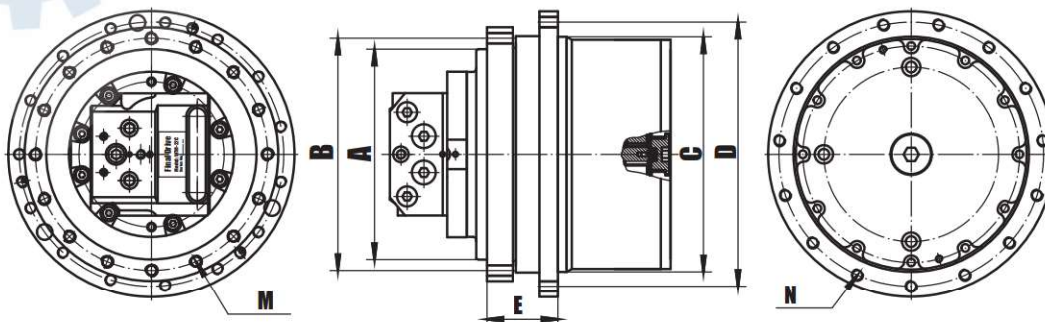


## Specifications

Input Flow	150 L/ min
Motor Displacement	80/47 cc/r
Working Pressure	300 bar
2-Speed Switching Pressure	20~70 bar
Ratio Options	53
Max. Output Torque	20500 N.m
Max. Output Speed	59 rpm
Machine Application	12~16 Ton

## Connection Dimensions

Frame Orientation Diameter	A	290 mm
Frame Holes P.C.D.	B	320 mm
Frame Bolt Pattern	M	16-M16 Equally
Sprocket Orientation Diameter	C	324 mm
Sprocket Holes P.C.D.	D	364 mm
Sprocket Bolt Pattern	N	15+3-M16 Equally
Flange Distance	E	85 mm
Approximate Weight		150 kg



# TH-TM-30 Series

## Key Features

- 2-speed swash-plate piston motor.
- Integrated with Planetary Reducer.
- With Parking brake and standard freewheel.
- Cross-reference: TM30 Series.

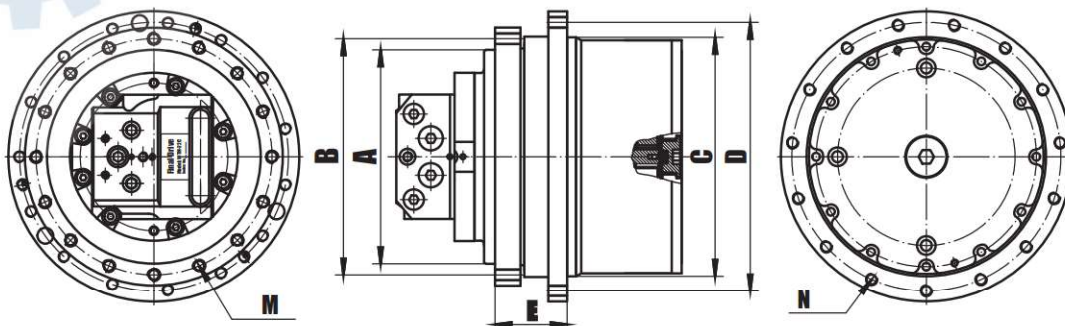


## Specifications

Input Flow	150 L/ min
Motor Displacement	82/54 cc/r
Working Pressure	300 bar
2-Speed Switching Pressure	20~70 bar
Ratio Options	85
Max. Output Torque	33000 N.m
Max. Output Speed	32.6 rpm
Machine Application	18~22 Ton

## Connection Dimensions

Frame Orientation Diameter	A	246 mm
Frame Holes P.C.D.	B	280 mm
Frame Bolt Pattern	M	20-M16 Equally
Sprocket Orientation Diameter	C	324 mm
Sprocket Holes P.C.D.	D	364 mm
Sprocket Bolt Pattern	N	15+3-M16 Equally
Flange Distance	E	100 mm
Approximate Weight		150 kg



# TH-TM-40 Series

## Key Features

- 2-speed swash-plate piston motor.
- Integrated with Planetary Reducer.
- With Parking brake and standard freewheel.
- Separated brake control available.
- Thread port and flange port available.
- Cross-reference: MAG-170VP-3800, TM40VA, GM38VB, JMV147, 710C2K.

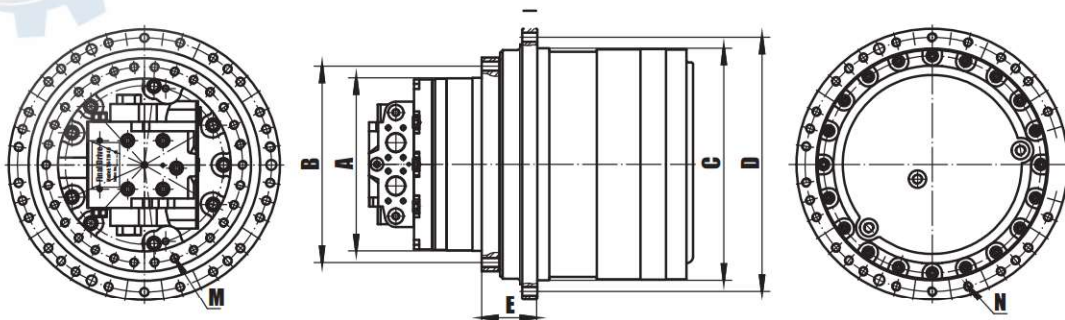


## Specifications

Input Flow	260 L/ min	260 L/ min	260 L/ min
Motor Displacement	169/92 cc/r	180/95 cc/r	180/95 cc/r
Working Pressure	350 bar	343 bar	343 bar
2-Speed Switching Pressure	20~70 bar	20~70 bar	20~70 bar
Ratio Options	50	48	50.5
Max. Output Torque	47000 N.m	47100 N.m	49600 N.m
Max. Output Speed	54.8 rpm	57 rpm	54rpm
Machine Application	18~22 Ton	18~22 Ton	18~22 Ton

## Connection Dimensions

Frame Orientation Diameter	A	300 mm
Frame Holes P.C.D.	B	340 mm
Frame Bolt Pattern	M	30-M16 Equally
Sprocket Orientation Diameter	C	402 mm
Sprocket Holes P.C.D.	D	440 mm
Sprocket Bolt Pattern	N	30-M16
Flange Distance	E	98 mm
Approximate Weight		320 kg



# TH-TM-60 Series

## Key Features

- 2-speed swash-plate piston motor.
- Integrated with Planetary Reducer.
- With Parking brake and standard freewheel.
- Separated brake control available.
- Thread port.
- Cross-reference: MAG-230VP-6000, TM50VC, GM60VA, JMV155.

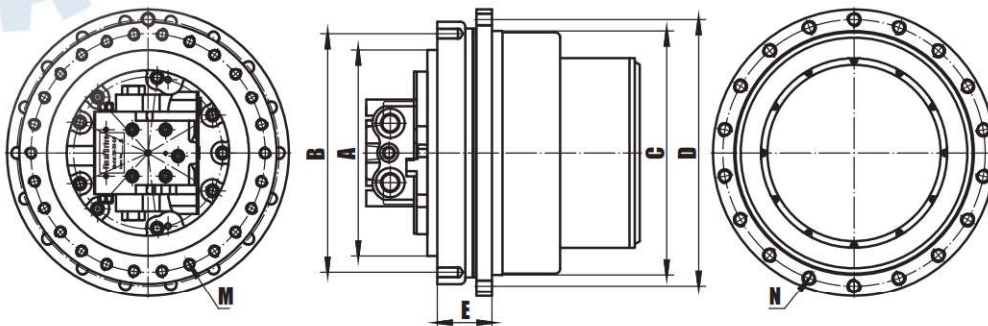


## Specifications

Input Flow	300 L/ min	210 L/ min
Motor Displacement	180/110 cc/r	105/59 cc/r
Working Pressure	343 bar	280 bar
2-Speed Switching Pressure	20-70 bar	20-70 bar
Ratio Options	64.8	135
Max. Output Torque	63680 N.m	63200 N.m
Max. Output Speed	42 rpm	26 rpm
Machine Application	25-32 Ton	30-45 Ton

## Connection Dimensions

Frame Orientation Diameter	A	380 mm	380 mm	280 mm
Frame Holes P.C.D.	B	440 mm	440 mm	325 mm
Frame Bolt Pattern	M	26-M20 Equally	18-M24 Equally	24-M20 Equally
Sprocket Orientation Diameter	C	450 mm	435 mm	402 mm
Sprocket Holes P.C.D.	D	492 mm	472 mm	440 mm
Sprocket Bolt Pattern	N	18-M24 Equally	24-M20 Equally	22+8-M16
Flange Distance	E	102 mm	102 mm	110 mm
Approximate Weight		400 kg	360 kg	240 kg



# TH-TM-75 Series

## Key Features

- Highly efficient swash plate axial piston motor.
- 2-speed motor with a high ratio for various applications.
- Build-in parking brake.
- Compact structure and light weight.
- Reliable quality and long-lasting durability.
- Cross-reference: TM60VD, TM70VC.

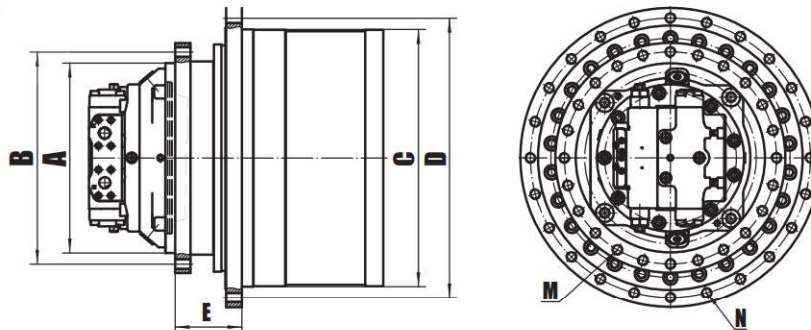


## Specifications

Input Flow	300 L/ min	300 L/ min
Motor Displacement	185/115 cc/r	270/160 cc/r
Working Pressure	343 bar	343 bar
2-Speed Switching Pressure	20~70 bar	20~70 bar
Ratio Options	70	50
Max. Output Torque	70060 N.m	66200 N.m
Max. Output Speed	35 rpm	37.7 rpm
Machine Application	34~40 Ton	34~40 Ton

## Connection Dimensions

Frame Orientation Diameter	A	380 mm	380 mm
Frame Holes P.C.D.	B	425 mm	425 mm
Frame Bolt Pattern	M	26-M20 Equally	20-M24 Equally
Sprocket Orientation Diameter	C	450 mm	490 mm
Sprocket Holes P.C.D.	D	490 mm	535 mm
Sprocket Bolt Pattern	N	24-M20 Equally	28-M20 Equally
Flange Distance	E	112 mm	112 mm
Approximate Weight		450 kg	450 kg



# TH-TM-80 Series

## Key Features

- Highly efficient swash plate axial piston motor.
- 2-speed motor with a high ratio for various applications.
- Build-in parking brake.
- Compact structure and light weight.
- Reliable quality and long-lasting durability.
- Other displacement and ratio are available

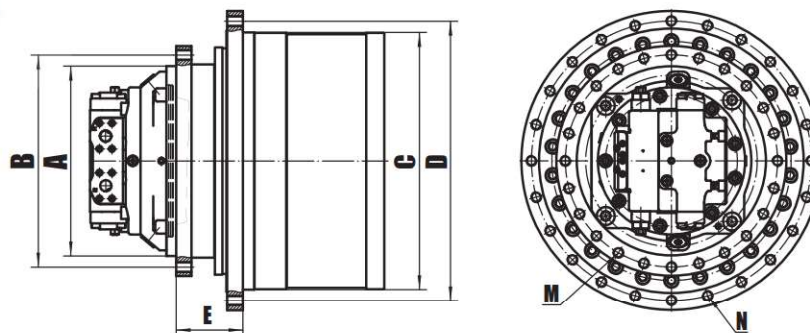


## Specifications

Input Flow	230 L/ min
Motor Displacement	110/64 cc/r
Working Pressure	280 bar
2-Speed Switching Pressure	20~70 bar
Ratio Options	-162
Max. Output Torque	79450 N.m
Max. Output Speed	22 rpm
Machine Application	40~50 Ton

## Connection Dimensions

Frame Orientation Diameter	A	280 mm
Frame Holes P.C.D.	B	325 mm
Frame Bolt Pattern	M	24-M20 Equally
Sprocket Orientation Diameter	C	410 mm
Sprocket Holes P.C.D.	D	455 mm
Sprocket Bolt Pattern	N	24-M20 Equally
Flange Distance	E	110 mm
Approximate Weight		400 kg



# TH-TM-85 Series

## Key Features

- Highly efficient swash plate axial piston motor.
- 2-speed motor with a high ratio for various applications.
- Build-in parking brake.
- Compact structure and light weight.
- Reliable quality and long-lasting durability.

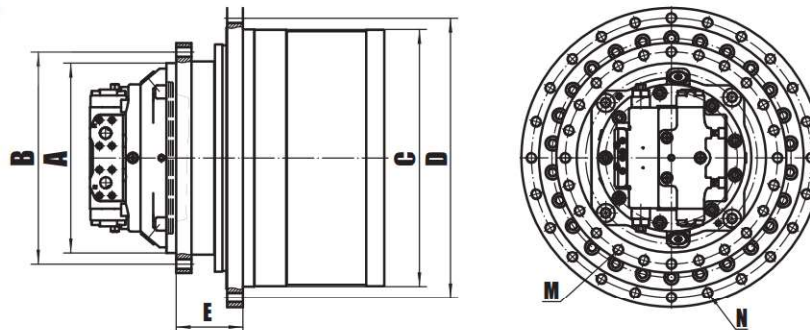


## Specifications

Input Flow	370 L/ min
Motor Displacement	290/170 cc/r
Working Pressure	350 bar
2-Speed Switching Pressure	20~70 bar
Ratio Options	60.6
Max. Output Torque	96285 N.m
Max. Output Speed	35.8 rpm
Machine Application	42~50 Ton

## Connection Dimensions

Frame Orientation Diameter	A	410 mm
Frame Holes P.C.D.	B	455 mm
Frame Bolt Pattern	M	27-M24 Equally
Sprocket Orientation Diameter	C	570 mm
Sprocket Holes P.C.D.	D	620 mm
Sprocket Bolt Pattern	N	24-M24 Equally
Flange Distance	E	148 mm
Approximate Weight		650 kg



# TH-TM-100 Series

## Key Features

- Highly efficient swash plate axial piston motor.
- 2-speed motor with a high ratio for various applications.
- Build-in parking brake.
- Compact structure and light weight.
- Reliable quality and long-lasting durability.

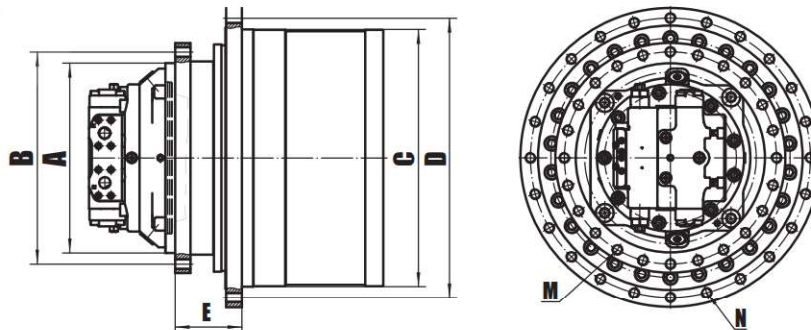


## Specifications

Input Flow	450 L/ min
Motor Displacement	304/175 cc/r
Working Pressure	400 bar
2-Speed Switching Pressure	20~70 bar
Ratio Options	60.6
Max. Output Torque	100500 N.m
Max. Output Speed	33.7 rpm
Machine Application	58~60 Ton

## Connection Dimensions

Frame Orientation Diameter	A	420 mm
Frame Holes P.C.D.	B	470 mm
Frame Bolt Pattern	M	24-M24 Equally
Sprocket Orientation Diameter	C	570 mm
Sprocket Holes P.C.D.	D	620 mm
Sprocket Bolt Pattern	N	24-M24 Equally
Flange Distance	E	148 mm
Approximate Weight		700 kg





# 700CT SERIES TRACK DRIVE

The TH-BM-700CT series Track Drives are exceptionally compact, lightweight, efficient, and easy to operate traveling devices that incorporate Axial Piston Hydraulic Motors along with Planetary Reducers. Featuring a high-efficiency dual displacement motor equipped with a flushing valve, these drives are ideal for closed-loop applications. The robust gearbox is designed for high strength and offers a broad gear ratio range of 19 to 53, making it suitable for various torque outputs. This series is extensively utilized in Compact Track Loaders, Dozers, Pavers, Harvesters, Soil Compactors, as well as other Forestry and Agricultural Machinery.

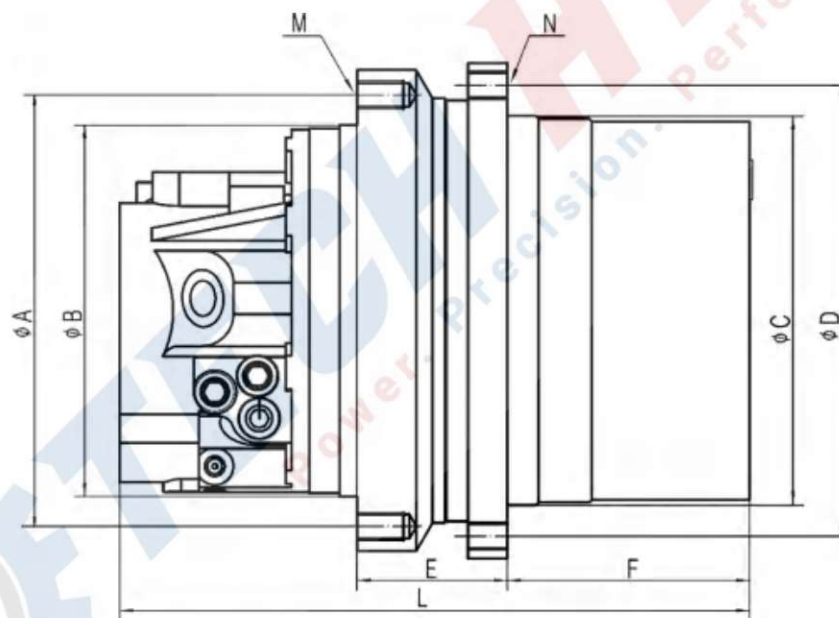
- **Compact design**
- **High efficiency**
- **Rugged structure**
- **High load capacity**
- **Wide ration range**
- **Separated brake port**
- **Inside flushing valve**
- **Optional Speed Sensor**





## Specifications

Model	WBM-704CT	WBM-707TD	WBM-707CT	WBM-709CT
Max. Output Torque	3700 N.m	7300 N.m	10500 N.m	11500 N.m
Max. Output Speed	115 rpm	80 rpm	50 rpm	50 rpm
Max Working Pressure	275 bar	300 bar	275 bar	300 bar
Machine Application	2.5~3.5 Ton	5~6.5 Ton	6~8 Ton	7~9 Ton



## Connection Dimensions

Model	A	B	C	E	F	L	M	M
WBM-704CT	244	210	220	75	136	355	12-M16	12-M16
WBM-707TD	275	240	250	110	151	393	18-M16	18-M16
WBM-707CT	244	210	250	68	157	360	12-M14	12-M14
WBM-709CT	250	210	265	80	150	365	12-M16	12-M16

# PCR Swing Motor

## Key Features

- The PCR series Swing Motor is consisted of high efficiency swashplate piston Motor and planetary reducing gearbox.
- Integrated fail-safe mechanical parking brake, brake release valve, shockless relief and antireverse valves.
- Small volume, smooth transmission, low noise, multi-level security protection and long life.
- Widely used in track driving equipments such as Excavators, Concrete pump, Crane and Drilling Equipments.

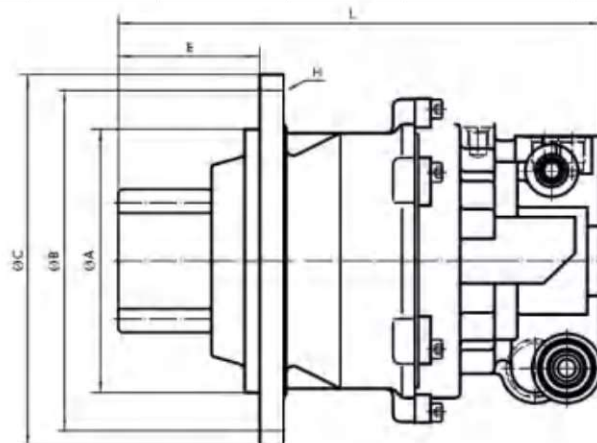


## Specifications

Model	PCR-10-10	PCR-16-21	PCR-24-21	PCR-34-23
Input Flow	14 L/min	25 L/min	45 L/min	50 L/min
Motor Displacement	23.6 ml/r	12.5 ml/r	20 ml/r	34 ml/r
Max Working Pressure	21 Mpa	21 Mpa	21 Mpa	21 Mpa
Control Oil Pressure	2~7 Mpa	2~7 Mpa	2~7 Mpa	2~7 Mpa
Brake Release Pressure	1.5 Mpa	1.5 Mpa	1.5 Mpa	1.5 Mpa
Gear Ratio	10	21.5	21.5	23.2
Max. Output Torque	625 N.m	1000 N.m	1445 N.m	2700 N.m
Max. Output Speed	60 r/min	90 r/min	90 r/min	60 r/min
Machine Application	1~2 Ton	2~3 Ton	4~6 Ton	6~8 Ton

## Connection Dimensions

Model	A	B	C	E	H	L	Shaft Gear
PCR-10-10	110	168	193	67	6-Φ13	264	M5-13T
PCR-16-21	150	210	242	92	6-Φ17(2-M16)	278	M5-13T
PCR-24-21	175	220	248	94	10-Φ17	278	M7-11T
PCR-34-23	190	250	280	112	8-Φ17(2-M16)	375	M7-14T



# TH-SM Swing Motor

## Key Features

- Consisted of high efficiency swashplate piston Motor and planetary reducing gearbox.
- Built-in Relief Valve, Anti-reverse Valve, Parking Brake.
- Compact design with small volume.
- Smooth transmission and low noise.
- Excellent performance and long durability.
- Connection dimensions are perfect interchangeable with the famous brands.
- Widely used in various Excavators, Concrete pump, Crane and Drilling Equipments..

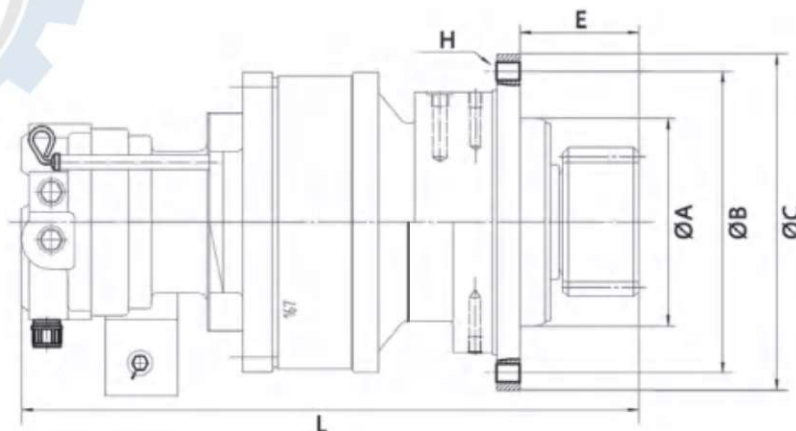


## Specifications

Model	WSM-30	WSM-43	WSM-64	WSM-80	WSM-151
Input Flow	60 L/min	60 L/min	60 L/min	60 L/min	60 L/min
Motor Displacement	30 ml/r	30 ml/r	30 ml/r	30 ml/r	30 ml/r
Max Working Pressure	21 Mpa	21 Mpa	21 Mpa	21 Mpa	21 Mpa
Gear Ratio	19.46	19.46	19.46	19.46	19.46
Max. Output Torque	1940 N.m	1940 N.m	1940 N.m	1940 N.m	1940 N.m
Max. Output Speed	103 r/min	103 r/min	103 r/min	103 r/min	103 r/min
Weight	80 kg	80 kg	80 kg	80 kg	80 kg
Machine Application	5~6 Ton	5~6 Ton	5~6 Ton	5~6 Ton	5~6 Ton

## Connection Dimensions

Model	A	B	C	E	H	L	Shaft Gear
WSM-30	200	275	312	98.5	7-Φ18	502	M7-13T
WSM-43	200	275	312	98.5	7-Φ18	502	M8-13T
WSM-64	200	290	323	114.5	9-Φ18	595	M10-12T
WSM-80	200	290	323	114.5	9-Φ18	595	M10-12T
WSM-151	310	360	410	114.5	12-Φ22	767	M12-13T



# TH-M2X/M5X Swing Motor

## Key Features

- Consisted of high efficiency swashplate piston Motor and planetary reducing gearbox.
- Built-in Relief Valve, Anti-reverse Valve, Parking Brake.
- Compact design with small volume.
- Smooth transmission and low noise.
- Excellent performance and long durability.
- Connection dimensions are perfect interchangeable with the famous brands.
- Widely used in various Excavators, Concrete pump, Crane and Drilling Equipments..

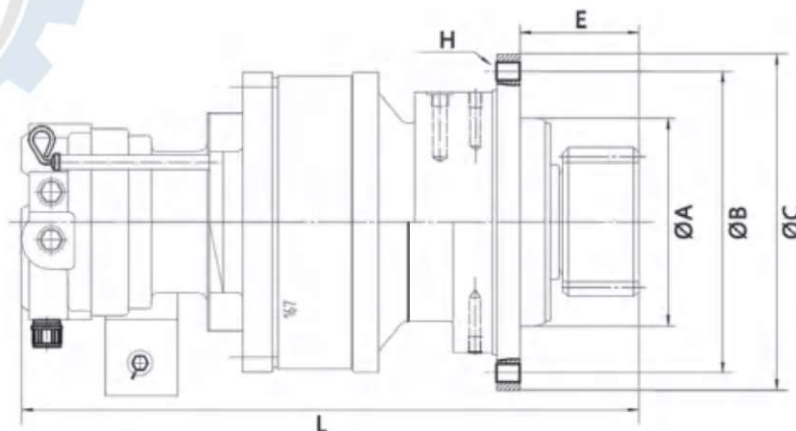


## Specifications

Model	M2X63-19	M5X130-20	M5X170-20	M5X250-19
Input Flow	140 L/min	234 L/min	225 L/min	380 L/min
Motor Displacement	64 cc/r	130 cc/r	169.4 cc/r	250 cc/r
Max Working Pressure	24 Mpa	25.5 Mpa	25.5 Mpa	27.5 Mpa
Gear Ratio	19.2	20	20	19.5
Rated Output Torque	4700 N.m	10500 N.m	13800 N.m	21424 N.m
Max. Output Speed	114 rpm	80.5 rpm	66.6 rpm	77.6 rpm
Machine Application	12~15 Ton	15~20 Ton	20~23 Ton	25~35 Ton

## Connection Dimensions

Model	A	B	C	E	H	L	Shaft Gear
M2X63-19	Φ200	Φ290	Φ323	115	6-Φ18+Φ20	609	M10-Z12
M5X130-20	Φ310	Φ360	Φ410	155	11-Φ22+Φ24	800	M12-Z13
M5X170-20	Φ345	Φ400	Φ450	179.5	14-Φ24	870	M12-Z13
M5X250-19	Φ350	Φ430	Φ480	179.5	12-Φ26	760	M12-Z13



## NINGBO TECH HYDRO CO. LTD.

---

TEL: +86 574 8702 1030

EMAIL: [Sales@techhydro.com.cn](mailto:Sales@techhydro.com.cn)

WEB: [www.techhydro.com.cn](http://www.techhydro.com.cn)

