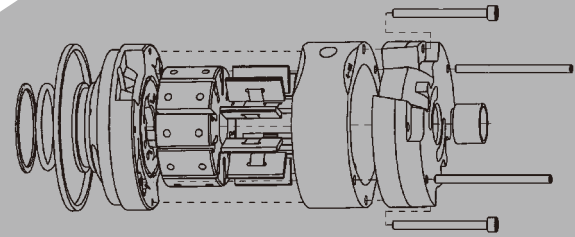
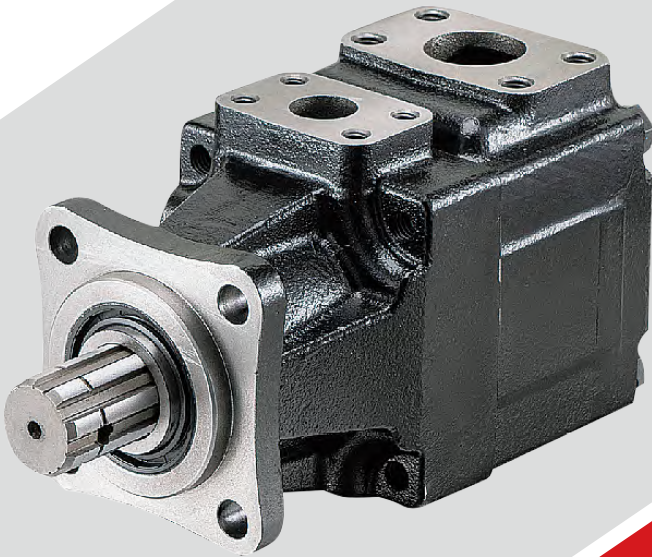




VANE PUMPS MOTOR'S & CARTRIDGE KITS



HYDRAULIC

FOR ALL TECHNICAL SPECIFICATION OR DRAWINGS PLEASE
CONTACT OUR TEAM OR EMAIL US :
SALES@TECHHYDRO.COM.CN
WWW.TECHHYDRO.COM.CN

Ningbo Tech-Hydro Co. Ltd



119-2924	178-6539	119-2924	211-0546	2P7830	3906022	4W2448	6I1346	5I6017	1W1695
1W1695	1W1700	105-2508	4W0788	4N2511	1252989	1550067	1550068	1593137	1615719
1727765	1727766	1727767	1727772	1727775	1727776	1767000	1786633	1354925	1354926
2027676	2194452	2364413	2807373	2P0661	2P0662	2W8001	2W8002	2W8003	2W1223
2W1225	4N7498	5I7693	6N6015	7C4508	7C4957	7E6843	1002870	1U2652	1U2664
1U2665	1U2667	1U2668	1U2669	1U2670	1U2671	1U3505	1U3519	1U3953	3G1266
3G1267	3G1268	3G1269	3G1270	3G1271	3G2195	3G2196	3G2200	3G2233	3G2234
3G2235	3G2236	3G2237	3G2238	3G2251	3G2717	3G2718	3G2719	3G2720	3G2721
3G2722	3G2746	3G2749	3G2751	3G2752	3G2806	3G2834	3G2835	3G2837	3G7651
3G7652	3G7653	3G7654	3G7655	3G7656	3G7657	3G7658	3G7659	3G7660	3G7661
3G7662	3G7663	3G7664	3G7666	3G7667	4T0417	4T0422	4T1893	4T2008	4T2626
4T6869	5J7517	6E2387	6E2396	6E4258	6E4719	7G0565	7J0554	7J0558	7J0559
7J0562	7J0563	7J0566	7J0568	7J0570	7J0572	7J0573	115-0637	2P9239	3G4768
3P6814	3P6816	3P0380	3P4002	3P4405	3S2616	3S4386	4N4864	4N4873	4W5479
5H1719	5M7864	7S4629	8J2022	1U2738	4T3122	9T7765	9T8452	9T7761	8J2037
8J2015	4T3272	4T3122	1U2738	9T3868	9T3018	9T7765	9T4180	9J8660	9J2417
9J8667	9T7774	9T8448	9T7757	9J3522	9T3863	9T3026	9T7774	9T4176	9J5758
3G2859	6E1332	9T7775	9T8455	9T1633	1U3444	9J7860	3G4745	6E1332	9J7142
9T2232	9T3030	6E1875	9T9460	4T7022	4T7024	4T7023	9T7767	9T8450	9T7759
9T3860	9T3019	9T4136	1U0406	3G9671	3G4779	9T7768	9T8449	9T7758	1U0406
3G9671	3G4779	9T3020	3G4779	9T7768	8J6296	8J5592	9T7783	9T8629	9T1634
3G2331	3G2332	8J0537	8J6802	3G4604	6E4935	9T2016	9T3039	3G1719	9T9461
9T4137	3G1708	3G1689	3G1707	8J8652	3G1688	9T3017	3G3690	9T7764	245-4324
8N1188	1N4304	7S7070	8N6796	8N1187	8S3970	4N3714	1105096	1105097	7N0858
7W2225	7W2243	7N0848	1343884	1N3574-A	1N3574-B	1N3576-A	1N3576-B	2128566-A	2128566-B
300	3200	3300	3400	3500	C9	C10	C12	C15	C16

NOTE: All above original manufacturer names, logos and part numbers are only for reference purposes only.



Contents

All Rights Reserved by Ningbo Tech-Hydro Co. Ltd.

T6, T7 Series-single pumps.....	01
T6, T67, 17 Series-double pumps.....	07
T6, T67, 17 Series-triple pumps.....	13
T6GC, T6GB Series-single pumps.....	18
T6GCC, T67GCB, T7GBB Series-double pumps.....	19
T6DR Series-vane pumps.....	21
T7EE, T7EES Series-vane pumps.....	22
T6, T7 Series-cartridge.....	24
V Series-single pumps.....	26
V Series-double pumps.....	29
V Series-cartridge.....	32
VQ Series-single pumps.....	33
VO Series-double pumps.....	37
V0 Series-cartridge.....	42
28VOH Series-cartridge.....	43
30VQ Series-vane pumps.....	44
30V0 Series-cartridge.....	45
VQT Series-vane pumps.....	46
4525VQSV10 Series-vane pumps.....	51
2520VQSV10 Series-vane pumps.....	54
3525VQSV10 Series-vane pumps.....	55
V10, V20 Series-vane pumps.....	57
V2010, V2020 Series-double pumps.....	59
SQP Series-single pumps.....	62
SQP Series-double pumps.....	66
PV2R Series-vane pumps.....	73
M Series-wanemotor.....	79

※ All original manufacturers' names, part numbers and description are for reference purposes only and it doesn't imply that any Part listed is the product of these manufacturers.

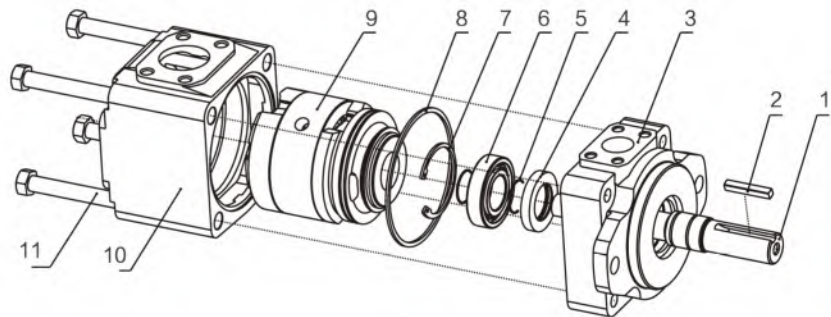
T6, T7 Series-pin Vane Pumps

High pressure and high performance dowel pin type vane pumps are widely used for plastic machinery, casting machinery, metallurgy machinery, pressing machinery, refining machinery, construction machinery, marine-Machinery.

Features

1. With dowel pin vane structure, it can work in high pressure, low noise and long lifetime.
2. This vane pump can fit wide viscosity hydraulic medium, and be started at low temperature and work at high temperature.
3. As the vane pump adopts bilabial structure vane, it has high oil pollution resistance and wide speed scope.

T6, T7 Series-single Pumps



NO.	Part	Qty	NO.	Part	Qty	NO.	Part	Qty
1	shaft	1	5	cir clip for shaft	2	9	cartridge kit	1
2	straight key	1	6	ball bearing	1	10	rear cover	1
3	front cover	1	7	cir clip for hole	1	11	Hexagon head bolt	4
4	shaft seal	1	8	rectangle seal ring	1			

Model Designation

T7B	S	-B10	-1	R	00	-A	1	01			
Series	Type Code	Flow code	Shaft type	Rotation	Outlet positions	Design number	Sealing Level	Port dimensions			
T7B	No: ISO 3019	B02, B03, B04, B05, B06, B07, B08, B10, B12, B15, B20	See of shaft			A	1-S1, NBR Nitrile rubber	00, 01, See installation dimensions			
T7D	Installation Flange S: SAE J744	B14, B17, B20, B22, B24, B28, B31, B35, B38, B42						(Viewed from shaft end of pump)	Opposite inlet port	5-S5, Fluororubber	No
T7E	installation flange	042, 045, 050, 052, 054, 057, 062, 066, 072, 085									
T6C	NO: industrial type M: truck type P: truck type double seal kits	003/B03, 005/B05, 006/B06, 008/B08, 010/B10, 012/B12, 014/B14, 017/B17, 020/B20, 022/B22, 025/B25, 028/B28, 031/B31						left hand for counter- clockwise	90° CCW from inlet 90° CW from inlet		
T6D		014/B14, 017/B17, 020/B20, 024/B24, 028/B28, 031/B31, 035/B35, 038/B38, 042/B42, 045/B45, 050/B50, 061									
T6E		042, 045, 050, 052, 057, 062, 066, 072, 085									

003/B03 In displacement code, 0 means single steering valve plate structure, B means the two steering valve plate structure.

Technical Data

series	Flow code (USgpm)	Geometric displacement mL/r	Max.pressure Mpa						Max.speed r/min		Min. speed r/min
			Antiwear hydraulic oil		General hydraulic oil or phosphate ester fluid		Water glycol fluid or water-oil emulsions		General hydraulic oil or antiwear hydraulic oil	Water glycol fluid or phosphate ester fluid or water-oil emulsions	
			Instant	Continuous	Instant	Continuous	Instant	Continuous			
T7B T7BS	B02	5.8	35	32	24	21	17.5	14	3600	1800	600
	B03	9.8									
	B04	12.8									
	B05	15.9									
	B06	19.8									
	B07	22.5									
	B08	24.9									
	B10	31.8									
	B12	41.0	30	27.5	24	21	17.5	14	3000	1800	600
	B15	50.0	28	24							
B20	63.0										
T7D T7DS	B14	44.0	30	25	24	21	17.5	14	3000	1800	600
	B17	55.0									
	B20	66.0									
	B22	70.3									
	B24	81.1									
	B28	90.0									
	B31	99.2									
	B35	113.4	28	25	24	21	17.5	14	2800	1800	600
	B38	120.6									
B42	137.5	26	23	24	21	17.5	14	2500	1800	600	
T7E T7ES	042	132.3	24	21	21	17.5	17.5	14	2200	1800	600
	045	142.4									
	050	158.5									
	052	164.8									
	054	171.0									
	057	183.3									
	062	196.7									
	066	213.3									
	072	227.1									
	085	268.7	9	7.5	7.5	7.5	7.5	7.5	2000	1800	600

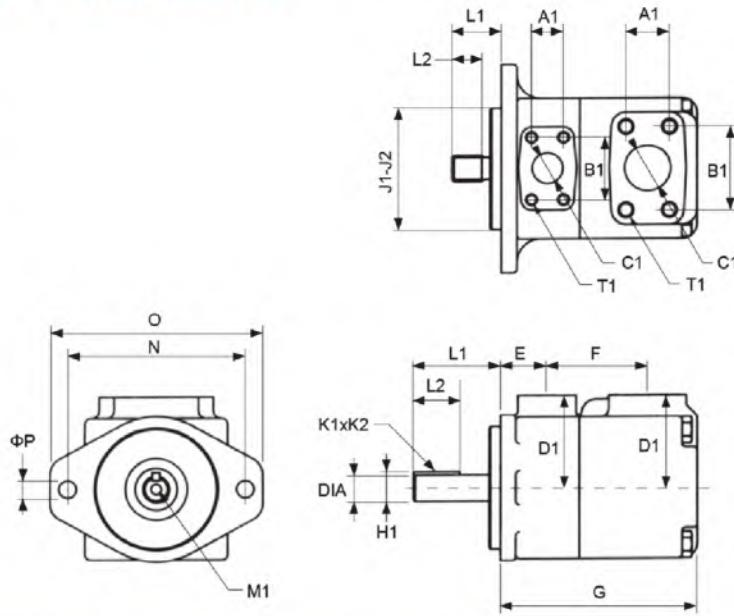
Technical Data

series	Flow code (USgpm)	Geometric displacement mL/r	Max.pressure Mpa						Max.speed r/min		Min. speed r/min
			Antiwear hydraulic oil		General hydraulic oil or phosphate ester fluid		Water glycol fluid or water-oil emulsions		General hydraulic oil or antiwear hydraulic oil	Water glycol fluid or phosphate ester fluid or water-oil emulsions	
			Instant	Continuous	Instant	Continuous	Instant	Continuous			
T6C	003/B03	10.8	28	24	21	17.5	17.5	14	2800	1800	600
	005/B05	17.2									
	006/B06	21.3									
	008/B08	26.4									
	010/B10	34.1									
	012/B12	37.1									
	014/B14	46.0									
	017/B17	58.3									
	020/B20	63.8									
	022/B22	70.3									
	025/B25	79.3									
	028/B28	88.8									
	031/B31	100.0	21	16	21	16	17.5	14	2500	1800	600
T6D	014/B14	47.6	25	21	21	17.5	17.5	14	2500	1800	600
	017/B17	58.2									
	020/B20	66.0									
	024/B24	79.5									
	028/B28	89.7									
	031/B31	98.3									
	035/B35	111.0									
	038/B38	120.3									
	042/B42	136.0									
	045/B45	145.7									
	050/B50	158.0									
	061	190.5	12	8	8	8	7.5	7.5	2200	1800	600
T6E	042	132.3	25	21	21	17.5	17.5	14	2200	1800	600
	045	142.4									
	050	158.5									
	052	164.8									
	057	179.8									
	062	196.7									
	066	213.3									
	072	227.1									
		085							269.0	12	8

003/B03 In displacement code, 0 means single steering valve plate structure, B means the two steering valve plate structure.

Installation Dimensions

T7B、T7BS
T7D、T7DS
T7E、T7ES
T6C、T6D
T6E



	T7B	T7BS	T7D	T7DS	T7E	T7ES	T6C	T6D	T6E
E	38.10	38.10	38.10	38.10	52.30	52.30	38.10	38.10	52.30
F	82.30	82.30	87.40	87.40	110.00	110.00	82.30	87.40	110.00
G	168.50	168.50	184.90	184.90	225.30	225.30	161.60	184.90	225.30
J1	100.00	101.60	125.00	127.00	125.00	127.00	101.60	127.00	127.00
J2	99.967	101.550	124.937	126.950	124.937	126.950	101.550	126.950	126.950
N	140.00	146.00	180.00	181.00	180.00	181.00	146.10	181.00	181.00
O	174.50	174.50	212.40	212.40	213.00	213.00	174.50	212.40	213.00
ΦP	14.00	14.30	18.00	17.50	18.00	17.50	14.30	17.50	17.50

Oil port		Flange	Install Dimensions(mm)					
			A1	B1	ΦC1	D1	T1 Thread	
T7B, T7BS	P	01: 3/4"	F06	22.2	47.6	19.0	76.2	3/8"-16UNCx19.0
	P	00: 1"	F08	26.2	52.4	25.4	76.2	3/8"-16UNCx19.0
	S	1-1/2"	F12	35.7	69.9	38.1	76.2	1/2"-13UNCx22.4
T7D, T7DS	P	1-1/4"	F10	30.2	58.7	31.8	82.6	7/16"-14UNCx22.3
	S	2"	F16	42.9	77.8	50.8	82.6	1/2"-13UNCx23.9
T7E, T7ES	P	1-1/2"	F12	35.7	69.9	38.1	98.6	1/2"-13UNCx23.4
	S	3"	F24	61.9	106.4	76.2	98.6	1/2"-13UNCx22.4
T6C	P	1"	F08	26.2	52.4	25.4	76.2	3/8"-16UNCx19.0
	S	1-1/2"	F12	35.7	69.9	38.1	76.2	1/2"-13UNCx22.4
T6D	P	1-1/4"	F10	30.2	58.7	31.8	82.6	7/16"-14UNCx22.3
	S	2"	F16	42.9	77.8	50.8	82.6	1/2"-13UNCx23.9
T6E	P	1-1/2"	F12	35.7	69.9	38.1	98.6	1/2"-13UNCx23.4
	S	3"	F24	61.9	106.4	76.2	98.6	5/8"-11UNCx24.0

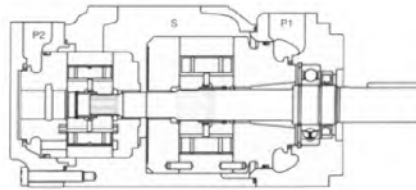
Installation Dimensions

Shaft extension

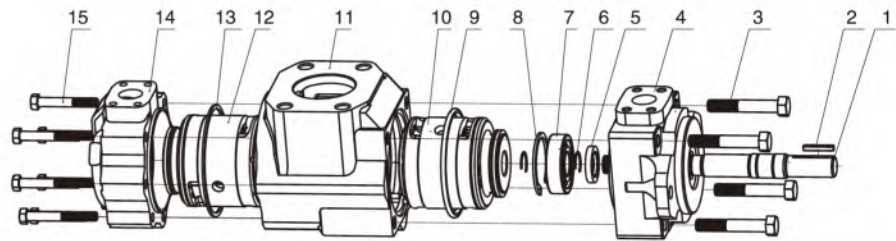
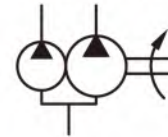
Model	Shaft code	Max torque (N.m)	L1	L2	DIA	K1xK2	H1	M1
T7B	2	●	70.0	40.0	25.0065/24.9935	8.00x7.00	28.22	—
T7BS	1	●	71.4	38.1	22.225/22.200	6.35x6.30	24.95	M8x16
	3	●	40.7	24.5	SAE J498b 1 Class, Diameter Pitch 16/32, 13 Teeth			—
	4	●	45.5	24.5	SAE J498b 1 Class, Diameter Pitch 16/32, 15 Teeth			—
T7D	5	●	87.4	50.0	32.018/32.002	10.00x8.00	36.3	M10x20
T7DS	1	●	83.6	49.3	31.750/31.700	7.94x7.89	35.27	M10x20
	2	●	73.2	38.1	31.750/31.700	7.94x7.89	35.27	—
	3	●	55.2	38.0	SAE J498b Class, Diameter Pitch 12/24, 14 Teeth			—
	4	●	77.7	48.0	SAE J498b 1级Class, 径节Diameter Pitch 12/24, 14牙Teeth			—
T7E	5	●	90.0	60.0	38.018/38.002	10.00x8.00	41.3	M10x20
T7ES	1	●	90.9	50.8	38.100/38.050	9.52x9.47	42.36	M10x20
	2	●	61.9	38.1	31.750/31.700	7.94x7.89	35.27	—
	3	●	55.2	38.0	SAE J498b 1 Class, Diameter Pitch 12/24, 14 Teeth			—
	4	●	62.2	31.5	SAE J498b 1 Class, Diameter Pitch 12/24, 17 Teeth			—
T6C	1	275	71.4	38.1	22.225/22.200	6.35x6.30	24.95	M8x16
	2	238	58.2	31.7	22.225/22.200	4.76x4.71	24.53	—
	3	343	40.7	24.5	SAE J498b 1 Class, Diameter Pitch 16/32, 13 Teeth			—
	4	●	45.5	24.5	SAE J498b 1 Class, Diameter Pitch 16/32, 15 Teeth			—
T6D	1	●	83.6	49.3	31.750/31.700	7.94x7.89	35.27	M10x20
	2	577	73.2	38.1	31.750/31.700	7.94x7.89	35.27	—
	3	●	55.2	38.0	SAE J498b 1 Class, Diameter Pitch 12/24, 14 Teeth			—
	4	●	77.7	48.0	SAE J498b 1 Class, Diameter Pitch 12/24, 14 Teeth			—
T6E	1	●	90.9	50.8	38.100/38.050	9.52x9.47	42.36	M10x20
	2	577	61.9	38.1	31.750/31.700	7.94x7.89	35.27	—
	3	●	55.2	38.0	SAE J498b 1 Class, Diameter Pitch 12/24, 14 Teeth			—
	4	●	62.2	31.5	SAE J498b 1 Class, Diameter Pitch 12/24, 17 Teeth			—

● Work at maximum flow and pressure.

T6, T67, T7 Series-double Pumps



Hydraulic Sign



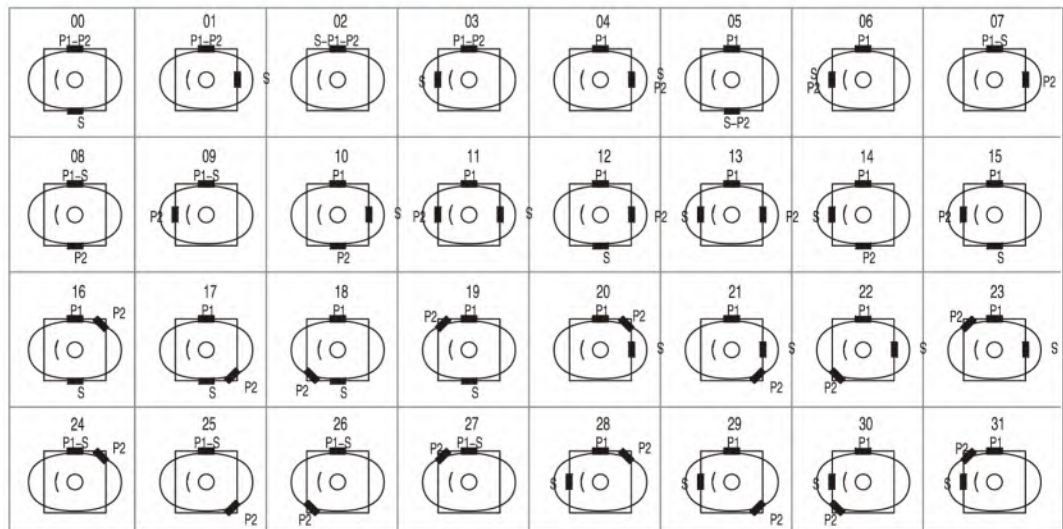
NO.	Part	Qty
1	shaft	1
2	straight key	1
3	Hexagon head bolt	4
4	front cover	1
5	shaft seal	1

NO.	Part	Qty
6	cir clip for shaft	2
7	ball bearing	1
8	cir clip for hole	1
9	rectangle seal ring	1
10	front cartridge	1

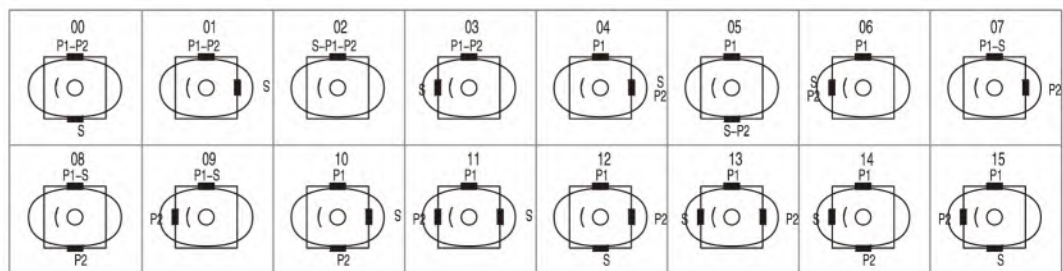
NO.	Part	Qty
11	middle body	1
12	rear cartridge	1
13	rectangle seal ring	1
14	rear cover	1
15	Hexagon head bolt	4

Port positions (Viewed from shaft end of pump)

- T7BB(S)
- T7DB(S)
- T7EB(S)
- T67CB
- T6CC
- T67DB
- T6DC
- T67EB
- T67EC
- T6EC



- T7DD(S)
- T7ED(S)
- T7EE(S)
- T7ED
- T6ED
- T6EE



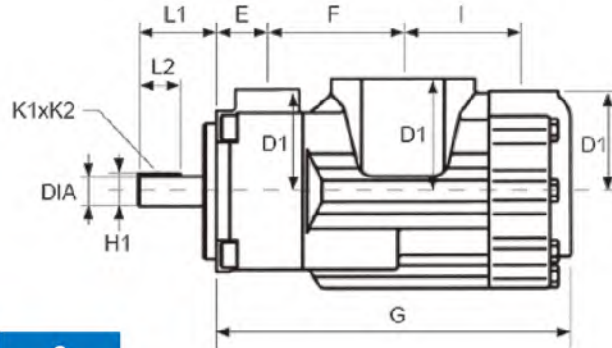
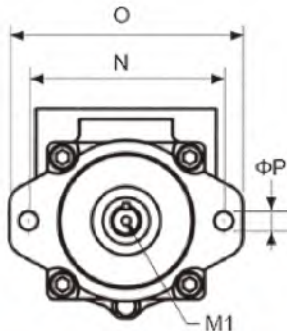
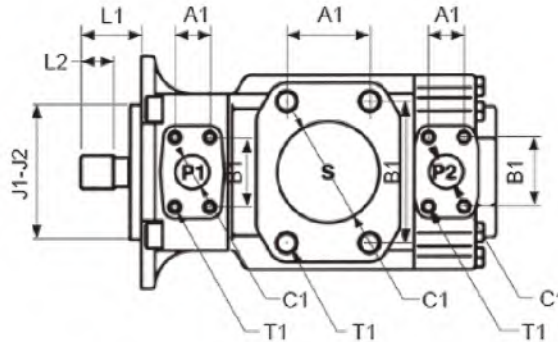
Model Designation

T6CC	S	W	-025	-017	-1	R	02	-C	1	10
Series	Type Code	Vice Type Code	Flow—shaft end Pump	Flow—cover end pump	Shaft type	Rotation	Port positions	Design number	Sealing Level	Port dimensions
T7BB	NO: USE ISO 3019 Installation Flange S: USE SAE C J744 installation flange	NO	B02, B03, B04, B05, B06, B07, B08, B10, B12, B15, B20	B02, B03, B04, B05, B06, B07, B08, B10, B12, B15, B20						00, 01, M0, M1 See installation dimensions
T7DB			B14, B17, B20, B22, B24, B28, B31, B35, B38, B42	B02, B03, B04, B05, B06, B07, B08, B10, B12, B15						00, 01, M1, M0 见安装连接尺寸 See installation dimensions
T7DD			B14, B17, B20, B22, B24, B28, B31, B35, B38, B42	B14, B17, B20, B22, B24, B28, B31, B35, B38, B42						No
T7EB			042, 045, 050, 052, 054, 057, 062, 066, 072, 085	B02, B03, B04, B05, B06, B07, B08, B10, B12, B15, B20						
T7ED			042, 045, 050, 052, 054, 057, 062, 066, 072, 085	B14, B17, B20, B22, B24, B28, B31, B35, B38, B42						
T7EE			042, 045, 050, 052, 054, 057, 062, 066, 072, 085	042, 045, 050, 052, 054, 057, 062, 066, 072, 085						
T67CB	NO: industrial type M: truck type P: truck type double seal kits	W: Heavy str keyed shaft	003/B03, 005/B05, 006/B06, 008/B08, 010/B10, 012/B12, 014/B14, 017/B17, 020/B20, 022/B22, 025/B25, 028/B28, 031/B31	B02, B03, B04, B05, B06, B07, B08, B10, B12, B15	See size of shaft	Viewed from shaft end of pump right hand for clockwise left hand for counter-clockwise	see picture below	C	NBR Nitrile rubber 5-S5, Fluororubber	11, M1
T6CC			003/B03, 005/B05, 006/B06, 008/B08, 010/B10, 012/B12, 014/B14, 017/B17, 020/B20, 022/B22, 025/B25, 028/B28, 031/B31	003/B03, 005/B05, 006/B06, 008/B08, 010/B10, 012/B12, 014/B14, 017/B17, 020/B20, 022/B22, 025/B25, 028/B28, 031/B31						1-S1, See installation dimensions
T67DB			014/B14, 017/B17, 020/B20, 024/B24, 028/B28, 031/B31, 035/B35, 038/B38, 042/B42, 045/B45, 050/B50, 061	B02, B03, B04, B05, B06, B07, B08, B10, B12, B15, B20						00, 01, M0, M1 See installation dimensions
T67DC			B14, B17, B20, B22, B24, B28, B31, B35, B38, B42	003/B03, 005/B05, 006/B06, 008/B08, 010/B10, 012/B12, 014/B14, 017/B17, 020/B20, 022/B22, 025/B25, 028/B28, 031/B31						
T6DC			014/B14, 017/B17, 020/B20, 024/B24, 028/B28, 031/B31, 035/B35, 038/B38, 042/B42, 045/B45, 050/B50, 061	003/B03, 005/B05, 006/B06, 008/B08, 010/B10, 012/B12, 014/B14, 017/B17, 020/B20, 022/B22, 025/B25, 028/B28, 031/B31						No
T67EB			042, 045, 050, 052, 057, 062, 066, 072, 085	B02, B03, B04, B05, B06, B07, B08, B10, B12, B15, B20						
T6EC			042, 045, 050, 052, 057, 062, 066, 072, 085	003/B03, 005/B05, 006/B06, 008/B08, 010/B10, 012/B12, 014/B14, 017/B17, 020/B20, 022/B22, 025/B25, 028/B28, 031/B31						No
T67EC			042, 045, 050, 052, 057, 062, 066, 072, 085	003/B03, 005/B05, 006/B06, 008/B08, 010/B10, 012/B12, 014/B14, 017/B17, 020/B20, 022/B22, 025/B25, 028/B28, 031/B31						
T6ED			042, 045, 050, 052, 057, 062, 066, 072, 085	014/B14, 017/B17, 020/B20, 024/B24, 028/B28, 031/B31, 035/B35, 038/B38, 042/B42, 045/B45, 050/B50, 061						No
T6EE			042, 045, 050, 052, 057, 062, 066, 072, 085	042, 045, 050, 052, 057, 062, 066, 072, 085						

003/B03 In displacement code, 0 means single steering valve plate structure, B means the two steering valve plate structure. The data of relevant series ,model are unanimous.Please see T6 series—single pumps data

Installation Dimensions

T6CC
T6DC
T6EC
T6ED



	T6CC	T6DC
E	38.1	38.1
F	101.6	114.3
G	265.6	286.0
I	88.2	109.5
J1	101.60	127.00
J2	101.55	126.95
N	146.0	181.0
O	174.5	212.4
ΦP	14.3	17.5

	T6EC	T6ED
E	52.3	52.3
F	118.5	133.5
G	331.6	361.0
I	136.7	148.2
J1	127.00	127.00
J2	126.95	126.95
N	181.0	181.0
O	213.0	213.0
ΦP	17.5	17.5

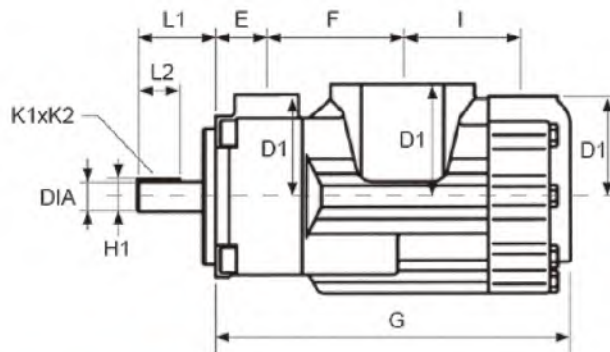
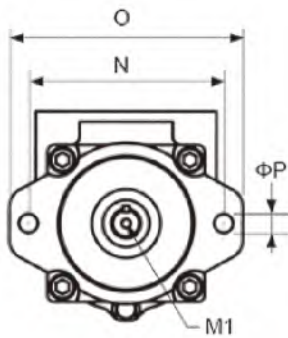
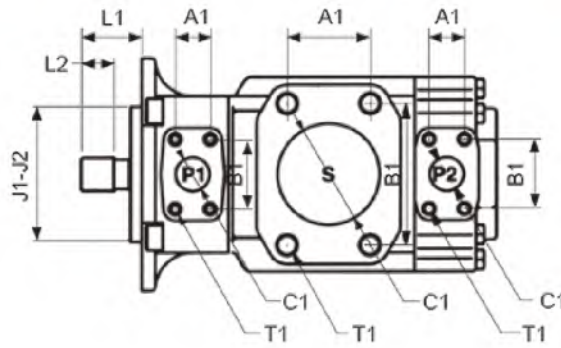
	T6EE	T6EES
E	42.9	42.9
F	167.3	167.3
G	406.8	406.8
I	157.9	157.9
J1	250.00	165.10
J2	249.93	165.05
N	222.7x222.7	224.5x224.5
O	273x273	273x273
ΦP	22	20.6

	代号/Code	P1	P2	S
T6CC	00(0M)	1"	1"	3"
	01(W0)	1"	3/4"	3"
	10(1M)	1"	1"	2-1/2"
	11(W1)	1"	3/4"	2-1/2"
T6DC T7DB(S)	00(M0)	1-1/4"	1"	3"
	01(M1)	1-1/4"	3/4"	3"

	Oil port	Flange	Install Dimensions(mm)					
			A1	B1	ΦC1	D1	T1 Thread	
T6CC	P1	1"	F08	26.2	52.4	25.4	76.2	3/8"-16UNCx19.0 (M10x19)
		3/4"	F06	22.2	47.6	19.0	76.2	3/8"-16UNCx19.0(M10x19)
	P2	1"	F08	26.2	52.4	25.4	74.7	
		S	2-1/2"	F20	50.8	88.9	63.5	84.1
T6DC	P1		1-1/4"	F10	30.2	58.7	31.8	82.6
		3/4"	F06	22.2	47.6	19.0	74.7	3/8"-16UNCx19.0(M10x19)
	P2	1"	F08	26.2	52.4	25.4	74.7	
		S	3"	F24	61.9	106.4	76.2	88.9
T6EC	P1	1-1/2"	F12	35.7	69.9	38.1	98.6	1/2"-13UNCx23.4
		1"	F08	26.2	52.4	25.4	74.7	3/8"-16UNCx19.0
	S	3-1/2"	F28	69.9	120.7	88.9	102.4	5/8"-11UNCx29.5
T6ED	P1	1-1/2"	F12	35.7	69.9	38.1	98.6	1/2"-13UNCx23.4
		1-1/4"	F10	30.2	58.7	31.8	101.6	7/16"-14UNCx24.0
	S	4"	F32	77.8	130.2	101.6	102.4	5/8"-11UNCx30.0
T6EE(S)	P1	1-1/2"	F12	35.7	69.9	38.1	139.7	1/2"-13UNCx30
		1-1/2"	F12	35.7	69.9	37.1	98.6	1/2"-13UNCx23.4
	S	4"	F32	77.8	130.2	101.6	115	5/8"-11UNCx30

Installation Dimensions

T7BB、T7BBS
T7DB、T7DBS
T7EB、T7EBS
T67CB
T67DB
T67EB



	T7BB	T7BBS	T67CB
E	38.1	38.1	38.1
F	101.6	101.6	101.6
G	262.2	262.2	265.6
I	98.6	98.6	88.2
J1	100.00	101.60	101.60
J2	99.97	101.55	101.55
N	140.0	146.0	146.0
O	174.5	174.5	174.5
ΦP	14.0	14.3	14.3

	T7DB	T7DBS	T67DB
E	38.1	38.1	38.1
F	114.3	114.3	114.3
G	286.0	286.0	286.0
I	109.5	109.5	109.5
J1	125.00	127.00	127.00
J2	124.94	126.95	126.95
N	180.0	181.0	181.0
O	212.4	212.4	212.4
ΦP	18.0	17.5	17.5

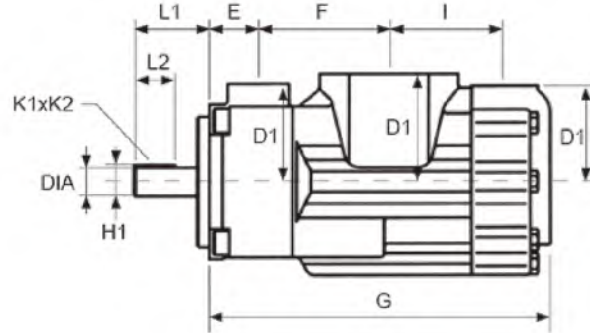
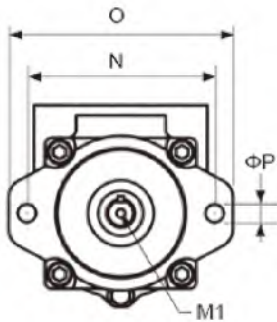
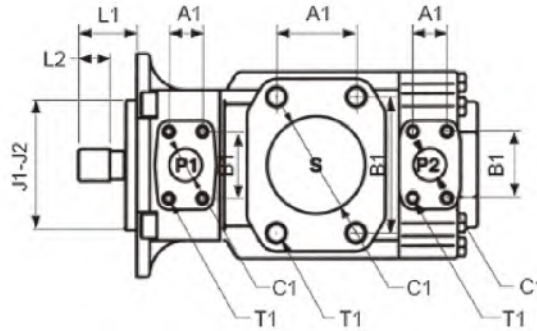
	T7EB	T7EBS	T67EB
E	52.3	52.3	52.3
F	118.5	118.5	118.5
G	331.6	331.6	331.6
I	136.7	136.7	136.7
J1	125.00	127.00	127.00
J2	124.94	126.95	126.95
N	180.0	181.0	181.0
O	213.0	213.0	213.0
ΦP	18.0	17.5	17.5

	代号/Code	P1	P2	S
T7BB(S)	00(O)	1"	3/4"	2-1/2"
	01(M)	3/4"	3/4"	2-1/2"

Oil port		Flange	Install Dimensions(mm)					
			A1	B1	ΦC1	D1	T1 Thread	
T7BB(S)	P1	1"	F08	26.2	52.4	25.4	76.2	3/8"-16UNCx19.0 (M10x19)
		3/4"	F06	22.2	47.6	19.0	76.2	
	P2	3/4"	F06	22.2	47.6	19.0	76.2	
	S	2-1/2"	F20	50.8	88.9	63.5	84.1	
T7DB(S)	P1	1-1/4"	F10	30.2	58.7	31.8	82.6	7/16"-14UNCx22.3(M12x22)
	P2	3/4"	F06	22.2	47.6	19.0	74.7	3/8"-16UNCx19.0(M10x19)
		1"	F08	26.2	52.4	25.4	74.7	
S	3"	F24	61.9	106.4	76.2	88.9	5/8"-11UNCx29(M16x29)	
T67CB	P1	1"	F08	26.2	52.4	25.4	76.2	3/8"-16UNCx19.0(M10x19)
	P2	3/4"	F06	22.2	47.6	19.0	76.2	3/8"-16UNCx19.0(M10x19)
	S	2-1/2"	F20	50.8	88.9	63.5	84.1	1/2"-13UNCx23.9(M12x30)
T67DB	P1	1-1/4"	F10	30.2	58.7	31.8	82.6	7/16"-14UNCx22.3
	P2	3/4"	F06	22.2	47.6	19.0	76.2	3/8"-16UNCx19.0
	S	3"	F24	61.9	106.4	76.2	88.9	1/2"-13UNCx23.9
T67EB	P1	1-1/2"	F12	35.7	69.9	38.1	98.6	1/2"-13UNCx23.4
	P2	3/4"	F06	22.2	47.6	19.0	76.2	3/8"-16UNCx19.0
	S	3-1/2"	F28	69.9	120.7	88.9	102.4	5/8"-11UNCx24.0
T7EB(S)	P1	1-1/2"	F12	35.7	69.9	38.1	98.6	1/2"-13UNCx23.4
	P2	3/4"	F06	22.2	47.6	19.0	74.7	3/8"-16UNCx19.0
	S	3-1/2"	F28	69.9	120.7	88.9	102.4	5/8"-11UNCx29.5

Installation Dimensions

T7DD(S)
T7ED(S)
T7EE(S)
T67DC
T67EC



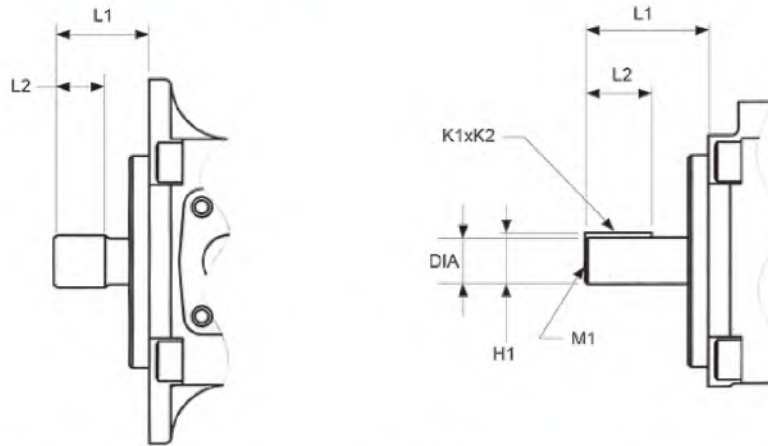
	T7DD	T7DDS	T67DC
E	38.3	38.3	38.1
F	148.3	148.3	114.3
G	347.7	347.7	286.0
I	134.2	134.2	109.5
J1	125.000	127.00	127.00
J2	124.937	126.95	126.95
N	180.0	181.0	181.0
O	213.0	213.0	212.4
ΦP	14.0	14.3	17.5

	T7ED	T7EDS	T67EC
E	52.3	52.3	52.3
F	133.5	133.5	118.5
G	361.0	361.0	331.6
I	148.2	148.2	136.7
J1	125.00	127.00	127.00
J2	124.94	126.95	126.95
N	180.0	181.0	181.0
O	213.0	213.0	213.0
ΦP	18.0	17.5	17.5

	T7EE	T7EES
E	42.9	42.9
F	167.3	167.3
G	406.8	406.8
I	157.9	157.9
J1	250.00	165.10
J2	249.93	165.05
N	222.7x222.7	224.5x224.5
O	273x273	273x273
ΦP	22	20.6

	Oil port		Flange	Install Dimensions(mm)				
				A1	B1	ΦC1	D1	T1 Thread
T7DD(S)	P1	1-1/4"	F10	30.2	58.7	31.8	101.6	7/16"-14UNCx22.3
	P2	1-1/4"	F10	30.2	58.7	31.8	101.6	7/16"-14UNCx24
	S	4"	F32	77.8	130.2	101.6	114.9	5/8"-11UNCx30
T7ED(S)	P1	1-1/2"	F12	35.7	69.9	37.1	98.6	1/2"-13UNCx23.4
	P2	1-1/4"	F10	30.2	58.7	31.8	101.6	7/16"-14UNCx24
	S	4"	F32	77.8	130.2	101.6	102.4	5/8"-11UNCx30
T7EE(S)	P1	1-1/2"	F12	35.7	69.9	38.1	139.7	M12x30
	P2	1-1/2"	F12	35.7	69.9	37.1	98.6	M12x30
	S	4"	F32	77.8	130.2	101.6	115	M16x30
T67DC	P1	1-1/4"	F10	30.2	58.7	31.8	82.6	7/16"-14UNCx22.3
	P2	1"	F08	26.2	52.4	25.4	74.7	3/8"-16UNCx19.0
	S	3"	F24	61.9	106.4	76.2	88.9	5/8"-11UNCx28.5
T67EC	P1	1-1/2"	F12	35.7	69.9	37.1	98.6	1/2"-13UNCx23.4
	P2	1"	F08	26.2	52.4	25.4	74.7	3/8"-16UNCx19.0
	S	3-1/2"	F28	69.9	120.7	88.9	102.4	5/8"-11UNCx29.5

Installation Dimensions

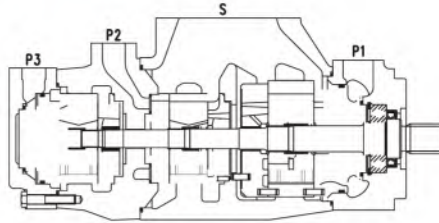


Shaft extension

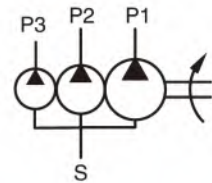
Model	Shaft code	Max torque (N.m)	L1	L2	DIA	K1xK2	H1	M1
T7BB	5	●	70.0	40.0	25.006/24.993	8.00x7.00	28.22	—
T7BBS	1	238	58.2	31.7	22.225/22.200	4.76x4.71	24.53	—
	2	357	71.4	38.1	25.400/25.370	6.35x6.30	28.22	M8x16
	3	●	40.7	24.5	SAE J498b class1, Diametral pitch 16/32, 13T		—	—
	4	●	45.5	24.5	SAE J498b class1, Diametral pitch 16/32, 15T		—	—
T7DB	5	●	87.9	50.0	32.018/32.002	10.00x8.00	35.0	M10x20
T7DBS	1	●	83.6	49.3	31.75/31.70	7.94x7.89	35.27	M10x20
	2	●	73.2	38.1	31.75/31.70	7.94x7.89	35.27	—
	3	●	55.2	38.0	SAE J498b class1, Diametral pitch 12/24, 14T		—	—
	4	●	77.7	48.02	SAE J498b class1, Diametral pitch 12/24, 14T		—	—
T7DD	5	●	68.0	50.0	31.018/32.002	10.00x8.00	35.0	M10x20
T7DDS	1	●	84.0	49.3	31.75/31.70	7.94x7.89	35.27	M10x20
	2	●	91.0	50.8	38.10/38.05	9.52x9.47	40.36	M10x20
	3	●	56.0	38.0	SAE J498b class1, Diametral pitch 12/24, 14T		—	—
	4	●	46.0	24.5	SAE J498b class1, Diametral pitch 16/32, 15T		—	—
T7EB, T7ED	5	●	90.0	50.0	38.018/38.002	10.00x8.00	41.3	M10x20
T7EBS, T7EDS	1	●	90.9	50.8	38.10/38.05	9.52x9.47	42.36	M10x20
	2	●	61.9	38.1	31.75/31.70	7.94x7.89	35.27	—
	3	●	55.9	38.1	SAE J498b class1, Diametral pitch 12/24, 14T		—	—
	4	●	62.2	31.5	SAE J498b class1, Diametral pitch 12/24, 17T		—	—
T7EE	2	●	92.0	63.0	45.000/44.975	14.00x9.00	48.5	M12x24
T7EES	1	●	90.9	63.5	38.100/38.075	9.52x9.47	42.36	M10x20
	3	●	62.2	31.5	SAE J498b class1, Diametral pitch 12/24, 17T		—	—
	4	●	75.0	48.8	SAE J498b class1, Diametral pitch 8/16, 13T		—	—
T67CB, T6CC	1	238	58.2	31.7	22.225/22.200	4.76x4.71	24.53	—
	2	357	71.4	38.1	25.400/25.370	6.35x6.30	28.22	M8x16
	3	545	45.5	24.5	SAE J498b class1, Diametral pitch 16/32, 15T		—	—
	5	343	40.7	24.5	SAE J498b class1, Diametral pitch 16/32, 13T		—	—
T67DB, T67DC, T6DC	1	721	83.6	49.3	31.750/31.700	7.94x7.89	35.27	M10x20
	2	577	73.2	38.1	31.750/31.700	7.94x7.89	35.27	—
	3	●	55.2	38.0	SAE J498b class1, Diametral pitch 12/24, 14T		—	—
	4	●	77.7	48.0	SAE J498b class1, Diametral pitch 12/24, 14T		—	—
	5	●	83.4	60.0	34.900/34.875	7.94x7.89	38.42	M8x16
T67EB, T67EC, T6EC, T6ED	1	●	90.9	50.8	38.100/38.050	9.52x9.47	42.36	M10x20
	2	577	61.9	38.1	31.750/31.700	7.94x7.89	35.27	—
	3	●	55.7	38.0	SAE J498b class1, Diametral pitch 12/24, 14T		—	—
	4	●	62.2	31.5	SAE J498b class1, Diametral pitch 12/24, 17T		—	—

● Work at maximum flow and pressure.

T6, T67, T7 Series- Triple Pumps



Hydraulic Sign



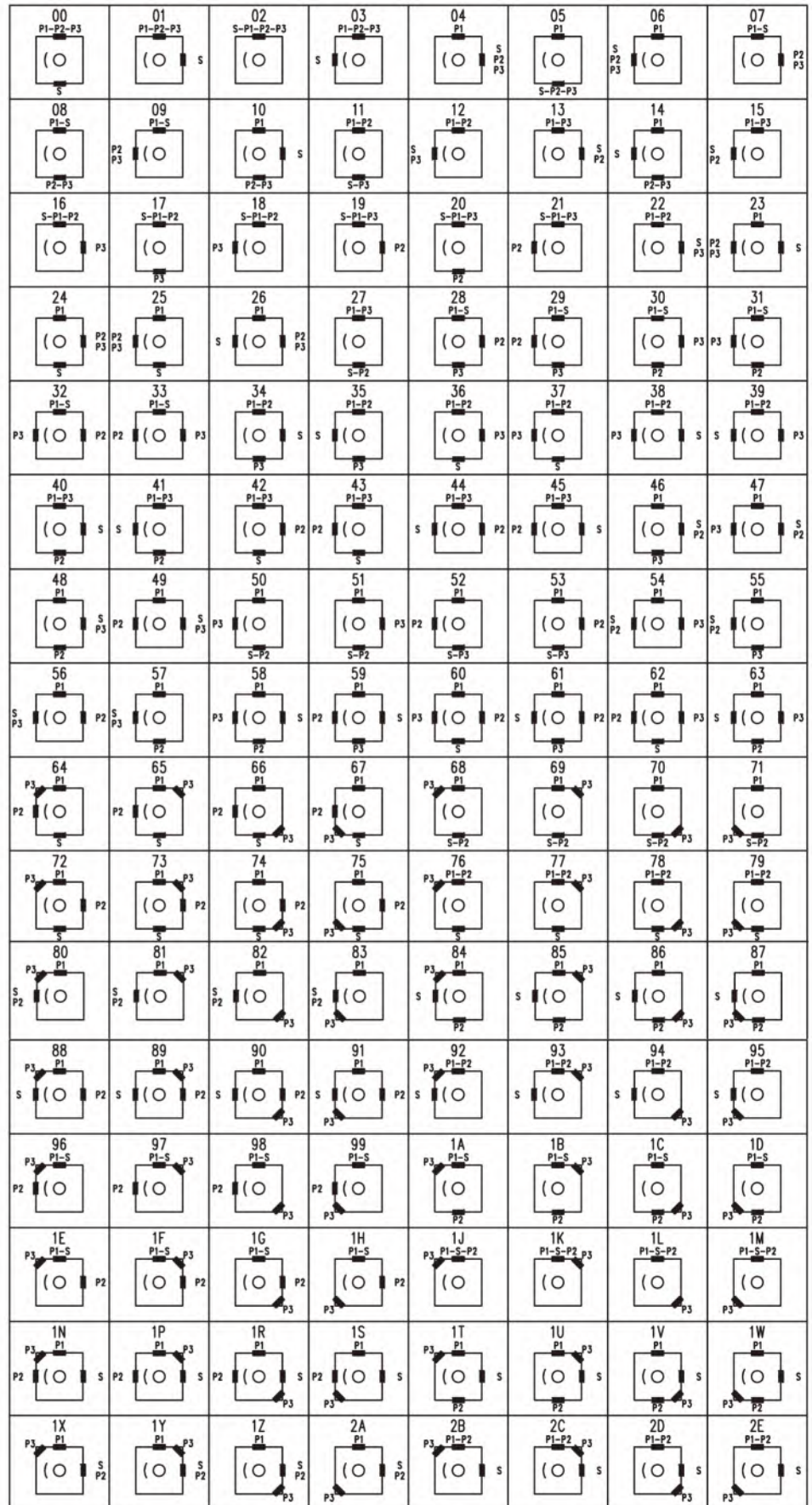
Model Designation

T6DCC	(M)	-042	-017	-010	-1	R	02	-A	1	01
Series	Type Code	Flow-shaft end Pump	Flow-mid pump	Flow-cover end pump	Shaft type	Rotation	Port positions	Design number	Sealing Level	Port dimensions
T67DBB (S)		014/B14, 017/B17, 020/B20, 024/B24, 028/B28, 031/B31, 035/B35, 038/B38, 042/B42, 045/B45, 050/B50, 061	B02, B03, B04, B05, B06, B07, B08, B10, B12, B15, B20	B02, B03, B04, B05, B06, B07, B08, B10, B12, B15, B20						
T67DCB (S)		014/B14, 017/B17, 020/B20, 024/B24, 028/B28, 031/B31, 035/B35, 038/B38, 042/B42, 045/B45, 050/B50, 061	003/B03, 005/B05, 006/B06, 008/B08, 010/B10, 012/B12, 014/B14, 017/B17, 020/B20, 022/B22, 025/B25, 028/B28, 031/B31	B02, B03, B04, B05, B06, B07, B08, B10, B12, B15, B20						NO
T6DCC		014/B14, 017/B17, 020/B20, 024/B24, 028/B28, 031/B31, 035/B35, 038/B38, 042/B42, 045/B45, 050/B50, 061	003/B03, 005/B05, 006/B06, 008/B08, 010/B10, 012/B12, 014/B14, 017/B17, 020/B20, 022/B22, 025/B25, 028/B28, 031/B31	003/B03, 005/B05, 006/B06, 008/B08, 010/B10, 012/B12, 014/B14, 017/B17, 020/B20, 022/B22, 025/B25, 028/B28, 031/B31					1-S1,	00, 01, See installation dimensions
T67DDBS	NO: industrial type	014/B14, 017/B17, 020/B20, 024/B24, 028/B28, 031/B31, 035/B35, 038/B38, 042/B42, 045/B45, 050/B50, 061	014/B14, 017/B17, 020/B20, 024/B24, 028/B28, 031/B31, 035/B35, 038/B38, 042/B42, 045/B45, 050/B50, 061	B02, B03, B04, B05, B06, B07, B08, B10, B12, B15, B20	See size of shaft	Viewed from shaft end of pump R- right hand for clockwise L- left hand for counter-clockwise	see picture below	A	NBR Nitrile rubber 5-S5, Fluororubber	NO
T6DDC	M: truck type S: truck type use SAE C J744	014/B14, 017/B17, 020/B20, 024/B24, 028/B28, 031/B31, 035/B35, 038/B38, 042/B42, 045/B45, 050/B50, 061	014/B14, 017/B17, 020/B20, 024/B24, 028/B28, 031/B31, 035/B35, 038/B38, 042/B42, 045/B45, 050/B50, 061	003/B03, 005/B05, 006/B06, 008/B08, 010/B10, 012/B12, 014/B14, 017/B17, 020/B20, 022/B22, 025/B25, 028/B28, 031/B31						00, 01, See installation dimensions
T6EDB (S)	installation flange	042, 045, 050, 052, 057, 062, 066, 072, 085	014/B14, 017/B17, 020/B20, 024/B24, 028/B28, 031/B31, 035/B35, 038/B38, 042/B42, 045/B45, 050/B50, 061	B02, B03, B04, B05, B06, B07, B08, B10, B12, B15, B20						NO
T6EDC		042, 045, 050, 052, 057, 062, 066, 072, 085	014/B14, 017/B17, 020/B20, 024/B24, 028/B28, 031/B31, 035/B35, 038/B38, 042/B42, 045/B45, 050/B50, 061	003/B03, 005/B05, 006/B06, 008/B08, 010/B10, 012/B12, 014/B14, 017/B17, 020/B20, 022/B22, 025/B25, 028/B28, 031/B31						00, 01, See installation dimensions

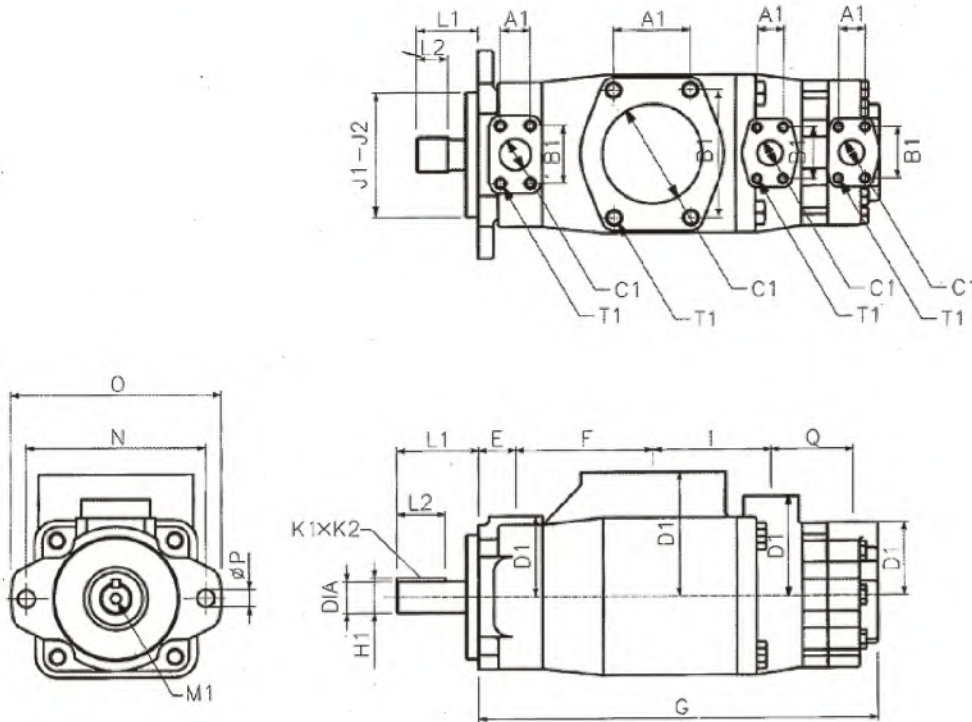
003/B03 In displacement code, 0 means single steering valve plate structure, B means the two steering valve plate structure. The data of relevant series ,model are unanimous.Please see T6 series-single pumps data

Port positions(Viewed from shaft end of pump)

- T67DBB(S)
- T67DCB(S)
- T6DCC
- T67DDBS
- T6DDC
- T6EDB(S)
- T6EDC



Installation Dimensions



	T6DCC T67DCB(S) T67DBB(S)
E	38.1
F	138.0
G	404.0
I	119.3
J1	127.00
J2	126.95
N	181.0
O	212.4
ϕP	17.5
Q	84.4

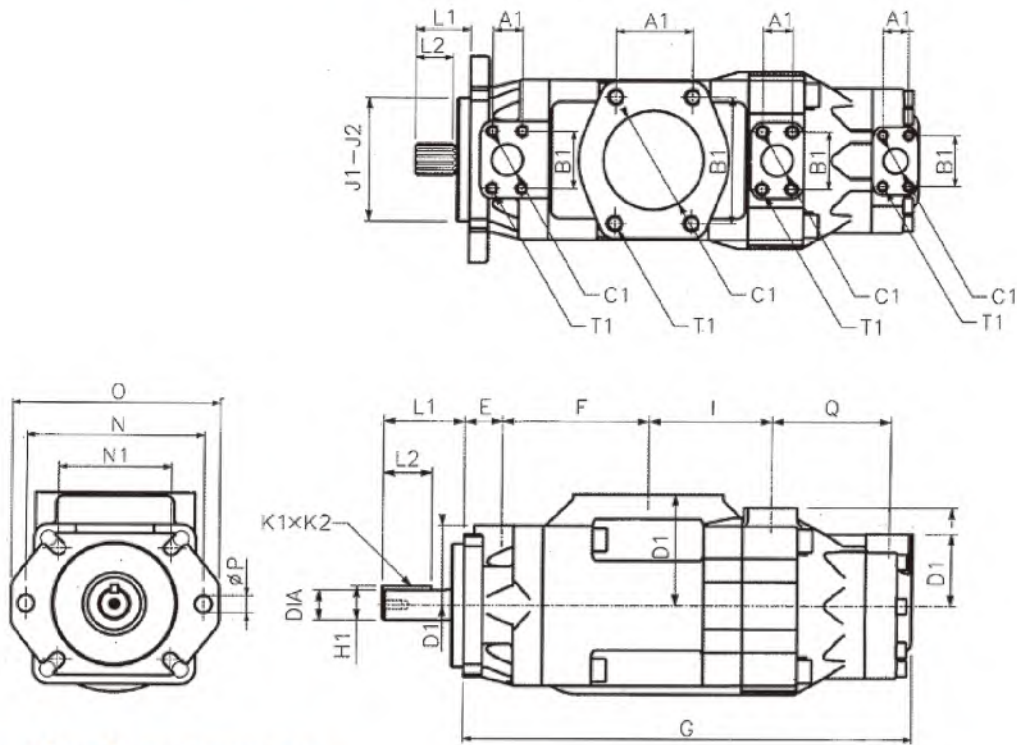
Shaft extension

Model	Shaft code	Max torque (N.m)	L1	L2	DIA	K1xK2	H1	M1
T67DBB(S) T67DCB(S) T6DCC	1	721	83.6	49.3	31.750/31.700	6.35x6.30	34.6	-
	2	1108	89.7	50.8	38.100/38.075	9.52x9.47	42.4	-
	3	●	55.2	38.0	SAE J498b 1 class, Diametral pitch12/24, 14T			-
	4	●	61.0	31.5	SAE J498b 1 class, Diametral pitch12/24, 17T			-
T6DCC	5	●	76.0	48.0	SAE J498b 1 class, Diametral pitch12/24, 14T			-

● work at maximum flow and pressure.

	Oil port		Flange	Install Dimensions(mm)				
				A1	B1	ϕC1	D1	T1口螺纹Thread
T67DBB(S) T67DCB(S)	P1	1-1/4"	F10	30.2	58.7	31.8	82.6	7/16"-14UNCx22.3
	P2	1"	F08	26.2	52.4	25.4	101.6	3/8"-16UNCx19.0
	P3	3/4"	F06	22.2	47.6	19.0	74.7	3/8"-16UNCx19.0
	S	4"	F32	77.8	130.2	101.6	127	5/8"-11UNCx30.0
T6DCC	P1	1-1/4"	F10	30.2	58.7	31.8	82.6	7/16"-14UNCx22.3
	P2	1"	F08	26.2	52.4	25.4	101.6	3/8"-16UNCx19.0
	P3	01: 3/4"	F06	22.2	47.6	19.0	74.7	3/8"-16UNCx19.0
	P3	00: 1"	F08	26.2	52.4	25.4	74.7	3/8"-16UNCx19.0
	S	4"	F32	77.8	130.2	101.6	127	5/8"-11UNCx30.0

Installation Dimensions



T6DDCS T67DDBS	
E	38.1
F	148.5
G	455.0
I	125.0
J1	127.00
J2	126.95
N	181.0
O	213.0
ØP	17.5
Q	120.0

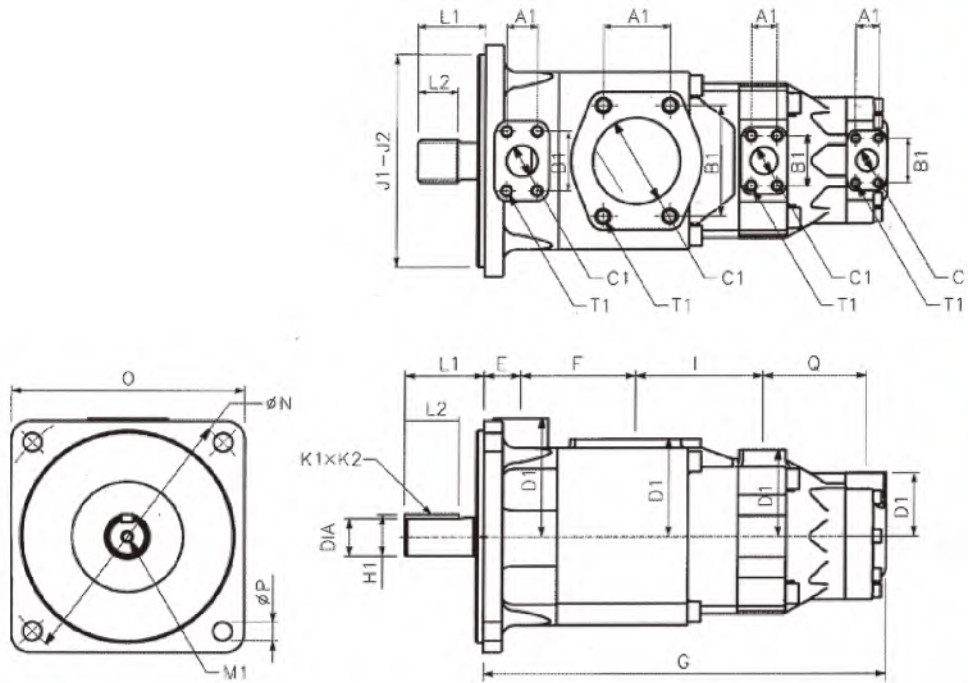
Shaft extension

Model	Shaft code	Max torque (N.m)	L1	L2	DIA	K1xK2	H1	M1
T67DDBS T6DDCS	1	686	84.0	49.3	31.750/31.700	7.94x7.89	35.27	M10x20
	2	1148	91.0	50.8	38.100/38.075	9.52x9.47	42.36	M10x20
	5	883	84.0	60.0	34.900/34.850	7.94x7.89	38.42	M10x20
	3	971	56.0	38.0	SAE J498b 1 class, Diametral pitch 12/24, 14T			-
	4	●	62.0	31.5	SAE J498b 1 class, Diametral pitch 12/24, 17T			-

● work at maximum flow and pressure.

	Oil port		Flange	Install Dimensions(mm)				
				A1	B1	ØC1	D1	T1 Thread
T67DDBS	P1	1-1/4"	F10	30.2	58.7	31.8	82.6	7/16"-14UNCx22.3
	P2	1-1/4"	F10	30.2	58.7	31.8	101.6	7/16"-14UNCx24.0
	P3	3/4"	F06	22.2	47.6	19.0	74.7	3/8"-16UNCx19.0
	S	4"	F32	77.8	130.2	101.6	115.0	5/8"-11UNCx30.0
T6DDCS	P1	1-1/4"	F10	30.2	58.7	31.8	82.6	7/16"-14UNCx22.3
	P2	1-1/4"	F10	30.2	58.7	31.8	101.6	7/16"-14UNCx24.0
	P3	01: 3/4"	F06	22.2	47.6	19.0	74.7	3/8"-16UNCx19.0
	P3	00: 1"	F08	26.2	52.4	25.4	74.7	3/8"-16UNCx19.0
	S	4"	F32	77.8	130.2	101.6	115.0	5/8"-11UNCx30.0

Installation Dimensions



	T6EDC		T7EEC
E	42.9	E	42.9
F	133.3	F	167.3
G	468.0	G	516.8
I	148.4	I	162.2
J1	250h8	J1	250h8
J2		J2	
ΦN	315.0	ΦN	315.0
O	273.0	O	273.0
ΦP	22.0	ΦP	22.0
Q	120.0	Q	120.0

	T6EDCS T67EDB(S)		T7EECS
E	42.9	E	42.9
F	133.3	F	167.3
G	468.0	G	516.8
I	148.4	I	162.2
J1	165.10	J1	165.10
J2	165.05	J2	165.05
ΦN	315.0	ΦN	317.5
O	273.0	O	273.0
ΦP	20.8	ΦP	20.8
Q	120.0	Q	120.0

Shaft extension

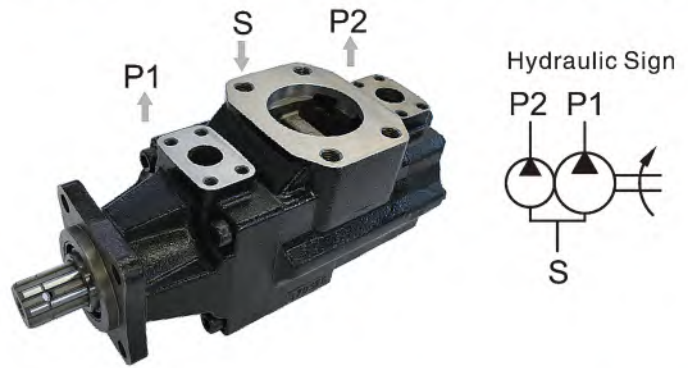
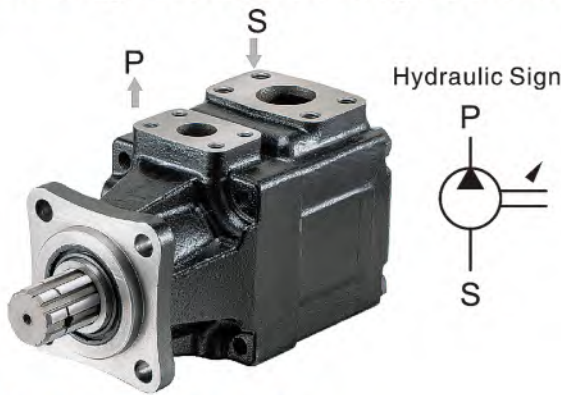
Model	Shaft code	Max torque (N.m)	L1	L2	DIA	K1xK2	H1	M1
T67EDBS, T6EDC T6EDCS	1	●	92.0	63.0	45h7	14h7x9	48.5	M12x24
T6EDCS	2	●	100.0	63.5	44.45/44.40	11.11x11.06	49.3	1/2–UNCx24
	3	●	75.0	48.8	SAE J498b 1 class, Diametral pitch8/16, 13T			–
T7EEC(S)	2	●	92.0	63.0	45h7	14h7x9	48.5	M12x24

● work at maximum flow and pressure.

	Oil port		Flange	Install Dimensions(mm)				
				A1	B1	ΦC1	D1	T1口螺纹Thread
T67EDBS	P1	1–1/2"	F12	35.7	69.9	37.1	139.7	1/2"–13UNCx30.0
	P2	1–1/4"	F10	30.2	58.7	31.8	101.6	7/16"–14UNCx24.0
	P3	3/4"	F06	22.2	47.6	19.0	74.7	3/8"–16UNCx19.0
	S	4"	F32	77.8	130.2	101.6	115.0	5/8"–11UNCx30.0
T6EDC T6EDCS	P1	1–1/2"	F12	35.7	69.9	37.1	139.7	1/2"–13UNCx30.0
	P2	1–1/4"	F10	30.2	58.7	31.8	101.6	7/16"–14UNCx24.0
	P3	01: 3/4"	F06	22.2	47.6	19.0	74.7	3/8"–16UNCx19.0
	P3	00: 1"	F08	26.2	52.4	25.4	74.7	3/8"–16UNCx19.0
	S	4"	F32	77.8	130.2	101.6	115.0	5/8"–11UNCx30.0
T7EEC(S)	P1	1–1/2"	F12	35.7	69.9	37.1	139.7	M12x30
	P2	1–1/2"	F12	35.7	69.9	37.1	98.6	M12x30
	P3	1"	F08	26.2	52.4	25.4	74.7	M10x19
	S	4"	F32	77.8	130.2	101.6	115.0	M16x30

T6GC,T7GB,T6GCC,T67GCB,T7GBB

Series Vane Pumps



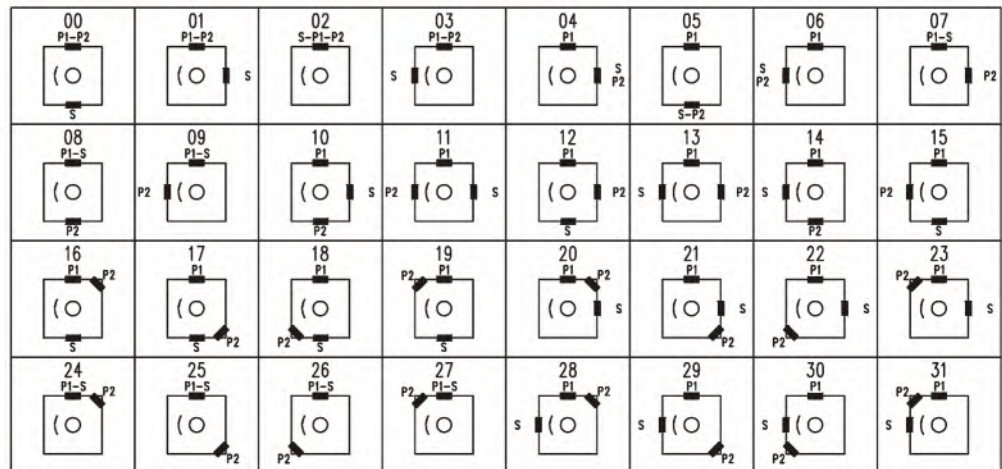
Model Designation

T6GCC	-B25	-B17	-6	R	02	-B	1	10
Series	Flow-shaft end Pump	Flow-cover end Pump	Shaft type	Rotation	Port Positions	Design number	Sealing Level	Port dimensions
T6GC	B03, B05, B06, B08, B10, B12, B14, B17, B20, B22, B25, B28, B31	No		Views from shaft end of pump	single pump	A	1-S1, NBR Nitrile rubber	00: Flange 1"BSPP 01: Flange SAE 4 bolts(UNC) See installation dimensions
T7GB	B02, B03, B04, B05, B06, B07, B08, B10, B12, B15				Views from shaft end of pump			
T6GCC	B03, B05, B06, B08, B10, B12, B14, B17, B20, B22, B25, B28, B31	B03, B05, B06, B08, B10, B12, B14, B17, B20, B22, B25, B28, B31	See size of shaft	right hand for clockwise left hand for clockwise	Double pump See picture below	B	5-S5, NBR Fluoro-rubber	00, 01, 10, 11 See installation dimensions
T67GCB	B03, B05, B06, B08, B10, B12, B14, B17, B20, B22, B25, B28, B31	B02, B03, B04, B05, B06, B07, B08, B10, B12, B15, B20						
T7GBB	B02, B03, B04, B05, B06, B07, B08, B10, B12, B15, B20	B02, B03, B04, B05, B06, B07, B08, B10, B12, B15, B20						

B03 B means the two steering valve plate structure.

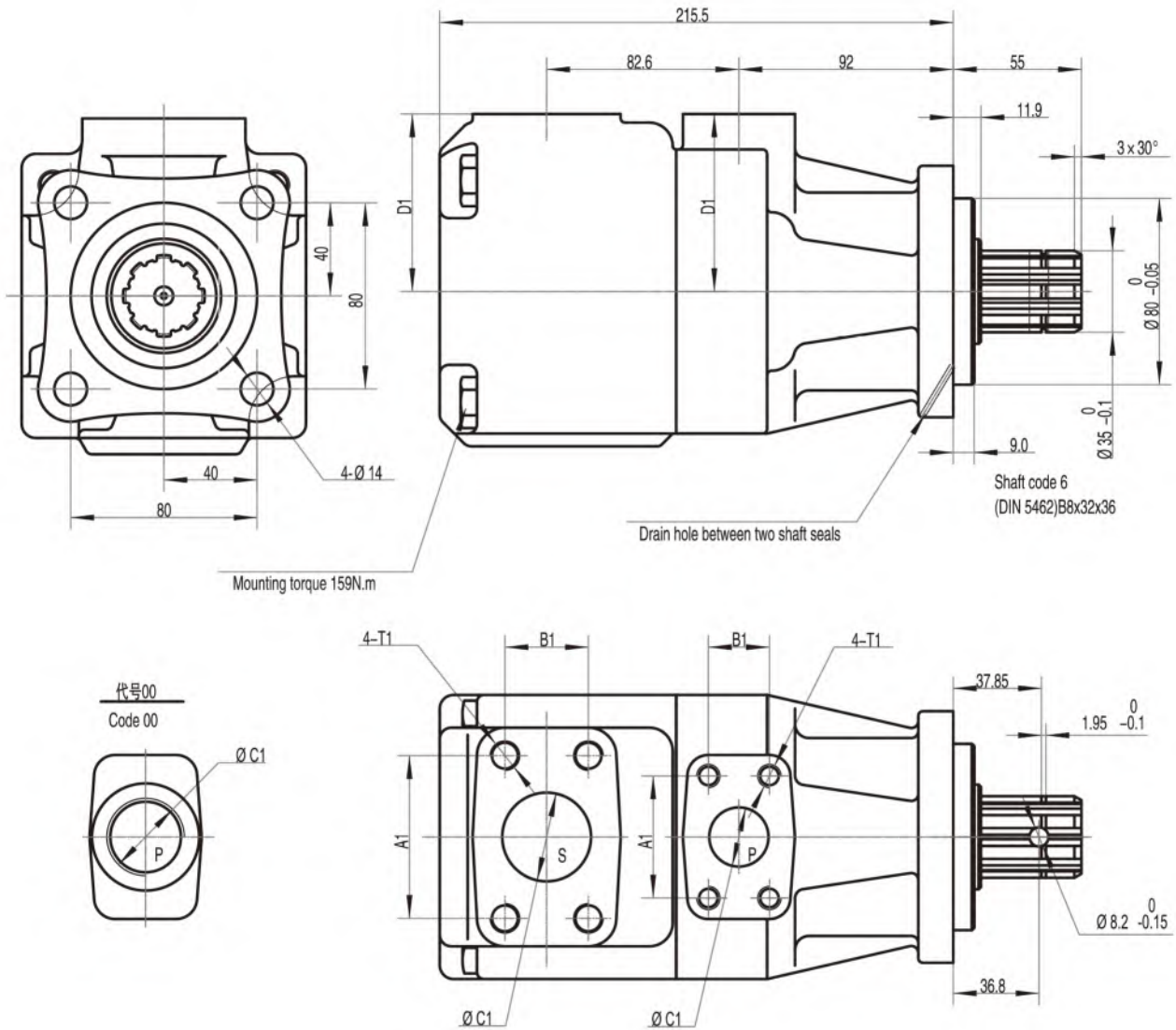
Port positions(Viewed from shaft end of pump)

T6GCC
T7GBB
T67GCB



Installation Dimensions

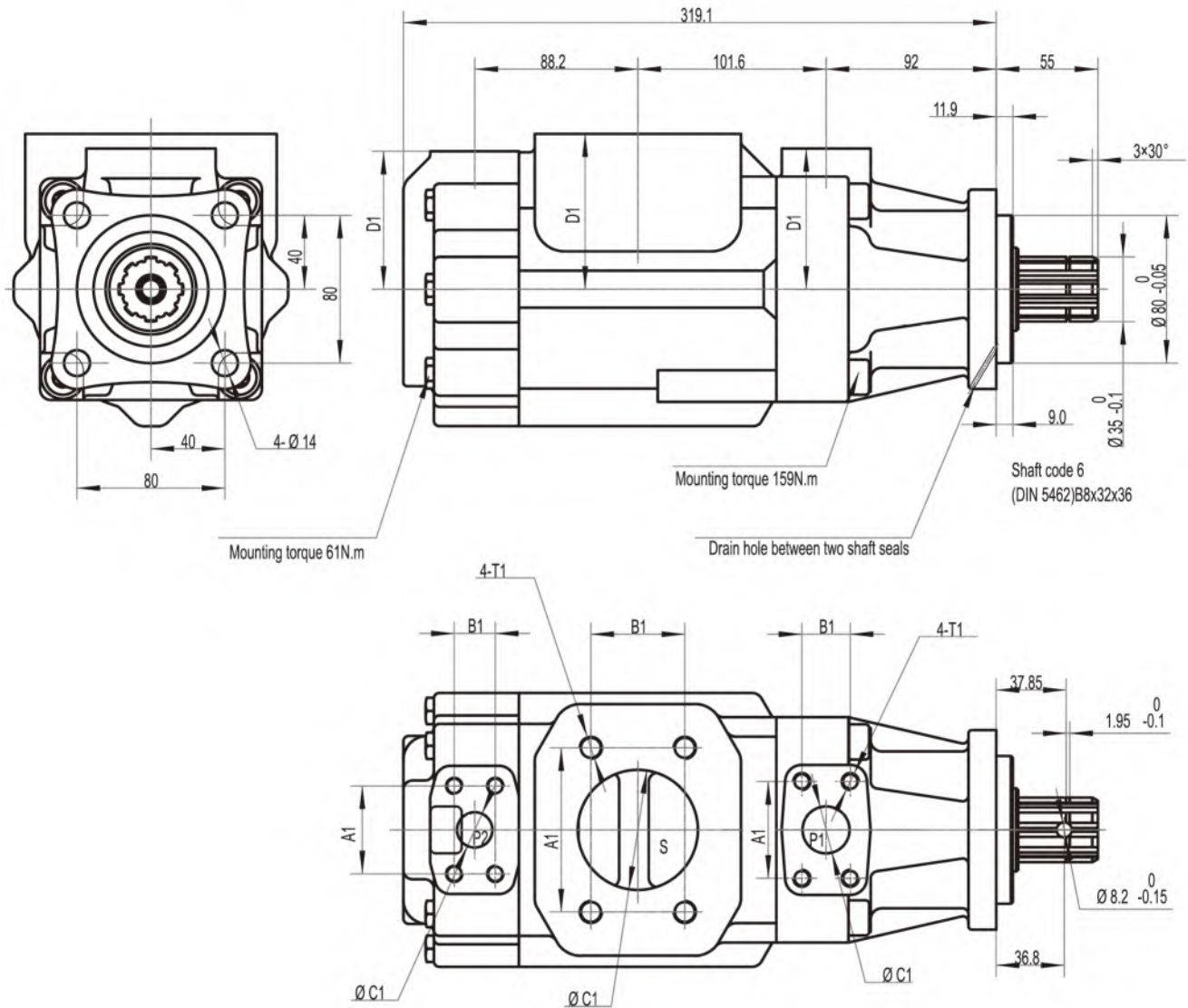
T6GC、T7GB



Oil port			Flange	Install Dimensions(mm)				
				A1	B1	ΦC1	D1	T1 Thread
T6GC T7GB	P	01: 1"	F08	26.2	52.4	25.4	76.2	3/8"-16UNCx19.0
		00: 1"BSPP	-	-	-	1"BSPP	79.5	-
	S	1-1/2"	F12	35.7	69.9	38.1	76.2	1/2"-13UNCx22.4

Installation Dimensions

T6GCC、T67GCB、T7GBB



Oil port		Flange	Install Dimensions(mm)					
			A1	B1	ΦC1	D1	T1 Thread	
T6GCC T67GCB T7GBB	P1	1"	F08	26.2	52.4	25.4	76.2	3/8"-16UNCx19.0
	P2	01-11: 3/4"	F06	22.2	47.6	19.0	76.2	3/8"-16UNCx19.0
		00-10: 1"	F08	26.2	52.4	25.4	74.7	
	S	10-11: 2-1/2"	F20	50.8	88.9	63.5	84.1	1/2"-13UNCx23.9
00-01: 3"		F24	61.9	106.4	76.2	84.1	5/8"-11UNCx28.4	

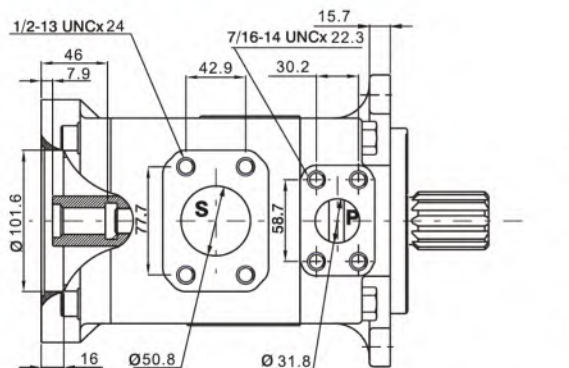
T6DR Series-vane Pumps



Model Designation

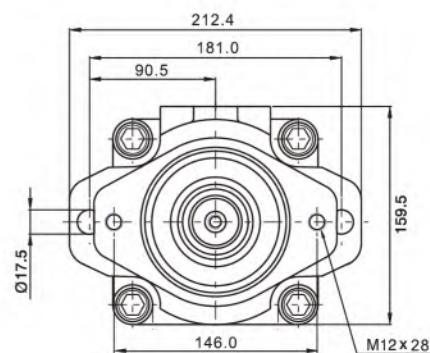
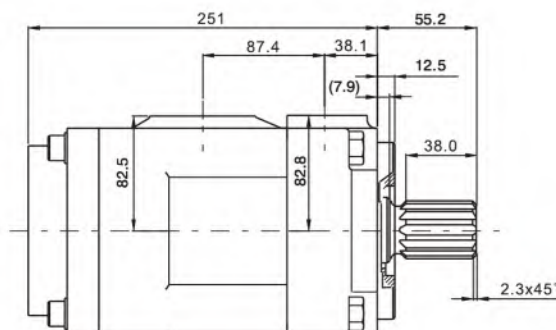
T6DR	-014	-3	R	00	B20	-A	1
Series	Flow code	Shaft type	Rotation	Outlet positions	Porting adaptor	Design number	Sealing Level
T6DR	014, 017, 020, 024, 028, 031, 035, 038, 042, 045, 050, 061	3 Splined (SAE C)	(Viewed from shaft end of pump) R-right hand for clockwise L-left hand for counter-clockwise	(Viewed from shaft end of pump) 00- Opposite inlet port 01- Inline with inlet 02- 90° CCW from inlet 03- 90° CW from inlet	 	A	1-S1, NBR Nitrile rubber 5-S5, Fluororubber

Installation Dimensions



Shaft code 3

SAE C SPLINED SHAFT
CLASS 1-J498 b
12/24 d.p. - 14 TEETH
30° PRESSURE ANGLE
FLAT ROOT SIDE FIT



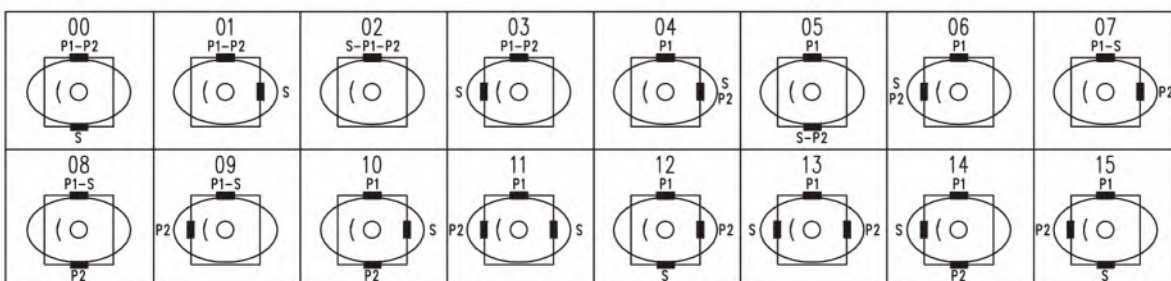
T7EE, T7EES Series-vane Pumps



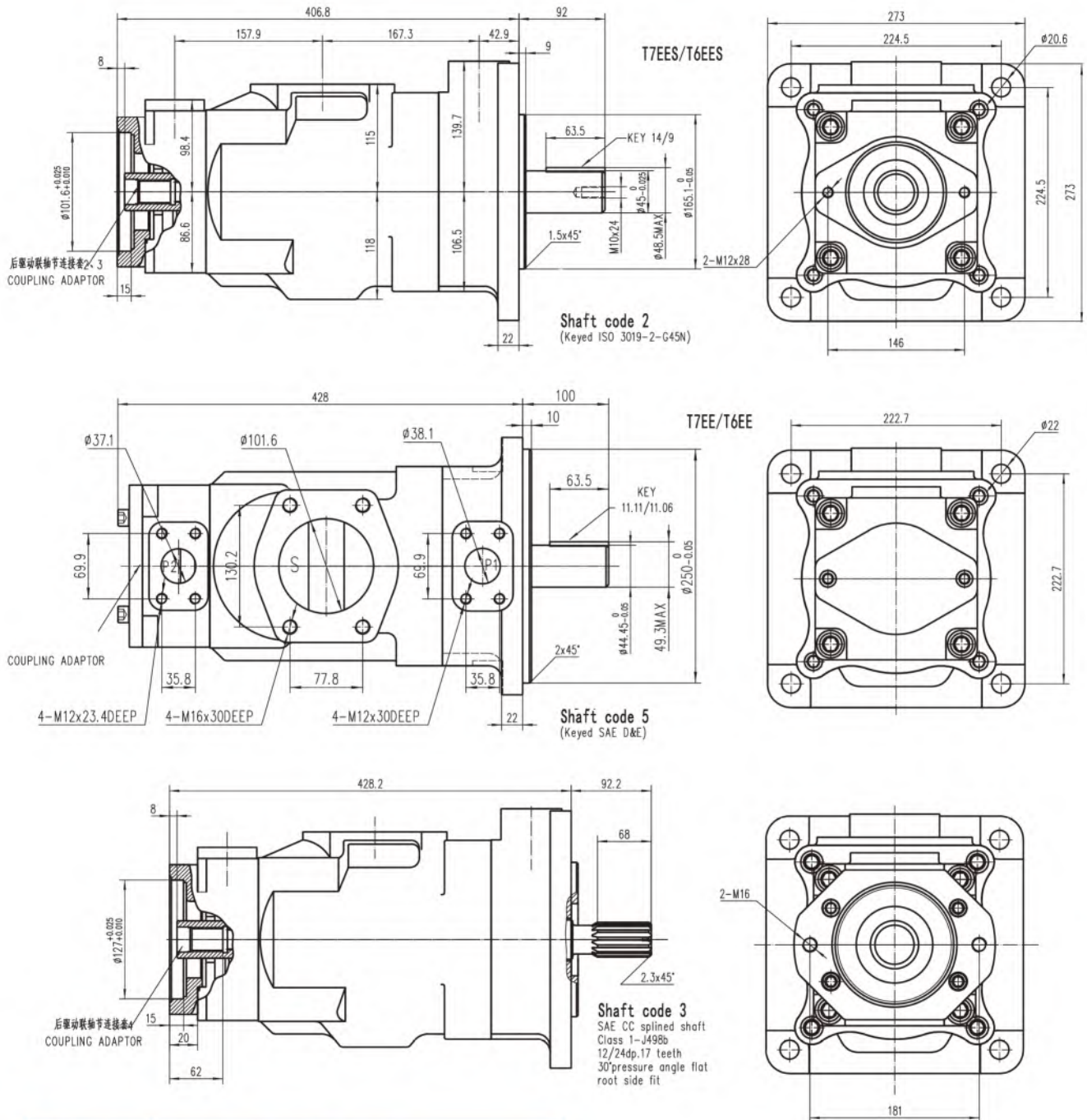
The maximum displacement of the double pump can reach 537.4mL/r, and the rear end can choose to drive vane pump, gear pump, and piston pump according to requirements.

T7EE	-62	-62	-2	R	00	-A	1	0	M0
Series	Flow-shaft end Pump	Flow-cover end Pump	Shaft type	Rotation	Port Positions	Design number	Sealing Level	Coupling adaptor	Port dimensions
T7EE\T6EE	042, 045, 050, 052, 057, 062, 066, 072, 085	042, 045, 050, 052, 057, 062, 066, 072, 085	2=keyed (ISO 3019-2-G45N)	Viewed from shaft end of pump	see picture below	A	1-S1, NBR Nitrile rubber 5-S5, Fluororubber	0= none	M0
T7EES\T6EES			3=splined (SAE CC) 17 teeth	L- left hand for counter-clockwise				2= SAE B 3= SAE BB 4= SAE C	
				R- right hand for clockwise					
				L- left hand for counter-clockwise					

Port positions(Viewed from shaft end of pump)

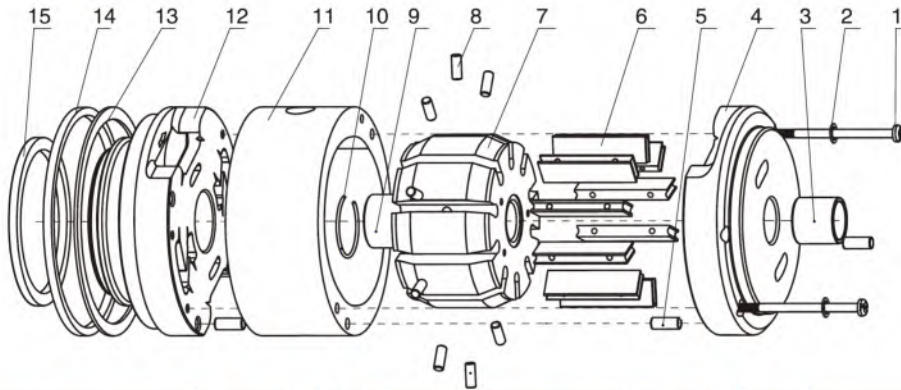
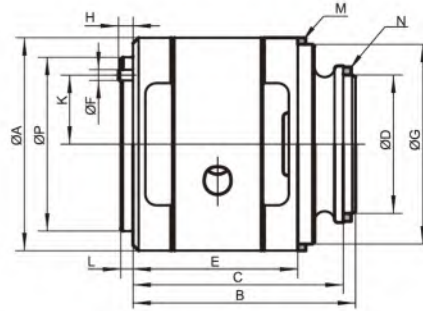


T7EE, T7EES Installation Dimensions



Coode	Coupling adaptor
0	No
2	SAE B -13 teeth -pitch 16/32 13齿 径节 16/32 Major dia (min) 22.225 Minor dia (min.) 19.126
3	SAE BB - 15 teeth - Pitch 16/32 15齿 径节 16/32 Major dia. (min.) 25.400 - Minor dia. (min.) 22.268
4	SAE C - 14 teeth - Pitch 12/24 14齿 径节 12/24 Major dia. (min.) 31.750 - Minor dia. (min.) 27.589

T6, T7 Series-cartridge



NO.	Part	Qty
1	slotted pan head screw	2
2	internal tooth seal kit	2
3	sliding bearing	1
4	inlet support plate	1
5	Pin	3

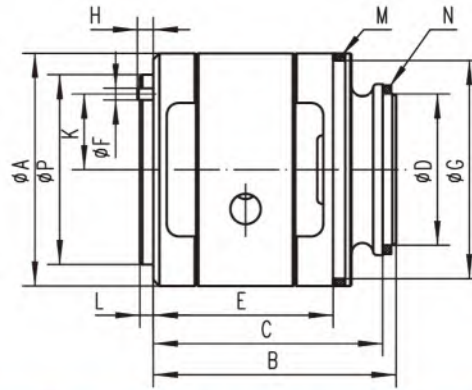
NO.	Part	Qty
6	kit vane	10 or 12
7	rotor	1
8	Pins	10 or 12
9	Seal bush	1
10	Roundwire snap rings for hole	1

NO.	Part	Qty
11	cam ring	1
12	outlet support plate	1
13	retainer	1
14	rectangle seal kit	1
15	rectangle seal kit	1

型号说明/Model Designation

Front cartridge	T6DC	-045	R	1
Cartridge name	Series	Flow code	Rotation	Sealing Level
Single pump cartridge Front cartridge	T7B(S), T7BB(S), T67CB, T67DB, T67EB, T67DBB, T67DCB, T67DDBS, T67EDB	B02, B03, B04, B05, B06, B07, B08, B10, B12, B15	Viewed from shaft end of pump	1-S1, NBR Nitrile rubber 5-S5, Fluororubber
Front cartridge of double or treble pump	T7D(S), T7DB(S), T7ED(S), T67DC, T67ED	B14, B17, B20, B22, B24, B28, B31, B35, B38, B42		
Middle cartridge of treble pump	T7E(S), T7EE(S), T7ED(S)	042, 045, 050, 052, 054, 057, 062, 066, 072, 085	R- right hand for clockwise	
Rear cartridge of double or treble pump	T6C, T6CC, T67CB, T6DC, T6EC, T6DCC, T67DCB, T6DDCS, T6EDC(S)	003/B03, 005/B05, 006/B06, 008/B08, 010/B10, 012/B12, 014/B14, 017/B17, 020/B20, 022/B22, 025/B25, 028/B28, 031/B31	L- left hand for counter-clockwise	
	T6D, T6DC, T67DB, T6ED, T6DCC, T67DBB, T67DCB, T6DDCS, T67DDBS, T6EDC(S), T67EDB	014/B14, 017/B17, 020/B20, 024/B24, 028/B28, 031/B31, 035/B35, 038/B38, 042/B42, 045/B45, 050/B50, 061		
	T6E, T6EC, T67EB, T6ED, T6EDC(S), T67EDB	042, 045, 050, 052, 057, 062, 066, 072, 085		

003/B03 In displacement code, 0 means single steering valve plate structure, B means the two steering valve plate structure. The data of relevant series ,model are unanimous.Please see T6 series-single pumps data.

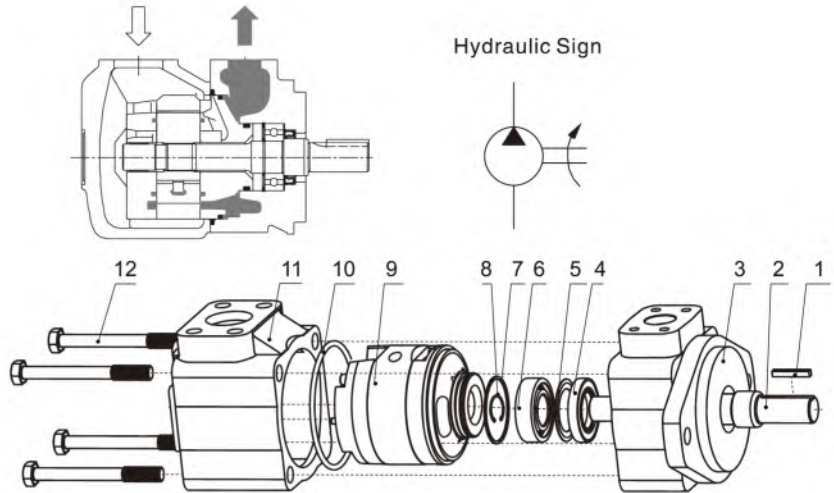


Model Designation

Cartridge name	Sliding bearing diameter	Φ A	B	C	Φ D	E	Φ F	Φ G	H	K	M (Rubber washer)	N (Rubber washer)	Φ P	L
Single pump cartridge T6C, T7B(S)	Φ 15.90													
Front cartridge T6CC, T67CB, T7BB(S)	No													
Rear cartridge T6CC, T7BB(S), T67CB, T6DCC, T67DBB, T67DCB, T6DDCS, T67DDBS, T6EDC(S), T67EDB	Φ 19.05	95.25	99.4	93.9	61.9	72.1	4.8	89.1	4.8	43.7	88.5 × 3.53	60 × 3.53	77.7	5.5
Rear cartridge T6DC, T7DB(S), T7EB(S), T67DB, T67DC, T6EC, T67EC, T67EB	Φ 22.225													
Middle cartridge T6DCC, T67DBB, T67DCB	No	95.25	83.4	77.3	52.6	-	4.8	-	4.8	43.7	89x2.4	52x2.4	77.7	5.5
Single pump cartridge T6D, T7D(S), Front cartridge T6DCC, T67DBB, T67DCB	Φ 22.225													
Front cartridge T6DC, T67DB, T7DB(S), T7DD(S), T67DC, T6DDCS, T67DDBS	No	123.0	132.4	125.8	71.9	102.2	6.4	108.1	8.0	41.2	107.5 × 3.53	69.5 × 3.53		
Rear cartridge T6ED, T7DD(S) Middle cartridge T6EDC(S), T67EDB	Φ 28.6													
Middle cartridge T6DDCS, T67DDBS Rear cartridge T7DD(S)	Φ 22.225												No	
Single pump cartridge T6E, T7E(S)	Φ 28.6													
Front cartridge T6ED, T6EC, T67EB, T7EB(S), T7ED(S), T7EE(S), T6EDC(S), T67EDB, T67EC	No	143.08	150.3	142.5	88.0	113.0	8.0	137.0	8.0	49.2	136.1 × 3.53	85.3 × 3.53		

Cartridge name	Inside spline tooth outline parameter of rotor				
	Number of teeth	Pitch	Pressure angle	Major diameter	Minor diameter
Front cartridge T6CC, T7BB(S), T67CB Middle cartridge T6DCC, T67DBB, T67DCB	32	40/80	45 °	21.41	19.9
Single pump cartridge T6C, T7B(S) Rear cartridge T6CC, T7BB(S), T7DB(S), T7DD(S), T7EB(S), T67CB, T6DC, T67DB, T6EC, T67EB, T67DC, T67EC, T6DCC, T67DBB, T67DCB, T6DDCS, T67DDBS, T6EDC(S), T67EDB	28	40/80	45 °	18.87	17.4
Single pump cartridge T6D Front cartridge T6DC, T67DB, T6DCC, T67DBB, T67DCB, T6DDCS, T67DDBS, Middle cartridge T6EDC(S), T67EDB Rear cartridge T6ED, T7ED(S), T7EE(S)	25	24/48	45 °	28.19	25.8
Middle cartridge T6DDCS, T67DDBS	20	24/48	45 °	22.89	20.5
Single pump cartridge T6E, T7E(S) Front cartridge T6EC, T67EB, T6ED, T6EDC(S), T67EDB	34	24/48	45 °	37.72	35.4

V Series-single Pumps



NO.	Part	Qty
1	straight key	1
2	shaft	1
3	Front cover	1
4	shaft seal	1

NO.	Part	Qty
5	gasket	1
6	Ball bearing	1
7	pile type retainer	1
8	cir clip for shaft	1

NO.	Part	Qty
9	cartridge	1
10	O ring	1
11	Rear cover	1
12	hexagon headed bolt	4

High Performance Intravane Pumps for plastic injection machinery, Shoe machinery, Tool machinery, Die casting machinery and Metal I urge equipment.

Features

1. Intravane pumps with hydraulic balancing structure provide more stable performance and longer life since less pressure from vane on stator.
2. Twelve vane system provide low amplitude flow pulsation resulting in low system noise characteristics.
3. Various displacement and shafts with 4 different outlet opposite position make operation more flexible.
4. The cartridge is independent of the drive shaft, allowing for easy servicing without remove the pump from its mounting.

Model Designation

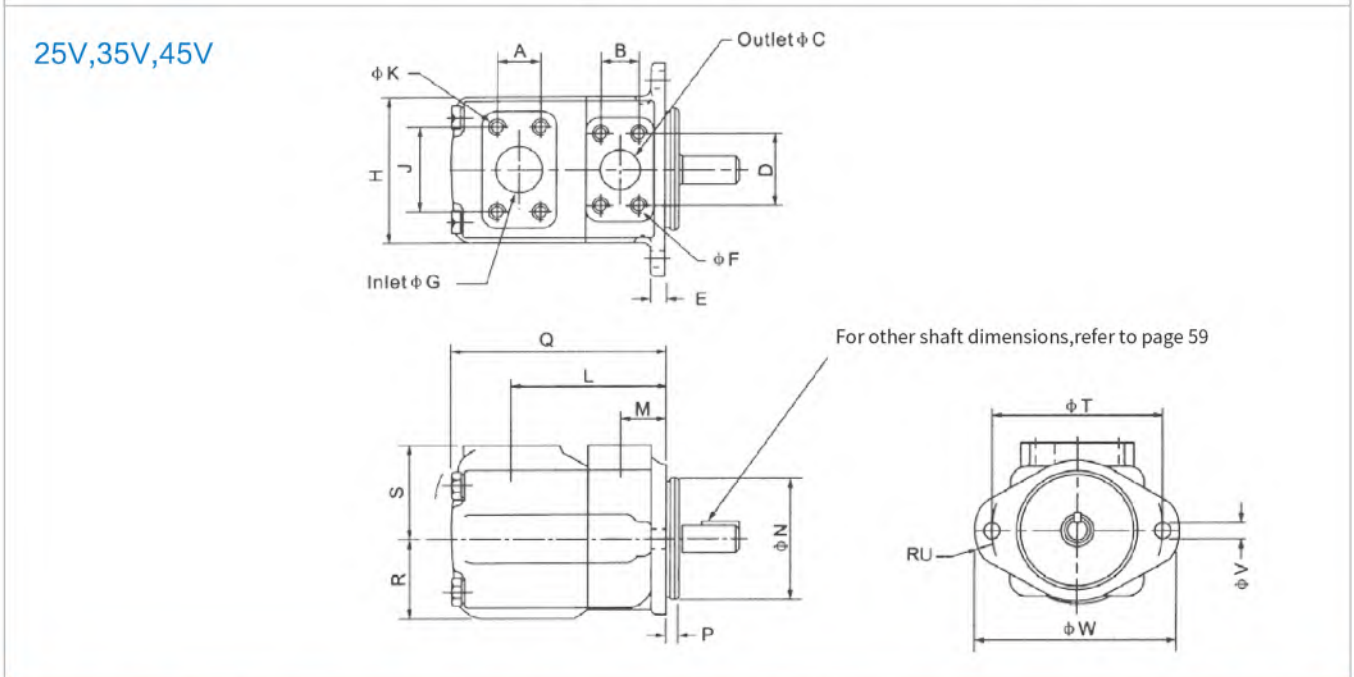
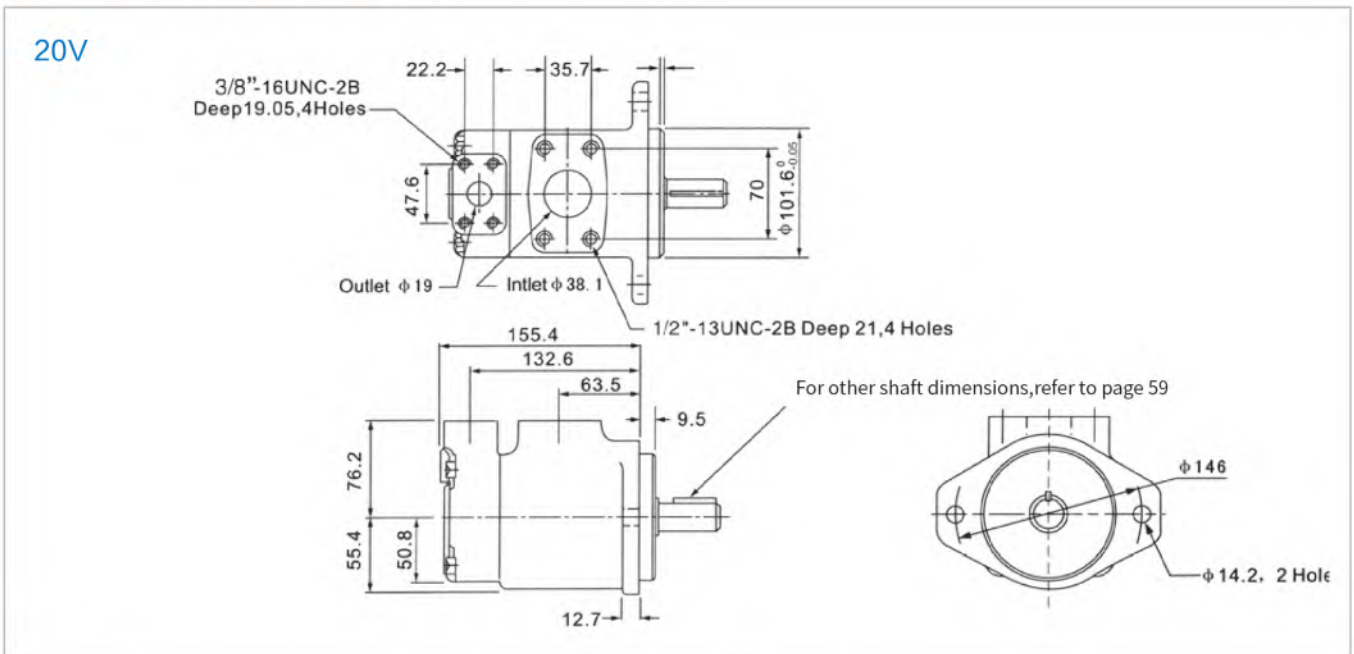
(F3-)	25V	19	A	-1	A	22	R
Note	Series	Flow code	Port connections	Shaft type	Outlet positions	Design number	Rotation
No-marking: Petroleum series oil	20V	2, 3, 4, 5, 6, 7, 8, 9, 10, 11, 12, 14	A-SAE 4-bolt flange	1- 151- Spline Str key	(Viewed from cover end of pump) A- Opposite inlet B- 90° CCW from inlet C- Inline with inlet D- 90° CW from inlet	22	(Viewed from shaft end of pump) R- right hand for clockwise L- left hand for counter-clockwise
emulsification fluid	25V	10, 12, 14, 15, 17, 19, 21, 25		1- Str key			
water glycol-fluid F3:	35V	21, 25, 30, 32, 35, 38, 45		86- HD Str key			
phosphate ester fluid	45V	42, 45, 50, 57, 60, 66, 75		11- Spline			

▲ USgpm Flow(USgpm) at 1200r/min and 0.69MPa

Technical Data

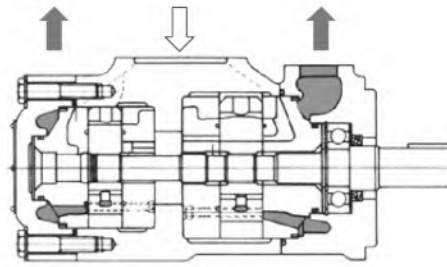
series	Flow code (USgpm)	Geometric displacement mL/r(in ³ /r)	With antiwear hydraulic oil tri phosphate ester fluid		With water glycol fluid		With water–oil emulsions		Min. speed
			Max.operating pressure MPa	Max.speed r/min	Max.operating pressure MPa	Max.speed r/min	Max.operating pressure MPa	Max.speed r/min	
20V	2	7.5(0.46)	13.8	1800	13.8	1500	6.9	1200	600
	3	10(0.61)							
	4	13(0.79)							
	5	16.5(1.01)	20.7						
	6	19(1.16)							
	7	23(1.40)							
	8	27(1.67)							
	9	30(1.85)							
	10	32(1.95)							
	11	36(2.20)							
	12	40(2.44)	15.9		13.8				
14	45(2.78)	13.8							
25V	10	32.5(1.98)	17.2	1800	15.9	1500	6.9	1500	600
	12	39(2.38)							
	14	45(2.78)							
	15	47(2.89)							
	17	55(3.36)							
	19	60(3.66)							
	21	67(4.13)							
25	81(4.94)								
35V	21	67(4.13)	17.2	1800	15.9	1500	6.9	1500	600
	25	81(4.94)							
	30	97(5.91)							
	32	101(6.16)							
	35	112(6.83)							
	38	121(7.37)							
	45	147(8.95)	13.8		13.8				
45V	42	138(8.41)	17.2	1800	15.9	1500	6.9	1500	600
	45	147(8.95)							
	50	162(9.85)							
	57	181(11.05)							
	60	193(11.75)							
	66	212(12.93)							
	75	237(14.46)	13.8		13.8				

Installation Dimensions

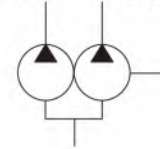


Model	A	B	ØC	D	E	ØG	H	J	L	M	N	P	Q	R
25V	35.7	26.2	25.4	52.4	12.7	38.1	118	69.9	121	38.1	101.60/101.55	9.53	162.1	63.5
35V	42.9	30.2	31.8	58.7	16	50.8	140	77.8	125.5	38.1	127.00/126.95	9.53	185	69.9
45V	61.9	35.7	38.1	69.9	16	76.2	159	106.4	153	43	127.00/126.95	12.7	216	82.6
Model	S	T	RU	ØV	W	ØX	ØFx full thread depth, 4 holes		ØKx full thread depth, 4 holes					
25V	76.2	146	14	14.2	175	121	3/8-16UNC-2BX19.1		1/2-13UNC-2BX23.8					
35V	82.6	181	16	17.5	213	148	7/16-14UNC-2BX22.3		1/2-13UNC-2BX22.3					
45V	93.7	181	16	17.5	213	148	1/2-13UNC-2BX23.8		5/8-11UNC-2BX25.4					

V Series-double Pumps



Hydraulic Sign



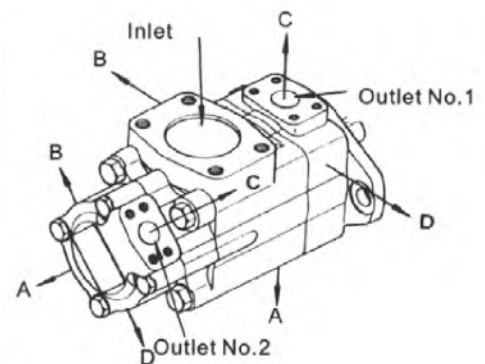
Model Designation

(F3–)	3525V	38	A	17	–1	AB	22	R
Note	Series	Flow–Shaft end code	Port connections	Flow–Cover end code	Shaft type	Outlet positions	Design number	Rotation
No–marking: Petroleum series oil emulsification fluid water glycol–fluid F3: phosphate ester fluid	2520V	10, 12, 14, 15, 17, 19, 21, 25	A–SAE 4–bolt flange	2, 3, 4, 5, 6, 7, 8, 9, 10, 11, 12, 14	1– Str key 86– HD Str key 11– Spline	See below	22	(Viewed from shaft end of pump) R– right hand for clockwise L– left hand for counter–clockwise
	3520V	21, 25, 30, 32, 35, 38, 45		2, 3, 4, 5, 6, 7, 8, 9, 10, 11, 12, 14				
	3525V	21, 25, 30, 32, 35, 38, 45		10, 12, 14, 15, 17, 19, 21, 25				
	4520V	42, 45, 50, 57, 60, 66, 75		2, 3, 4, 5, 6, 7, 8, 9, 10, 11, 12, 14				
	4525V	42, 45, 50, 57, 60, 66, 75		10, 12, 14, 15, 17, 19, 21, 25				
4535V	42, 45, 50, 57, 60, 66, 75	21, 25, 30, 32, 35, 38, 45						

▲ USgpm Flow(USgpm) at 1200r/min and 0.69MPa

Outlet Porsitions (Viewed from cover end of pump)

Outlet positions		All series except 4535V	4535V
No. 1 outlet opposite inlet	AA	No.2 outlet 135° CCW from inlet	No.2 outlet opposite inlet
	AB	No.2 outlet 45° CCW from inlet	No.2 outlet 90° CCW from inlet
	AC	No.2 outlet 45° CW from inlet	No.2 outlet inline with inlet
	AD	No.2 outlet 135° CW from inlet	No.2 outlet 90° CW from inlet
No. 1 outlet 90° CCW from inlet	BA	No.2 outlet 135° CCW from inlet	No.2 outlet opposite inlet
	BB	No.2 outlet 45° CCW from inlet	No.2 outlet 90° CCW from inlet
	BC	No.2 outlet 45° CW from inlet	No.2 outlet inline with inlet
	BD	No.2 outlet 135° CW from inlet	No.2 outlet 90° CW from inlet

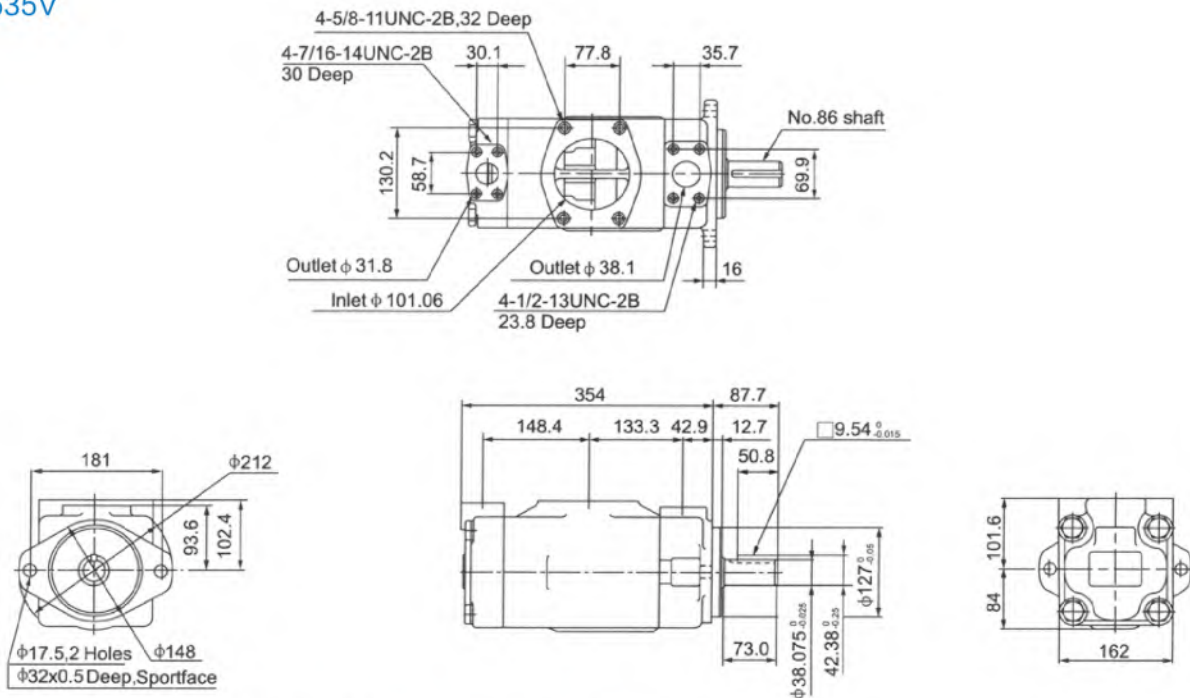


Outlet Positions (Viewed from cover end of pump)

Outlet positions		All series except 4535V	4535V
No.1 outlet inline with inlet	CA	No.2 outlet 135° CCW from inlet	No.2 outlet opposite inlet
	CB	No.2 outlet 45° CCW from inlet	No.2 outlet 90° CCW from inlet
	CC	No.2 outlet 45° CW from inlet	No.2 outlet inline with inlet
	CD	No.2 outlet 135° CW from inlet	No.2 outlet 90° CW from inlet
No.1 outlet 90° CW from inlet	DA	No.2 outlet 135° CCW from inlet	No.2 outlet opposite inlet
	DB	No.2 outlet 45° CCW from inlet	No.2 outlet 90° CCW from inlet
	DC	No.2 outlet 45° CW from inlet	No.2 outlet inline with inlet
	DD	No.2 outlet 135° CW from inlet	No.2 outlet 90° CW from inlet

Installation Dimensions

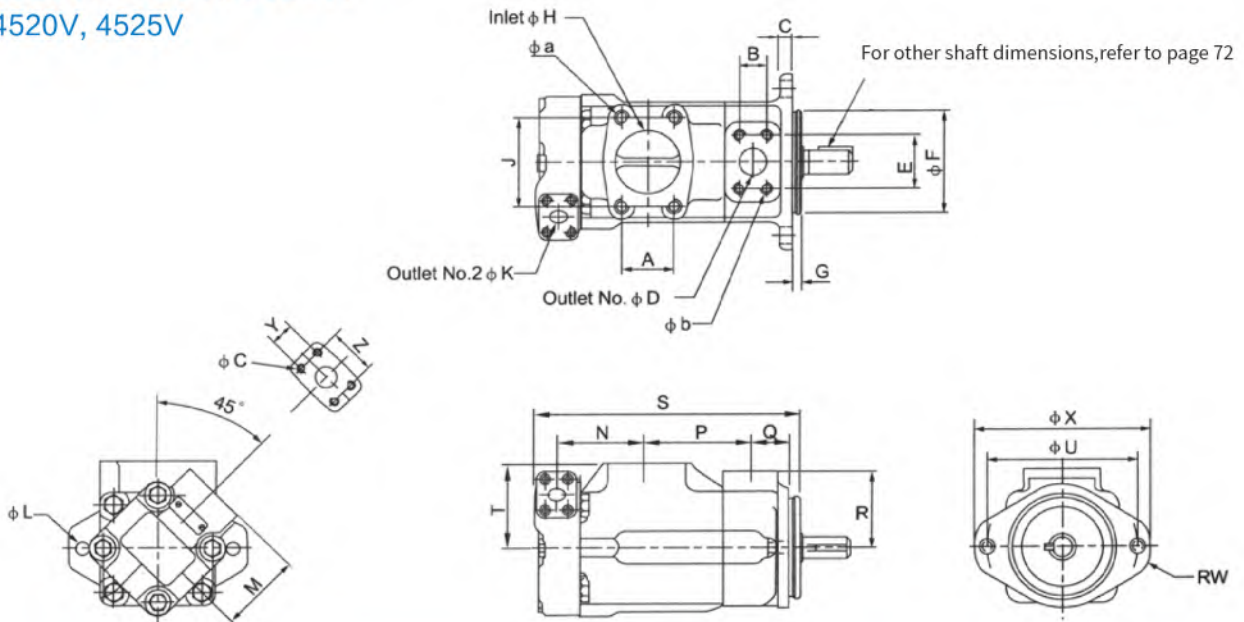
4535V



For other shaft dimensions, refer to page 72

Installation Dimensions

2520V, 3520V, 3525V,
4520V, 4525V

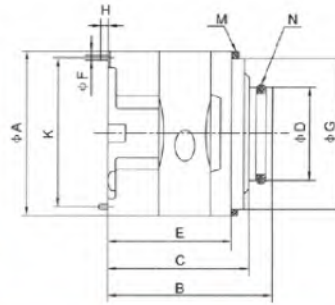


Model	Øa x full thread depth,4 holes	Øb x full thread depth,4 holes	Øc x full thread depth,4 holes
2520V	1/2-13UNC-2Bx23.8	3/8-16UNC-2Bx19.1	3/8-16UNC-2Bx19.1
3520V	5/8-11UNC-2Bx30.0	7/16-14UNC-2Bx22.3	3/8-16UNC-2Bx19.1
3525V	5/8-11UNC-2Bx30.0	7/16-14UNC-2Bx22.3	3/8-16UNC-2Bx19.1
4520V	5/8-11UNC-2Bx30.0	1/2-13UNC-2Bx23.8	3/8-16UNC-2Bx19.1
4525V	5/8-11UNC-2Bx30.0	1/2-13UNC-2Bx23.8	3/8-16UNC-2Bx19.1

Model	A	B	C	ØD	E	ØF	G	ØH	J	ØK	ØL	M
2520V	50.8	26.2	12.7	25.4	52.4	101.60/101.55	9.53	63.5	88.9	19.1	14.2	76.2
3520V	62	30.1	15.9	31.7	58.7	127.00/126.95	9.53	76.2	106.3	19.1	17.5	76.2
3525V	62	30.1	15.9	31.7	58.7	127.00/126.95	9.53	76.2	106.3	25.4	17.5	74.7
4520V	69.9	35.7	15.9	38.1	69.9	127.00/126.95	12.7	88.9	120.6	19.1	17.5	76.2
4525V	69.9	35.7	15.9	38.1	69.9	127.00/126.95	12.7	88.9	120.6	25.4	17.5	74.7

Model	N	P	Q	R	S	T	ØU	ØV	RW	ØX	Y	Z
2520V	88.1	101.6	38.1	76.2	250	85.3	146.1	120.7	14	174.7	22.2	47.6
3520V	99.6	114.3	38.1	82.6	273.3	88.9	181	148	16	213	22.2	47.6
3525V	109.5	114.3	38.1	82.6	287.3	88.9	181	148	16	213	26.2	52.4
4520V	120	119.4	42.9	93.7	303.5	102.4	181	148	16	213	22.2	47.6
4525V	136	119.4	42.9	93.7	325	102.4	181	148	16	213	26.2	52.4

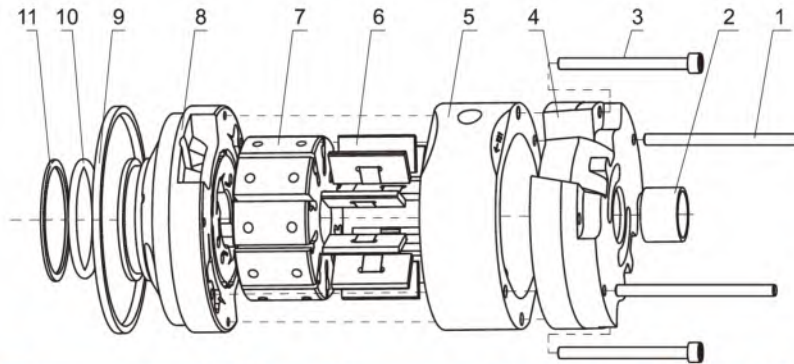
V Series-cartridge



Model Designation

(F3-)	PC-	25V	19	R	10
Note	Cartridge mark	Series	Flow code	Rotation	Design number
No-marking: Petroleum series oil emulsification fluid water glycol-fluid F3: phosphate ester fluid	PC- Cartridge kit of single pump double pump shaft end	20V	2, 3, 4, 5, 6, 7, 8, 9, 10, 11, 12, 14	(Viewed from shaft end of pump) L- Left hand for counter clockwise R- Right hand for clockwise	10
		25V	10, 12, 14, 15, 17, 19, 21, 25		
	PCT- Cartridge kit of double pump cover end	35V	21, 25, 30, 32, 35, 38, 45		
		45V	42, 45, 50, 57, 60, 66, 75		

▲ USgpm Flow(USgpm) at 1200r/min and 0.69MPa.
 The data of relevant series, model are unanimous. Please see V series-single pump data.



NO.	Part	Qty	NO.	Part	Qty	NO.	Part	Qty
1	Pin	2	5	cam ring	1	9	Retainer	1
2	sliding bearing	1	6	vane kit	12	10	O ring	1
3	cross pan head bolts	2	7	Rotor	1	11	Retainer	1
4	inlet support plate	1	8	outlet support plate	1			

系列号 Series	ØA	B	C	ØD	E	ØF	ØG	H	K	M (Gasket)	M (O-Ring)
20V	82.55	81.5	70.1	47	61.5	4.8	76.2	7	73.6	82.76x76.26x3.5	40x3.55
25V	96.8	98.8	87	52.2	71.2	4.8	90.5	7	88.19	97x91x3.5	44x3.53
35V	114.3	117.7	105	72.2	90.3	6.4	108	8	103.94	114.5x108.5x3.5	63.09x3.53
45V	133.35	141.1	129.6	80.2	105.5	6.4	127	8	123.8	133.6x127.6x3.5	71x3.55

Inside spline tooth outline parameter of rotor

Series	Number of teeth	Pitch	Pressure angle	Major Diameter	Minor Diameter
20V	30	48/96	45°	16.617	15.56
25V	40	48/96	45°	21.9	20.86
35V	37	40/80	45°	24.38	23.10
45V	14	12/24	30°	32.59	27.6

VQ Series-vane Pumps

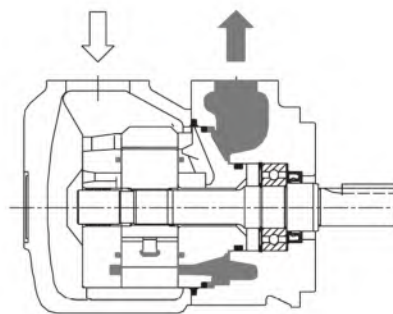
Product Introduction

The high-pressure and high-performance Intra-vane pumps for Mobile Equipment.

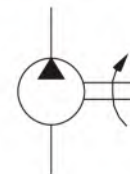
Features:

1. To adopt balanced hydraulic for the struction of Intra-vane and ten-Vane design, higher Pressure, top to 21 MPa.
2. To adopt floating structure for side plate, it will do a compensation for end-face clearance by automatic, so that even the pump under high pressure it can maintain a high volumetric efficiency.
3. The side plate is made of dual-metal material, it improved the seizure resistance. and so that the life of pump will be longer

VQ Series-single Pumps



Hydraulic Sign



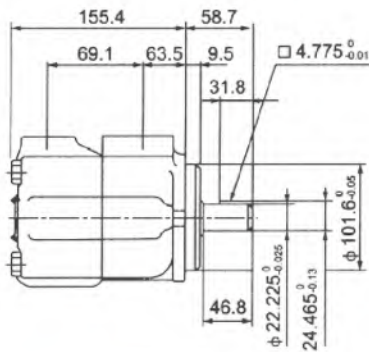
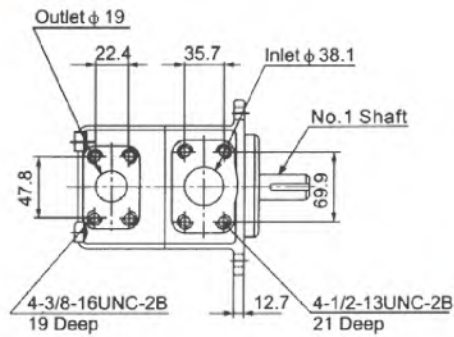
(F3-)	25VQ	19	A	(F)	-1	A	30	R
Note	Series	Flow code	Port connections	Installation type	Shaft type	Outlet positions	Design number	Rotation
No-marking	20VQ	2, 3, 4, 5, 6, 7, 8, 9, 10, 11, 12, 14	A-SAE 4 bolt flange	No-marking	1 Str key 151 Spline	(Viewed from cover end of pump) A- Opposite inlet port	30	(Viewed from shaft end of pump) R - right hand for clockwise L - left hand for counter-clockwise
Petroleum series oil emulsification fluid	25VQ	10, 12, 14, 15, 17, 19, 21, 25		Flange Mounting	1 Str key 86 HD str key	B- 90° CCW from inlet	20	
water glycol-fluid	35VQ	21, 25, 30, 32, 35, 38, 45		F-Foot Mounition	11 Spline	C- Inline with inlet		
F3: phosphate ester fluid	45VQ	42, 45, 50, 57, 60, 66, 75				D- 90° CW from inlet		

▲ USgpm Flow(USgpm) at 1200r/min and 0.69MPa

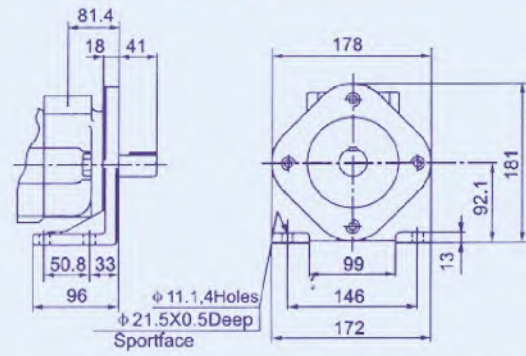
Technical Data

series	Flow code (USgpm)	Geometric displacement mL/r	Max. operating pressure Mpa	Max. speed r/min	Min. speed r/min
20VQ	2	7(0.43)	21	2700	600
	3	10(0.61)			
	4	13(0.79)			
	5	16.5(1.01)			
	6	19(1.16)			
	7	22(1.40)			
	8	27(1.67)			
	9	30(1.85)			
	10	31.5(1.92)			
	11	35(2.14)			
	12	40(2.44)	16		
	14	45(2.78)	14		
25VQ	10	32(1.95)	21	2700	600
	12	38(2.32)		2500	
	14	43.5(2.65)			
	15	47(2.89)			
	17	54(3.30)			
	19	60(3.66)			
	21	67(4.13)			
	25	79.2(4.83)			
35VQ	21	67(4.13)	21	2500	600
	25	81(4.94)			
	30	95(5.80)			
	32	101(6.16)			
	35	109(6.65)			
	38	119(7.26)			
	45	143(8.72)	14	2400	
45VQ	42	134(8.17)	17.5	2400	600
	45	143(8.72)		2200	
	50	159(9.70)			
	57	181(11.05)			
	60	189(11.53)			
	66	210(12.81)			
	75	237(14.46)	14		

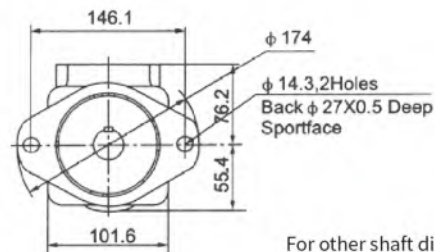
20VQ Flange Mounting



20VQ Foot Mounting

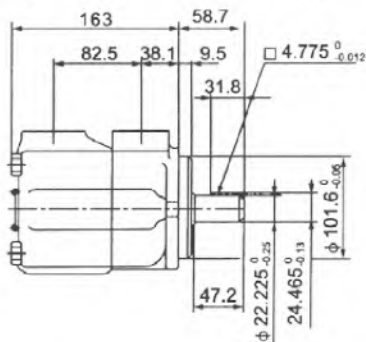
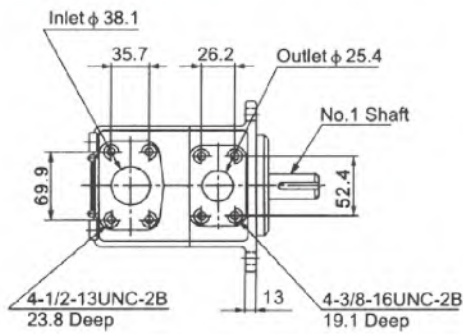


For other dimensions, refer to "Flange Mounting" type.

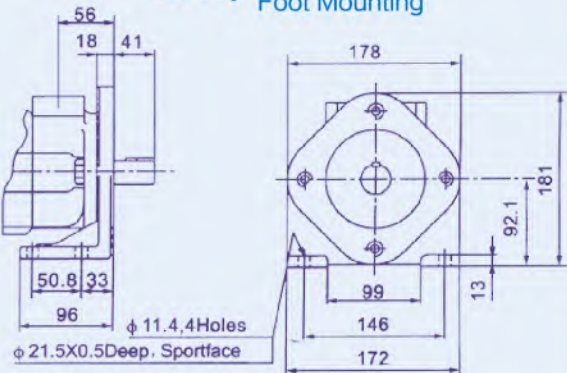


For other shaft dimensions, refer to page 72

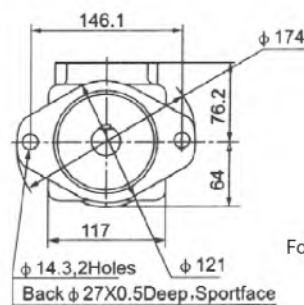
25VQ 法兰安装尺寸
Flange Mounting



25VQ 脚座安装尺寸
Foot Mounting

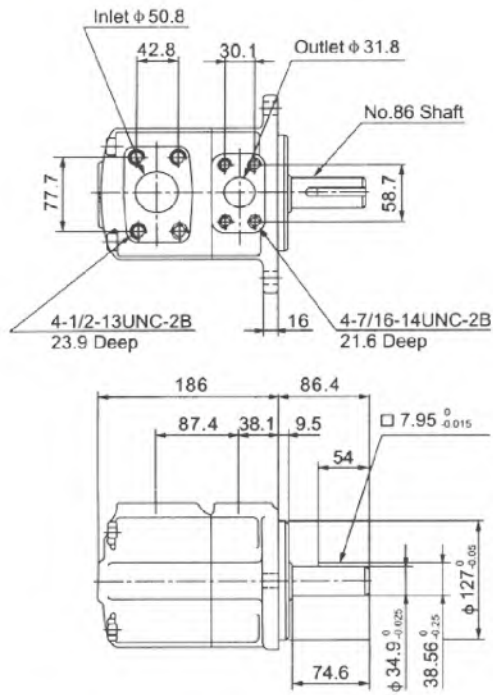


For other dimensions, refer to "Flange Mounting" type.

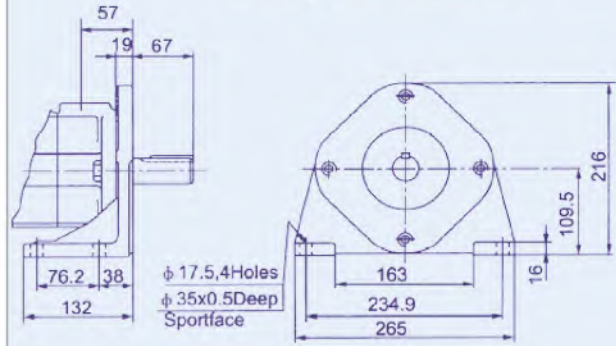


For other shaft dimensions, refer to page 72

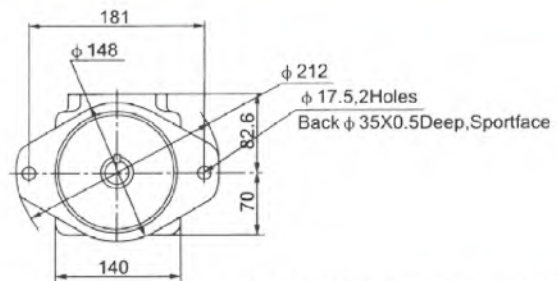
35VQ Flange Mounting



35VQ Foot Mounting

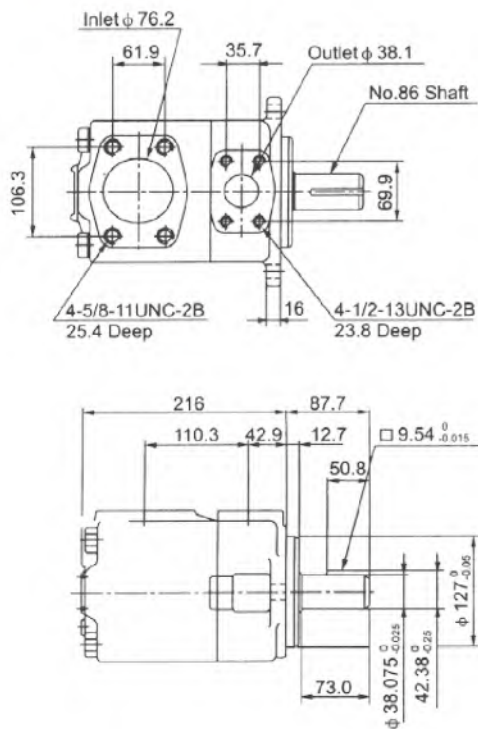


For other dimensions, refer to "Flange Mounting" type.

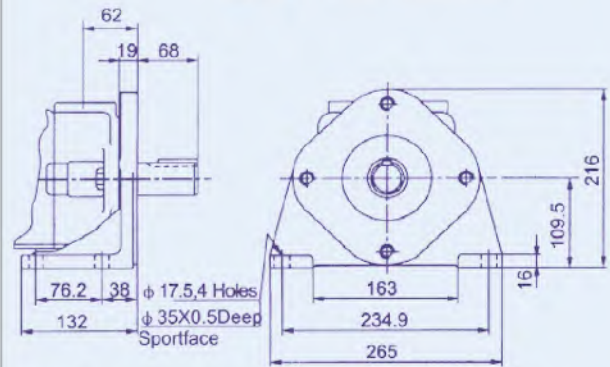


For other shaft dimensions, refer to page 72

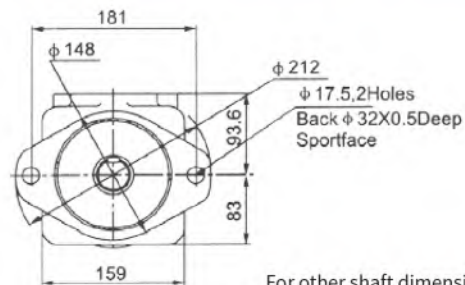
45VQ Flange Mounting



45VQ Foot Mounting

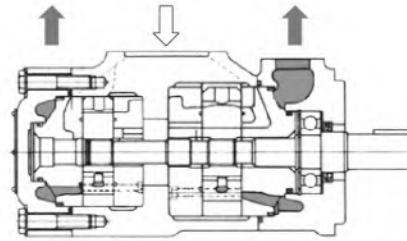


For other dimensions, refer to "Flange Mounting" type.

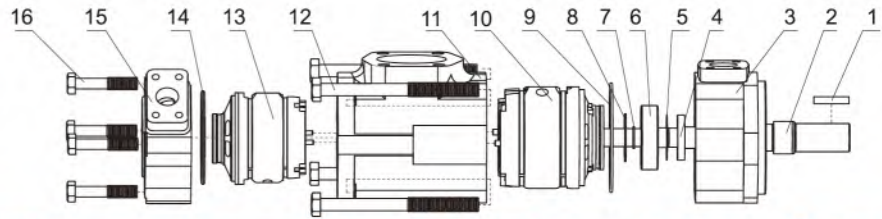
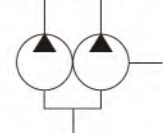


For other shaft dimensions, refer to page 72

VQ Series-double Pumps



Hydraulic Sign



序号NO.	名称Part	数量Qty	序号NO.	名称Part	数量Qty	序号NO.	名称Part	数量Qty
1	straight key	1	7	cir clip for shaft	1	13	rear cartridge	1
2	shaft	1	8	pile type retainer	1	14	O ring	1
3	front cover	1	9	O ring	1	15	rear cartridge	1
4	shaft seal	1	10	front cartridge	1	16	hexagon headed bolt	4
5	gasket	1	11	body	1			
6	ball bearing	1	12	hexagon headed bolt	4			

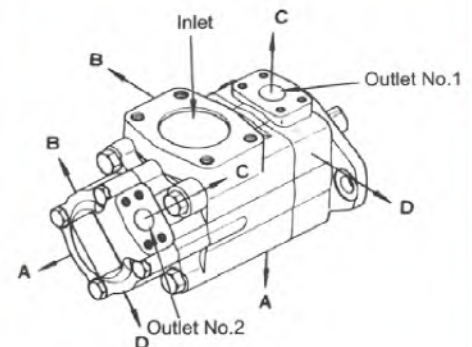
Model Designation

(F3-)	3525VQ	38	A	17	(F)	-1	AB	22	R
Note	Series	Flow—Shaft end code	Port connections	Flow—Cover end code	Installation type	Shaft type	Outlet positions	Design number	Rotation
No-marking:	2520VQ	10, 12, 14, 15, 17, 19, 21, 25	A—SAE 4-bolt flange	2, 3, 4, 5, 6, 7, 8, 9, 10, 11, 12, 14	No-marking: Flange Mounting F—Foot Mounition	1— Str key 86—HD Str key 11— Spline	See below	20	(Viewed from shaft end of pump) R— right hand for clockwise L— left hand for counter-clockwise
Petroleum series oil	3520VQ	21, 25, 30, 32, 35, 38, 45		2, 3, 4, 5, 6, 7, 8, 9, 10, 11, 12, 14					
emulsification fluid	3525VQ	21, 25, 30, 32, 35, 38, 45		10, 12, 14, 15, 17, 19, 21, 25					
water glycol—fluid	4520VQ	42, 45, 50, 57, 60, 66, 75		2, 3, 4, 5, 6, 7, 8, 9, 10, 11, 12, 14					
F3: phosphate ester fluid	4525VQ	42, 45, 50, 57, 60, 66, 75		10, 12, 14, 15, 17, 19, 21, 25					
	4535VQ	42, 45, 50, 57, 60, 66, 75		21, 25, 30, 32, 35, 38, 45					

▲ USgpm Flow(USgpm) at 1200r/min and 0.69MPa

Outlet Porsitions (Viewed from cover end of pump)

Outlet positions		All series except 4535VQ	4535VQ
NO.1 outlet opposite inlet	AA	NO.2 outlet 135° CCW from inlet	NO.2 outlet opposite inlet
	AB	NO.2 outlet 45° CCW from inlet	NO.2 outlet 90° CCW from inlet
	AC	NO.2 outlet 45° CW from inlet	NO.2 outlet inline with inlet
	AD	NO.2 outlet 135° CW from inlet	NO.2 outlet 90° CW from inlet
NO.1 outlet 90° CCW from inlet	BA	NO.2 outlet 135° CCW from inlet	NO.2 outlet opposite inlet
	BB	NO.2 outlet 45° CCW from inlet	NO.2 outlet 90° CCW from inlet
	BC	NO.2 outlet 45° CW from inlet	NO.2 outlet inline with inlet
	BD	NO.2 outlet 135° CW from inlet	NO.2 outlet 90° CW from inlet



Outlet Positions (Viewed from cover end of pump)

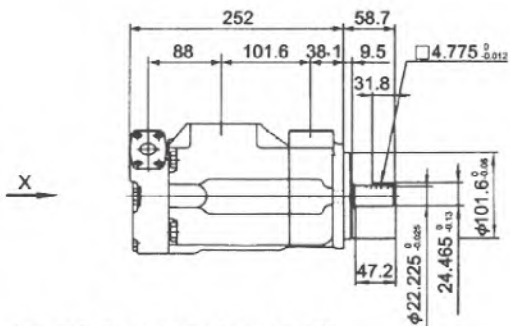
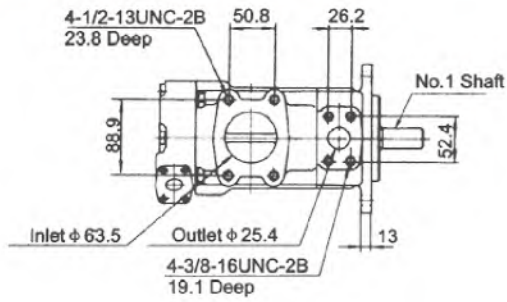
Outlet positions		All series except 4535VQ	4535VQ
NO.1 outlet inline with inlet	CA	NO.2 outlet 135° CCW from inlet	NO.2 outlet opposite inlet
	CB	NO.2 outlet 45° CCW from inlet	NO.2 outlet 90° CCW from inlet
	CC	NO.2 outlet 45° CW from inlet	NO.2 outlet inline with inlet
	CD	NO.2 outlet 135° CW from inlet	NO.2 outlet 90° CW from inlet
NO.1 outlet 90° CW from inlet	DA	NO.2 outlet 135° CCW from inlet	NO.2 outlet opposite inlet
	DB	NO.2 outlet 45° CCW from inlet	NO.2 outlet 90° CCW from inlet
	DC	NO.2 outlet 45° CW from inlet	NO.2 outlet inline with inlet
	DD	NO.2 outlet 135° CW from inlet	NO.2 outlet 90° CW from inlet

Product Weight

Product name	Series	Weight Kg	Product name	Series	Weight Kg	Product name	Series	Weight Kg
Cartridge	20V, 20VQ, SQP1	3.0	Single pump	20V, 20VQ	13.0	Single pump	SQP1	16.7
	25V, 25VQ, SQP2	4.0		25V, 25VQ	15.0		SQP2	28.0
	35V, 35VQ, SQP3	7.0		35V, 35VQ	24.0		SQP3	38.0
	45V, 45VQ, SQP4	11.0		45V, 45VQ	37.0		SQP4	65.0
	T6C, T6CC	4.1		T6C	15.7		PV2R1	9.0
	T6D	8.3		T6D	24.0		PV2R2	17.0
	T6E	12.8		T6E	43.0		PV2R3	33.0

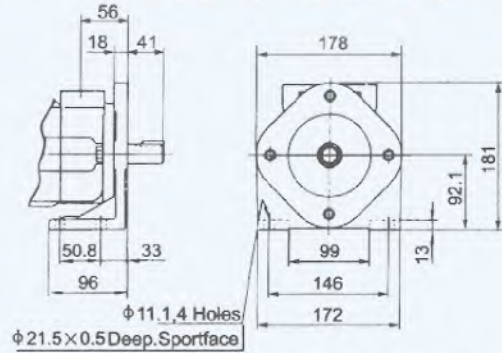
Product name	Series	Weight Kg	Product name	Series	Weight Kg	Product name	Series	Weight Kg
Double pumps	2520V, 2520VQ	23.0	Double pumps	SQP21	34.0	Double pumps	T6CC	26.0
	3520V, 3520VQ	33.0		SQP31	48.0		T6DC	36.6
	3525V, 3525VQ	35.0		SQP32	50.0		T6EC	55.0
	4520V, 4520VQ	46.0		SQP41	80.0		T6ED	66.0
	4525V, 4525VQ	48.0		SQP42	85.0		PV2R21	23.0
	4535V, 4535VQ	58.0		SQP43	95.0		PV2R31	41.0
				PV2R32	45.0			

2520VQ Flange Mounting

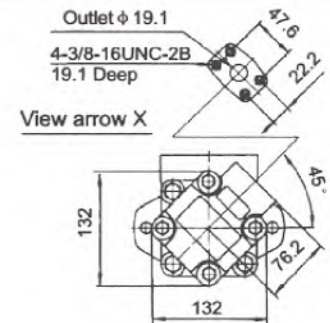
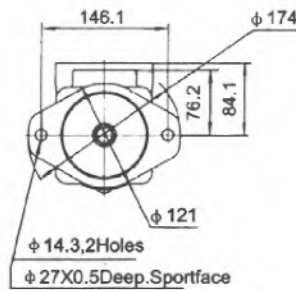


For other shaft dimensions, refer to page 72

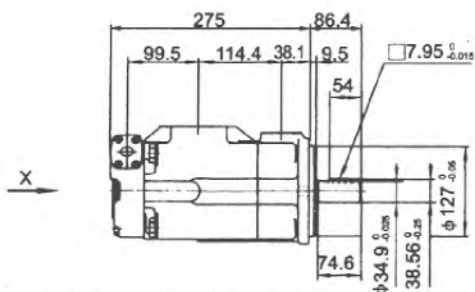
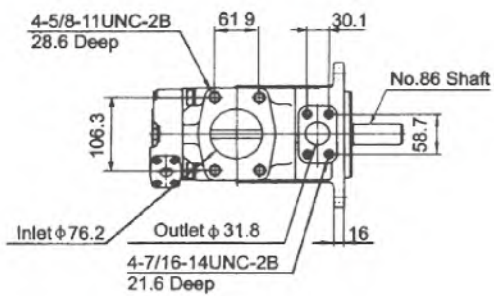
2520VQ Foot Mounting



For other dimensions, refer to "Flange Mounting" type.

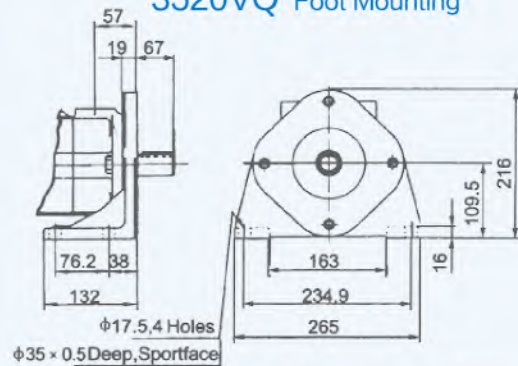


3520VQ Flange Mounting

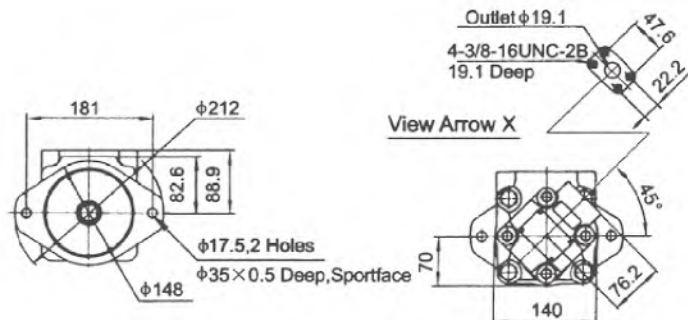


For other shaft dimensions, refer to page 72

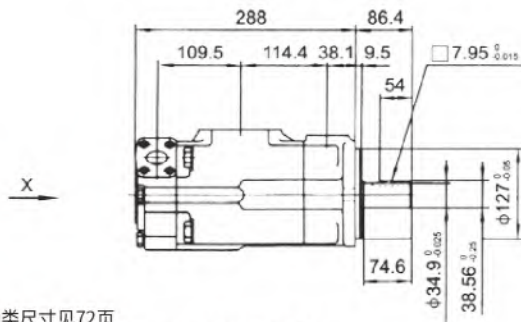
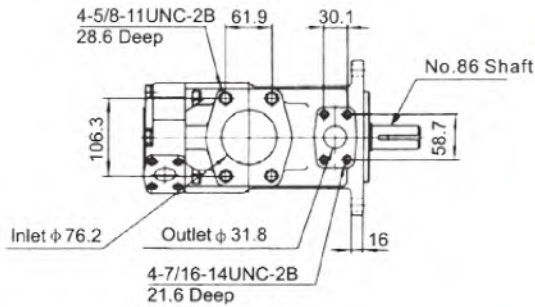
3520VQ Foot Mounting



For other dimensions, refer to "Flange Mounting" type.

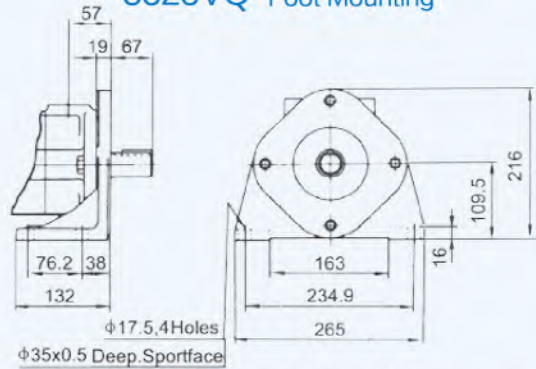


3525VQ Flange Mounting

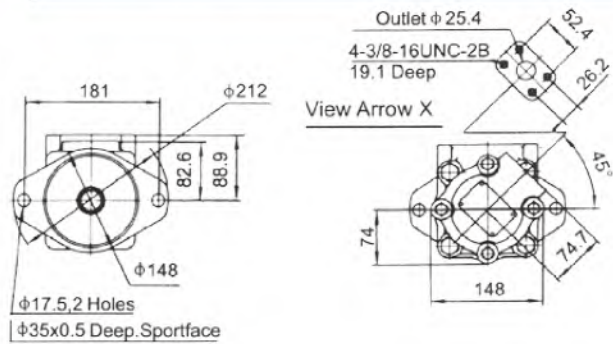


其他轴类尺寸见72页
For other shaft dimensions, refer to page 72

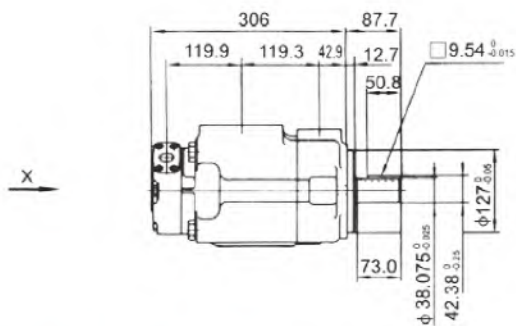
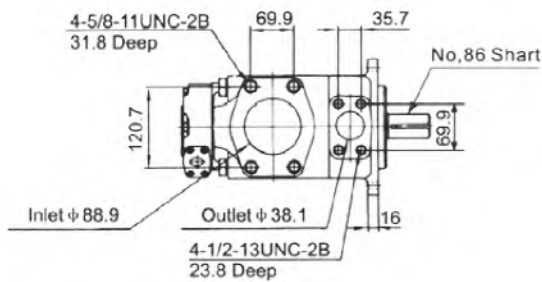
3525VQ Foot Mounting



For other dimensions, refer to "Flange Mounting" type.

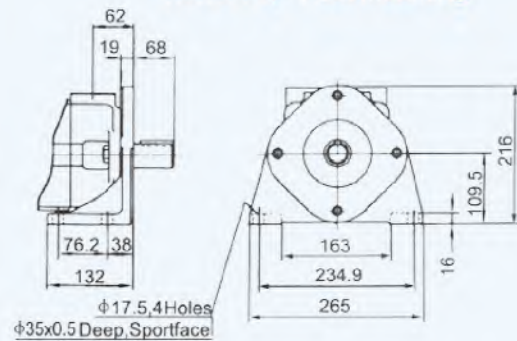


4520VQ Flange Mounting

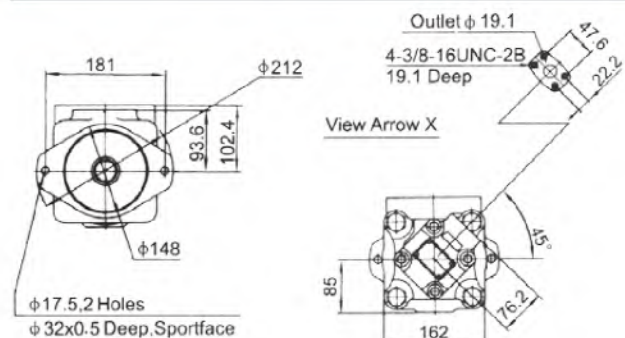


For other shaft dimensions, refer to page 72

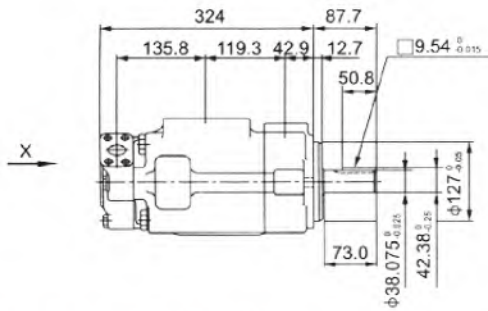
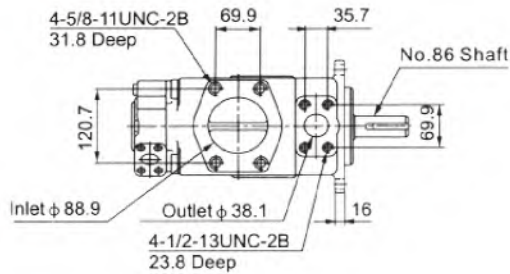
4520VQ Foot Mounting



For other dimensions, refer to "Flange Mounting" type.

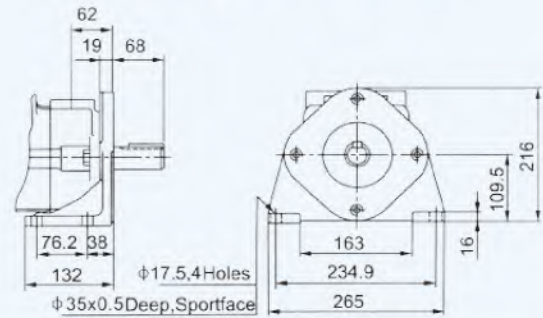


4525VQ Flange Mounting

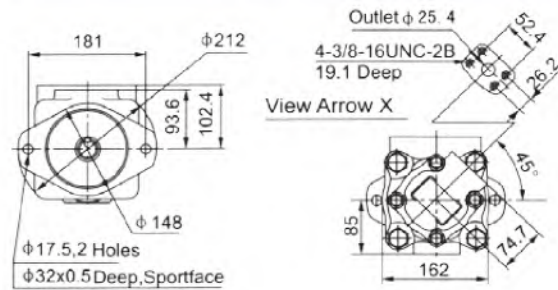


For other shaft dimensions, refer to page 72

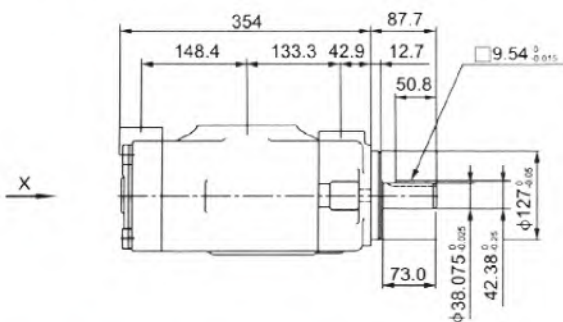
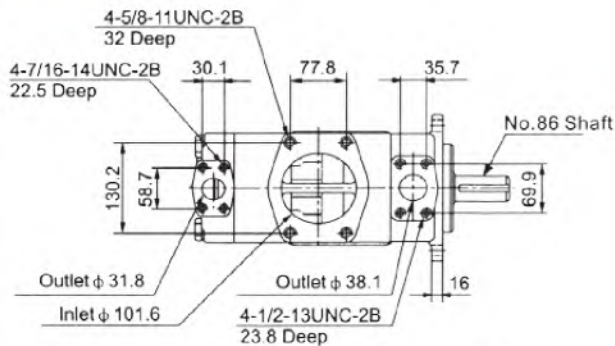
4525VQ Foot Mounting



For other dimensions, refer to "Flange Mounting" type.

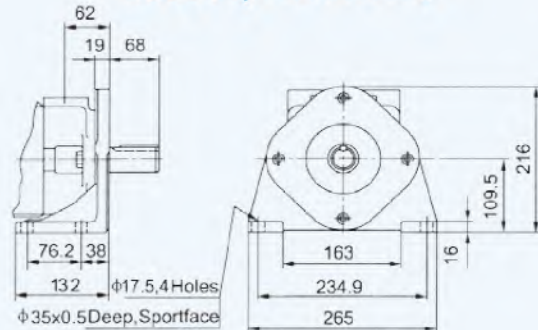


4535VQ Flange Mounting

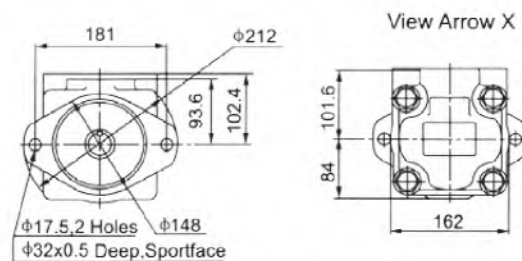


For other shaft dimensions, refer to page 72

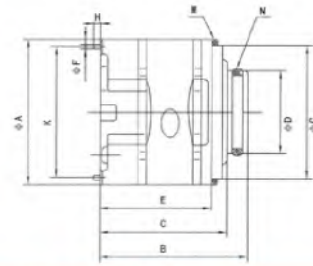
4535VQ Foot Mounting



For other dimensions, refer to "Flange Mounting" type.



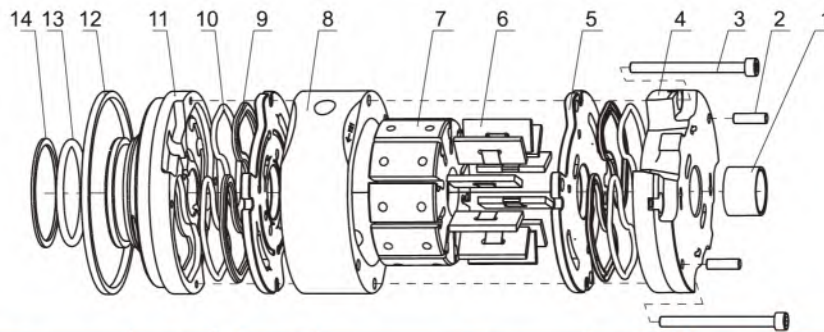
VQ Series-cartridge



Model Designation

(F3-)	PC-	25VQ	19	R	10
Note	Cartridge mark	Series	Displacement	Rotation	Design number
No-marking: Petroleum series oil emulsification fluid water glycol-fluid phosphate ester fluid	PC- Cartridge kit of single pump double pump shaft end PCT- Cartridge kit of double pump cover end	20VQ	2, 3, 4, 5, 6, 7, 8, 9, 10, 11, 12, 14	(Viewed from shaft end of pump) R- right hand for clockwise L- left hand for counter-clockwise	10
		25VQ	10, 12, 14, 15, 17, 19, 21, 25		
		35VQ	21, 25, 30, 32, 35, 38, 45		
		45VQ	42, 45, 50, 57, 60, 66, 75		

▲ USgpm Flow(USgpm) at 1200r/min and 0.69MPa.
 The data of relevant series, model are unanimous. Please see VQ series-single pumps data.



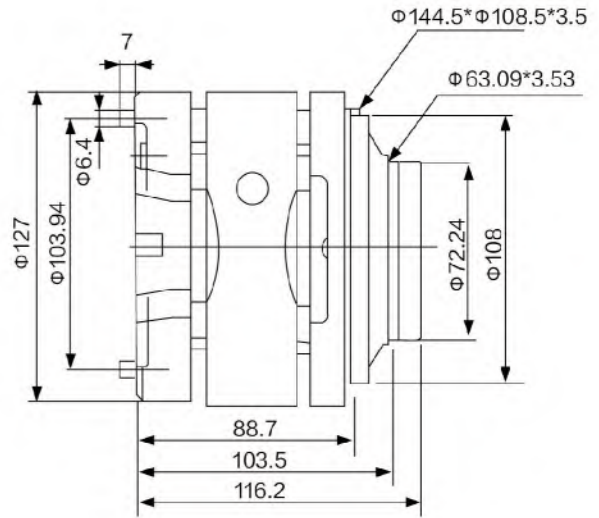
NO.	Part	Qty	NO.	Part	Qty	NO.	Part	Qty
1	Sliding bearing	1	6	vane kit	10	11	outlet support plate	1
2	Pin	2	7	Rotor	1	12	Retainer	1
3	Hexagon socket head cap screws	2	8	cam ring	1	13	O shape retainer	1
4	inlet support plate	1	9	irregular shape retainer	4	14	Retainer	1
5	valve plate	2	10	O shape retainer	4			

Specifications

Series	ΦA	B	C	ΦD	E	ΦF	ΦG	H	K	M (Gasket)	N (O-Ring)
20VQ	82.55	81.5	70.1	47.2	61.5	4.8	76.2	7	73.8	82.76×76.26×3.5	40×3.55
25VQ	96.8	98.8	87	52.2	71.2	4.8	90.5	7	88.19	97×91×3.5	44×3.53
35VQ	114.3	117.7	105	72.2	90.3	6.4	108	7	103.94	114.5×108.5×3.5	63.09×3.53
45VQ	133.35	141.1	129.6	80.2	105.5	6.4	127	11	123.8	133.6×127.6×3.5	71×3.55

Inside spline tooth outline parameter of rotor					
Series	Number of teeth	Pitch	Pressure angle	Major diameter	Minor diameter
20VQ	30	48/96	45°	16.617	15.56
25VQ	40	48/96	45°	21.9	20.86
35VQ	37	40/80	45°	24.38	23.10
45VQ	14	12/24	30°	32.59	27.6

28VQH series cartridge kits



Model Designation

F3	-28VQ	-22	-10	-R
	Series	Flow code	Design number	Rotation (Viewed from cover end of pump)
F3: Fluoro rubber seals	28VQH	19	22	R-Right hand for clockwise
No standar seals		22		L-Left hand for clockwise

Technical Data

Series	Flow code	Geometric displacement ml/r	Max.pressure (Mpa)	Max.pressure (Mpa)	Max.speed (rpm)
28VQH	19	60	24	26.5	2500
	22	70	24	26.5	2500

Inside spline tooth outline parameter of rotor

Number of teeth	Pitch	Pressure angle	Major angle	Minor angle
40	48/96	45°	21.9	20.86

30VQ series vane pumps

Model Designation

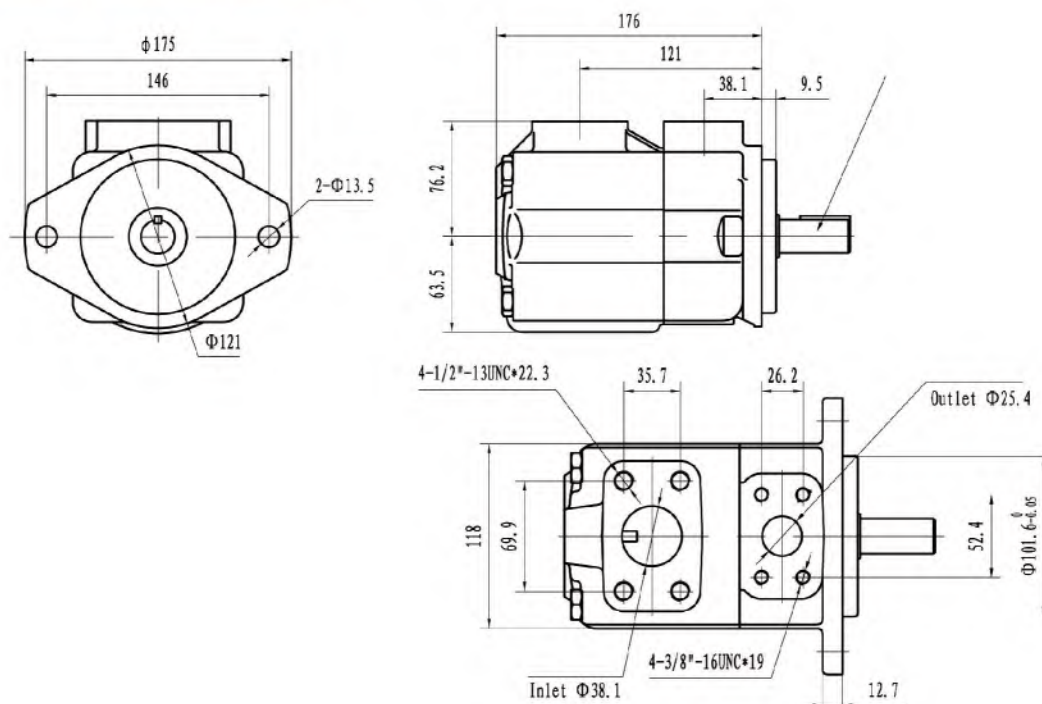
F3	-30VQ	-28	-A	-1	-A	-22	-R
	Series	Flow code	Port connections	Shaft type	Outlet positions	Design number	Rotation (Viewed from cover end of pump)
F3: Fluoro rubber seals Omit if not required	30VQ	24 28	A-SAE 4-bolt flange	Str key-1 HD str key-86 Spline-11	Viewed from cover end of the pump A-Opposite inlet port B-90° CCW from inlet C-Inline with inlet D-90° CW from inlet	22	R-Right hand for clockwise,omit L-Left hand for counterclockwise

Flow(USgpm) at 1200rpm and 6.9bar

Technical Data

Series	Flow code	Geometric displacement ml/r	Max.pressure (Mpa)	Max.speed (rpm)	Min.speed (rpm)
30VQ	24	80	21	2500	600
	28	89	21	2500	

Installation Dimensions



30VQ series cartridge kits

Model Designation

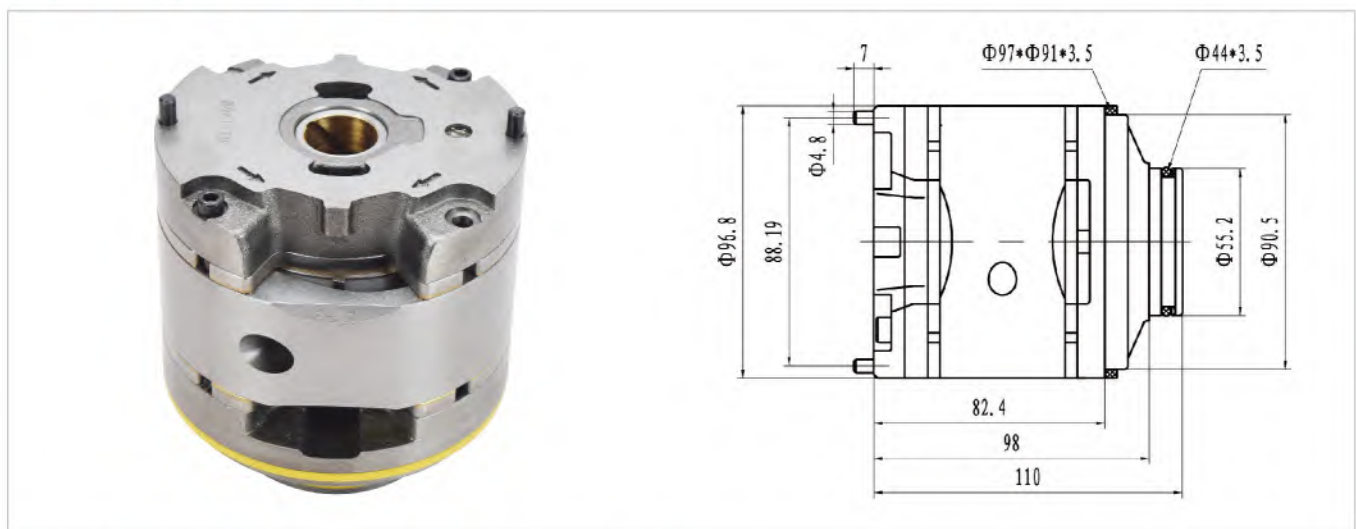
F3	-PC	-30VQ	-28	-22	-R
	Cartridge kit mark	Series	Flow code	Design number	Rotation(Viewed from cover end of pump)
F3: Fluoro rubber seals Omit if not required	PC-Cartridge kit of single pump and double pump shaft end PCT-Cartridge kit of double pump cover end	30VQ	24 28	10	R-Right hand for clockwise,omit L-Left hand for counter clockwise

Flow(USgpm) at 1200rpm and 6.9bar

Technical Data

Series	Flow code	Geometric displacement ml/r	Max.pressure (Mpa)	Max.speed (rpm)	Min.speed (rpm)
30VQ	24	80	21	2500	600
	28	89	21	2500	

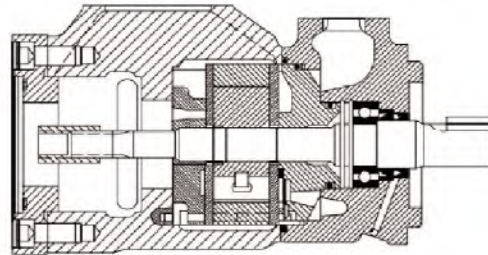
Installation Dimensions



Inside spline tooth outline parameter of rotor

Number of teeth	Pitch	Pressure angle	Major angle	Minor angle
40	48/96	45°	21.9	20.86

VQT series vane pump



Model Designation

F3	-30VQ	-A	-B	-21	-A	-2	-297
	Series	Thru-drive connection	Mounting flange	Flow code	Port connections	Thru-drive coupling	Shaft type
F3: Fluoro rubber seals	25VQT	A	B 101-2	12, 14, 17, 21	A-SAE 4 -bolt fiange	2-SAE splined coupling included with pump	202-Straighnt key 203-Straight key 297-Splined
	35VQT	B BP	C 127-2	25, 30, 35, 38			
No:standar seals	45VQT	C	C 127-2	42, 50, 60			

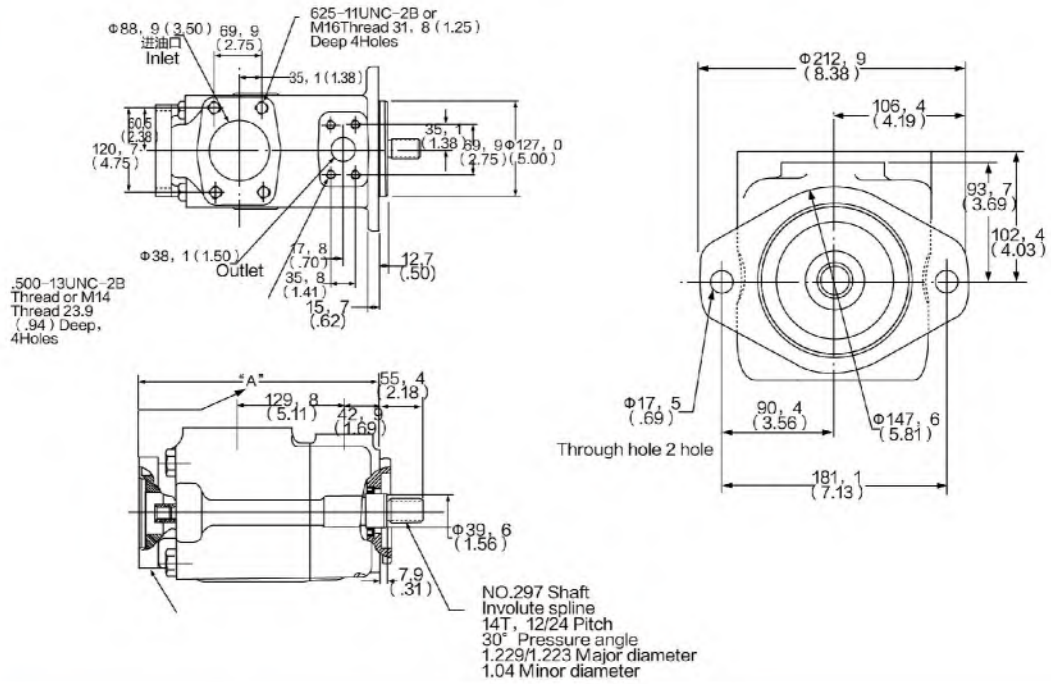
-A	-A	-20	-R
Outlet position	Adapter mounting orientation	Design number	Rotation
(Viewed from cover end of pump)	A-A adapter Rotated 45° CW with respect to pump mtg.flg.	21-29	L-Left hand (counter-clockwise) R-Right hand (clockwise)
A-Opposite inlet port	A-B adapter In line with pump mtg.flg.		
B-90° CCW from inlet	B-A adapter Rotated 45° CCW with respect to pump mtg.flg.		
C-Inlet with inlet	B-B adapter Rotated 90° with respect to pump mtg.flg.		
D-90° CW from inlet			

Technical Data

Series	Flow code USgpm @1200r/min 7 bar(100psi)	Geometric displacement ml/r	Max.speed r/min	Max.pressure bar(psi)	Flow	Input kw(hp)		Approximate weight kg(lb.)
					L/min(USgpm)	Max.speed and Max.pressure	Max.speed and Max.pressure	
25VQT*S	12	40.2(2.45)	2700	210(3000)	88.5 (23)	41.0(55)		19.5(43)
	14	45.4(2.77)	2700	210(3000)	103.8 (27)	46.6(62.5)		
	17	55.2(3.37)	2500	210(3000)	119.2 (31)	51.8(69.5)		
	21	67.5(4.12)	2500	210(3000)	146.2 (38)	61.9(83)		
35VQT*S	25	81.6(4.98)	2500	210(3000)	173.1 (45)	75.3(101)		28.6(63)
	30	97.7(5.96)	2500	210(3000)	211.5 (55)	87.8(117.5)		
	35	112.8(6.88)	2400	210(3000)	230.8 (60)	98.5(132)		
	38	121.6(7.42)	2400	210(3000)	250.0 (65)	104.4(140)		
45VQT*S	42	138.7(8.46)	2200	175(2500)	255.8 (66.5)	91.4(122.5)		38.2(84)
	50	162.3(9.90)	2200	175(2500)	303.8 (79)	105.2(141)		
	60	193.4(11.80)	2200	175(2500)	369.2 (96)	126.8(170)		

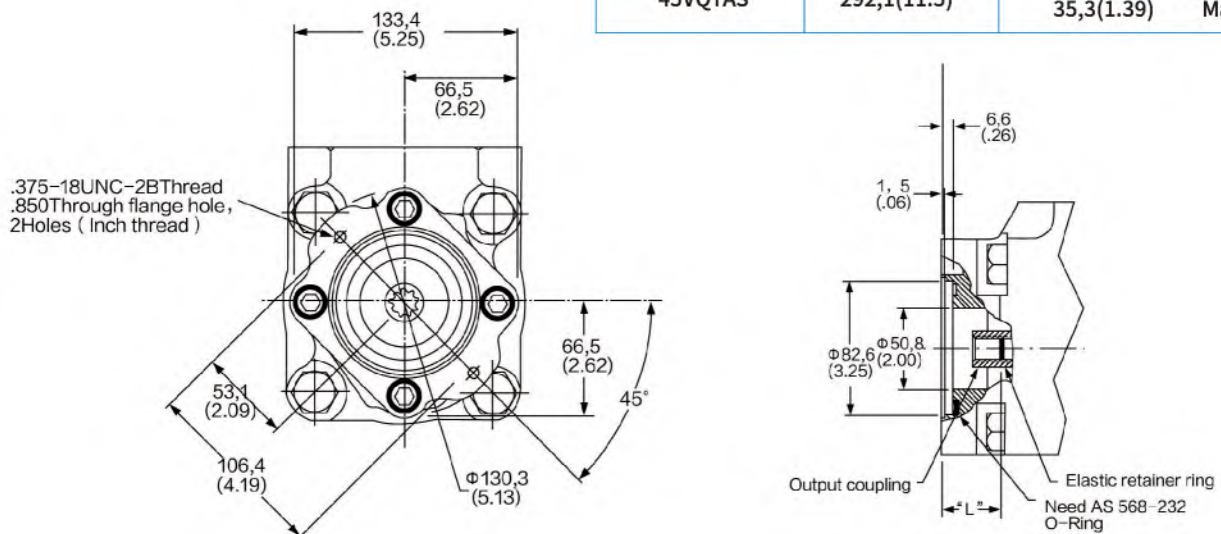
Installation Dimensions

45VQT



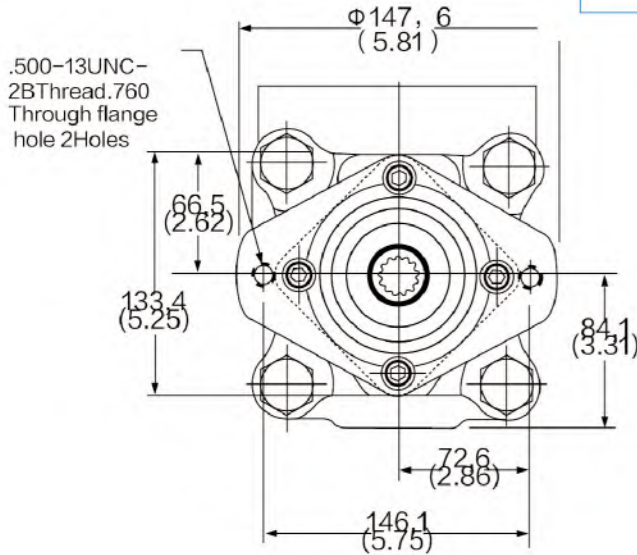
Installation Dimensions

Pump series	Inch "A"	Inch "L"
25VQTAS	236,2(9.3)	32,5/31,0(1.28/1.22) 33,0(1.30) Max
35VQTAS	259,1(10.2)	32,5/31,0(1.28/1.22) 35,6(1.40) Max
45VQTAS	292,1(11.5)	32,5/31,0(1.28/1.22) 35,3(1.39) Max

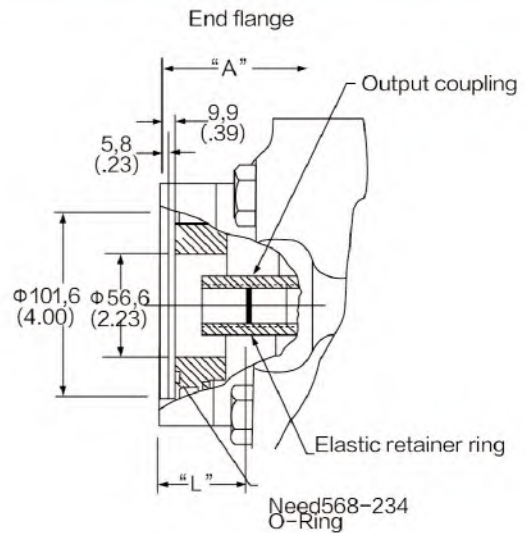


Installation Dimensions

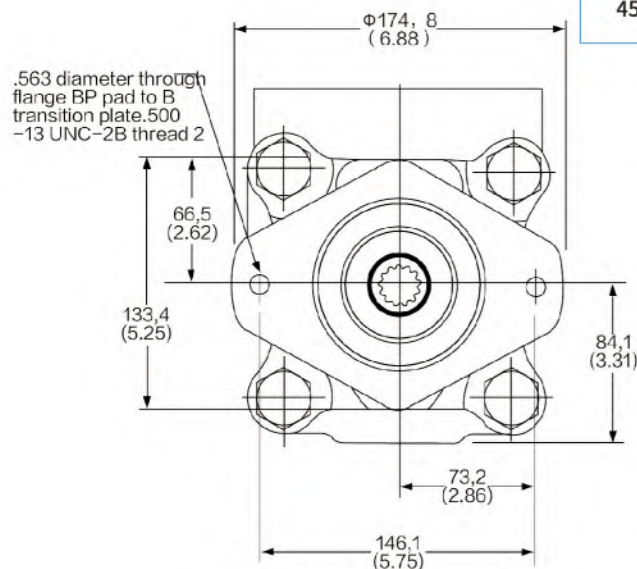
“B” Install later



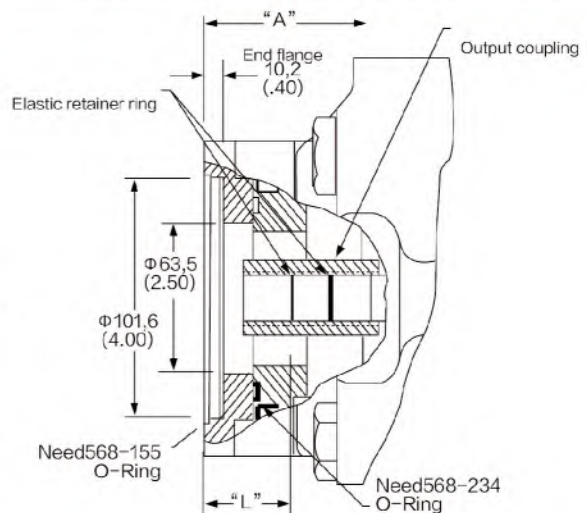
Pump series	Inch “A”	Inch “L”
25VQTBS	246,2(9.7)	42,4/39,9(1.67/1.57) 45,2(1.78) Max
35VQTBS	269,2(10.6)	42,4/39,9(1.67/1.57) 46,7(1.84) Max
45VQTBS	299,7(11.8)	42,4/39,9(1.67/1.57) 46,2(1.82) Max



“BP” Install later



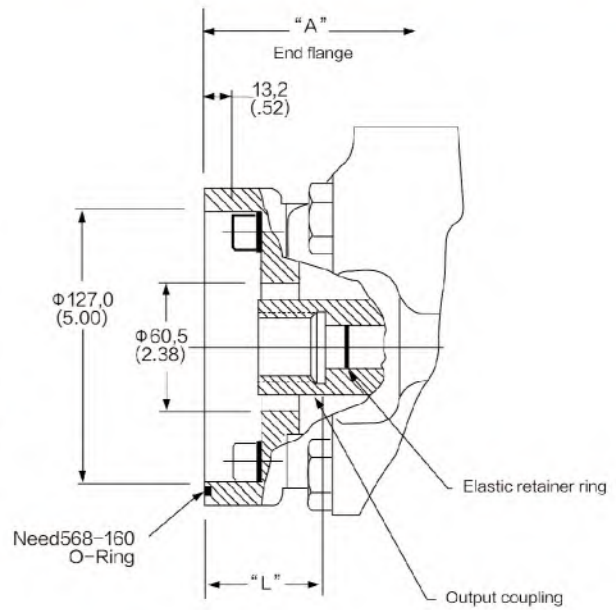
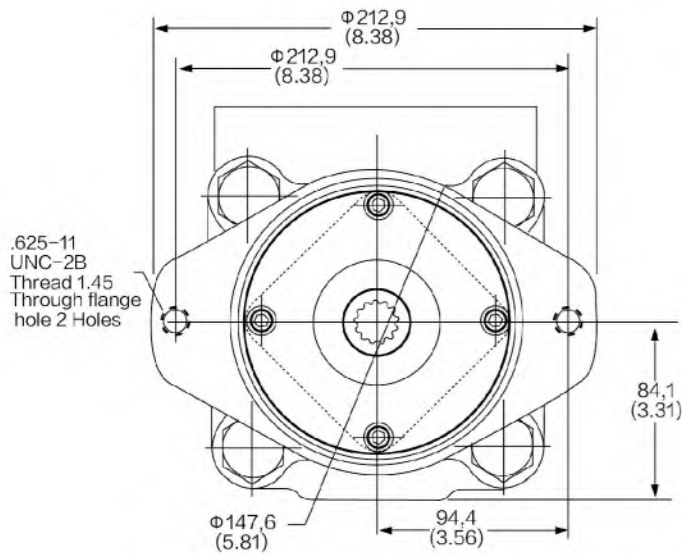
Pump series	Inch “A”	Inch “L”
25VQTBPS	261,9(10.31)	45,7/43,2(1.80/1.70)NonSAEstandard
35VQTBPS	284,5(11.20)	45,7/43,2(1.80/1.70)NonSAEstandard
45VQTBPS	317,0(12.48)	45,7/43,2(1.80/1.70)NonSAEstandard



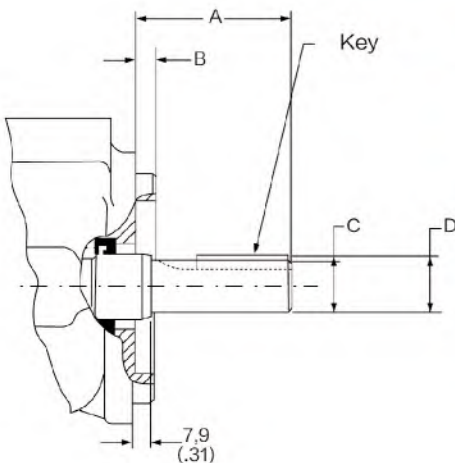
Installation Dimensions

“C” Install later

Pump series	Inch “A”	Inch “L”
35VQTCS	276,2(10.9)	56,6/54,1(2.23/2.13) 61,2 Max
45VQTCS	307,3(12.1)	56,6/54,1(2.23/2.13) 61,5(2.42) Max



Shaft Extension



Series	A	B	ΦC	D	Key
25VQT*S	77,7 (3.06)	9,53 (.375)	25,40 (1.000) 25,35 (.998)	28,19 (1.110) 27,94 (1.100)	6,35 (.250) ×50,8 (2.00)
35VQT*S	84,1 (3.31)	12,7 (.500)	34,90 (1.374) 34,87 (1.373)	38,56 (1.518) 38,30 (1.508)	7,94 (.313) ×54,0 (2.13)
45VQT*S	90,4 (3.56)	12,7 (.500)	38,07 (1.499) 38,05 (1.498)	42,37 (1.668) 42,11 (1.658)	9,53 (.375) ×57,2 (2.25)

4525VQSV10 4525VQSV10 series vane pump



Model Designation

F3	-4525VQ	-S	-V10	-F	-17	-A	-8	-T
	Series	Flange Mounting	Single pump Series	Cover options for V10 pump	Shaft-end pump displacement code	Double pump port connections	SAE rated flow center pump	Outlet port connection
F3: Fluoro rubber seals	2520VQ	S-SAE	V10	S-Standard cover F-Integral flow control & relief valve P-Integral priority valve & relief	10, 12, 14, 15 17, 19, 21, 25	A-All SAE 4-bolt flange AM-Metric 4-bolt flange	2, 3, 4, 5, 6, 7, 8, 9, 10, 11, 12, 14	Standard cover
	3520VQ				21, 25, 30, 32 35, 38, 45		10, 12, 14, 15, 17, 19, 21, 25	
3525VQ	42, 45, 50, 57 60, 66, 45						21, 25, 30, 32, 35, 38, 45	T
4525VQ								K
4535VQ								

-3	-S	-297	-B-C-A	-3	-D	-20	-R
SAE rated flow, cover end pump	Shaft seal	Shaft code	Outlet port position	Controlled flow rate	Relief valve setting	Design	Shaft rotation
1, 2, 3, 4 5, 6, 7	S- Double seal Blank- Single seal	297- Splined shaft	Refer to table 1	Controlled flow rate, V10F & V10P Omit for standard cover 3-11L/min 6-23L/min 4-15L/min 7-27L/min 5-19L/min 8-30L/min	Controlled flow rate, V10F & V10P Omit for standard cover A-17bar F-100bar B-35bar G-121bar C-52bar H-140bar D-70bar J-155bar E-86bar K-175bar	20-29	(Viewed from cover end of pump) L-Left hand (counter-clockwise) R-Right hand (clockwise)

Outlet position code

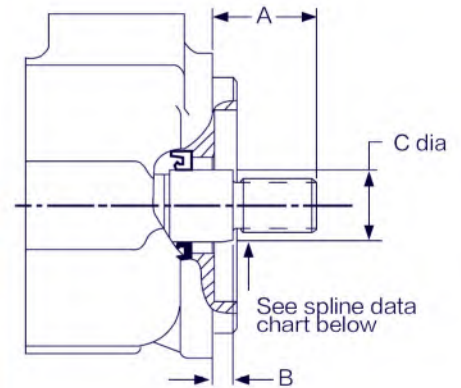
Position viewed from cover end	B		C		A	
	No.1	Outlet	No.2	Outlet	No.3	Outlet
Opposite inlet	A		A(Only4535VQ)		A	
135° CCW from inlet	-		A		-	
90° CCW from inlet	B		B(Only4535VQ)		B	
45° CCW from inlet	-		B		-	
Inlet with inlet	C		C(Only4535VQ)		C	
45° CW from inlet	-		C		-	
90° CW from inlet	D		D(Only4535VQ)		D	
135° CW from inlet	-		D		-	

Shaft

尺寸:mm(in)

Dimensions-No.297 shaft
Dimensions in millimeters(inches)

Model	A	B	C
2520VQSV10	41,1(1.62)	7,9(.31)	27,7(1.09)
352*VQSV10	55,4(2.18)	7,9(.31)	35,1(1.38)
45**VQSV10	55,4(2.18)	7,9(.31)	40,4(1.59)



尺寸-mm(in) Dimensions in millimeters(inches)

Model	No. of teeth	Pitch	Major dia	Form dia	Minor dia	Fit
2520 VQSV10	13	16/32	21,8(.858) 21,6(.852)	19,0 (.749)	18,16 (.715)	Side fit
352* VQSV10	14	12/24	31,2(1.229) 31,1(1.223)	27,4 (1.08)	26,4 (1.040)	
45* VQSV10	14	12/24	31,2(1.229) 31,1(1.223)	27,4 (1.08)	26,4 (1.040)	

Shaft torque ratings-No.297 shaft

Pump series	Drive shaft	Max torque capability Nm(lb-in)
	Designation	
2520 VQSV10	"B"press SAEJ744C.22-4 by SAEJ744 Oct83	344(3040)
352* VQSV10	"C"press SAEJ744C.32-4 by SAEJ744 Oct83	791(7000)
45* VQSV10	"C"press SAEJ744C.32-4 by SAEJ744 Oct83	1017(9000)

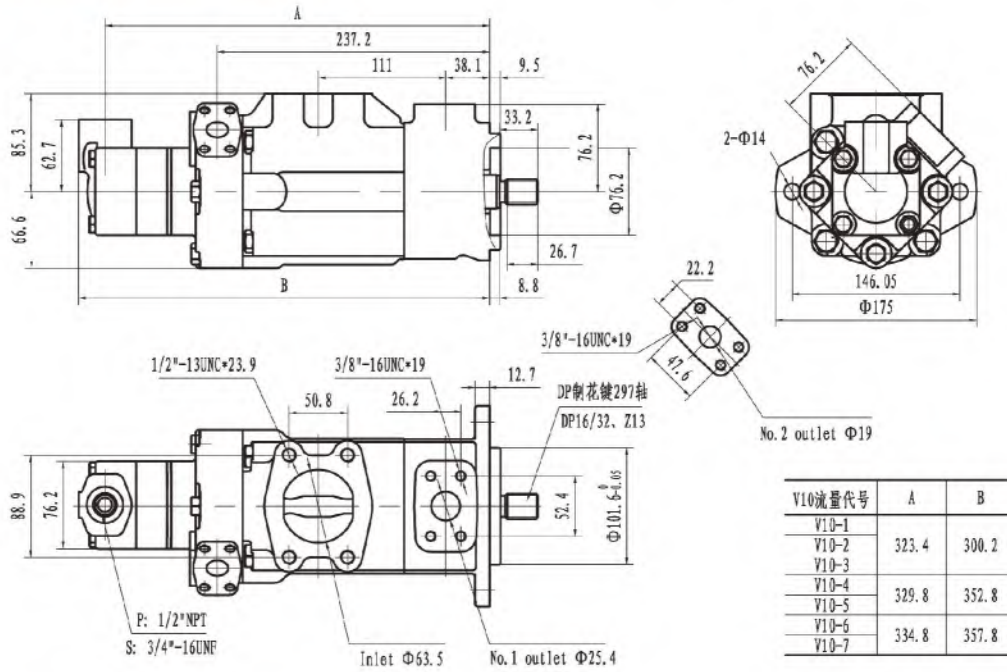
Technical Data

Series	Flow code USgpm @1200r/min 7 bar(100psi)	Geometric displacement ml/r	Max.continuous pressure (Mpa)	Max.pressure bar(psi)	Max.speed r/min
20VQ	2	7(0.43)	21	2700	600
	3	10(0.61)			
	4	13(0.79)			
	5	16.5(1.01)			
	6	19(1.16)			
	7	22(1.40)			
	8	27(1.67)			
	9	30(1.85)			
	10	31.5(1.92)			
	11	35(2.14)			
	12	40(2.44)			
		14	45(2.78)	16	
			14		
25VQ	10	32(1.95)	21	2700	600
	12	38(2.32)			
	14	43.5(2.65)			
	15	47(2.89)			
	17	54(3.30)			
	19	60(3.66)			
	21	67(4.13)			
	25	79.2(4.83)			
			2500		
35VQ	21	67(4.13)	21	2500	600
	25	81(4.94)			
	30	95(5.80)			
	32	101(6.16)			
	35	109(6.65)			
	38	119(7.26)			
	45	143(8.72)			
			14		
45VQ	42	134(8.17)	17.5	2400	600
	45	143(8.72)			
	50	159(9.70)			
	57	181(11.05)			
	60	189(11.53)			
	66	210(12.81)			
	75	237(14.46)			
			14		
V10	1	3.3	17.2	4800	600
	2	6.6	17.2	4500	
	3	9.8	17.2	4000	
	4	13	17.2	3400	
	5	16.5	17.2	3200	
	6	19.5	15.2	3000	
	7	23	13.8	2800	

Rated Flow(USgpm) at 1200rpm and and 0.7Mpa

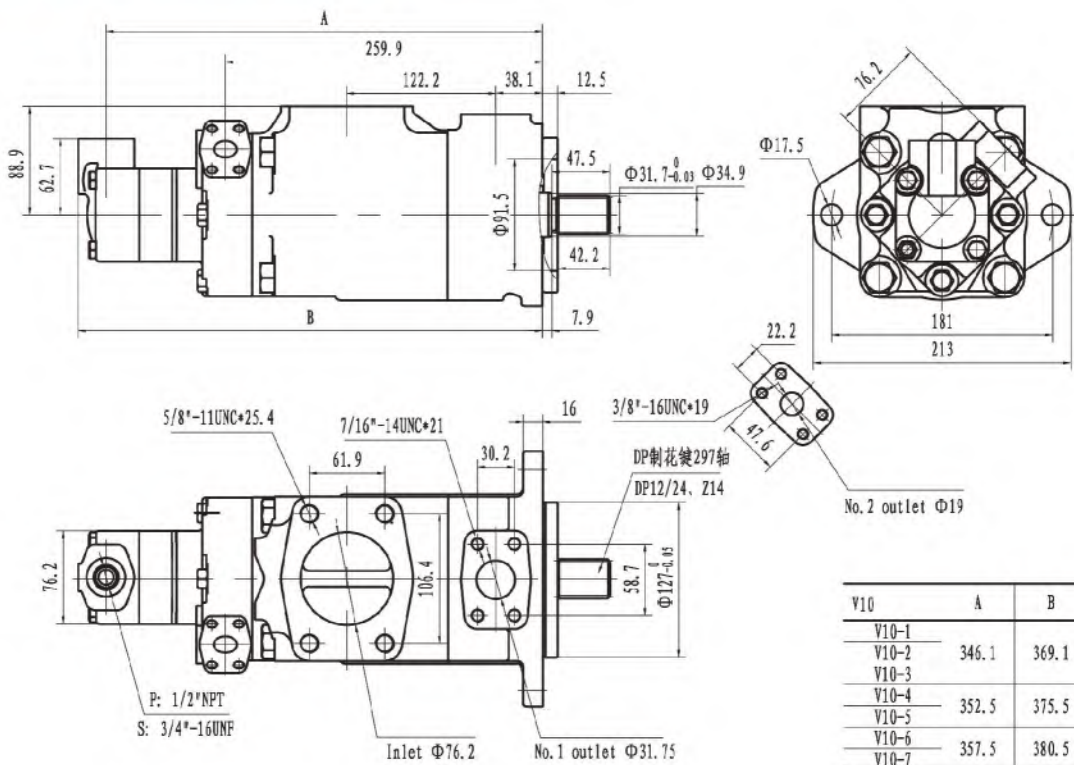
2520VQSV10 2520VQSV10 series vane pump

Installation Dimensions



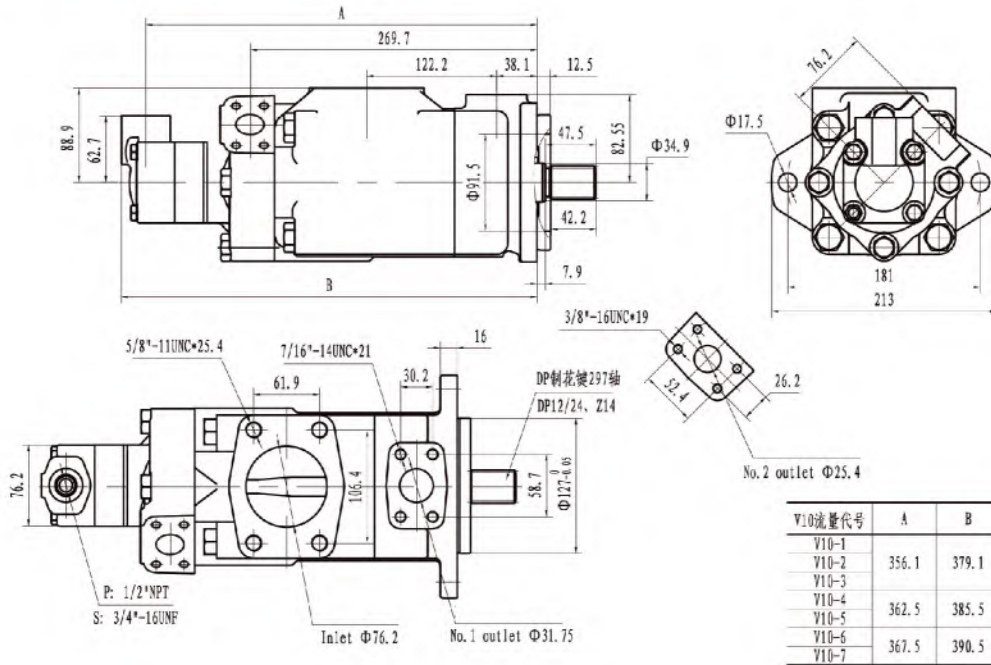
3520VQSV10 3520VQSV10 series vane pump

Installation Dimensions



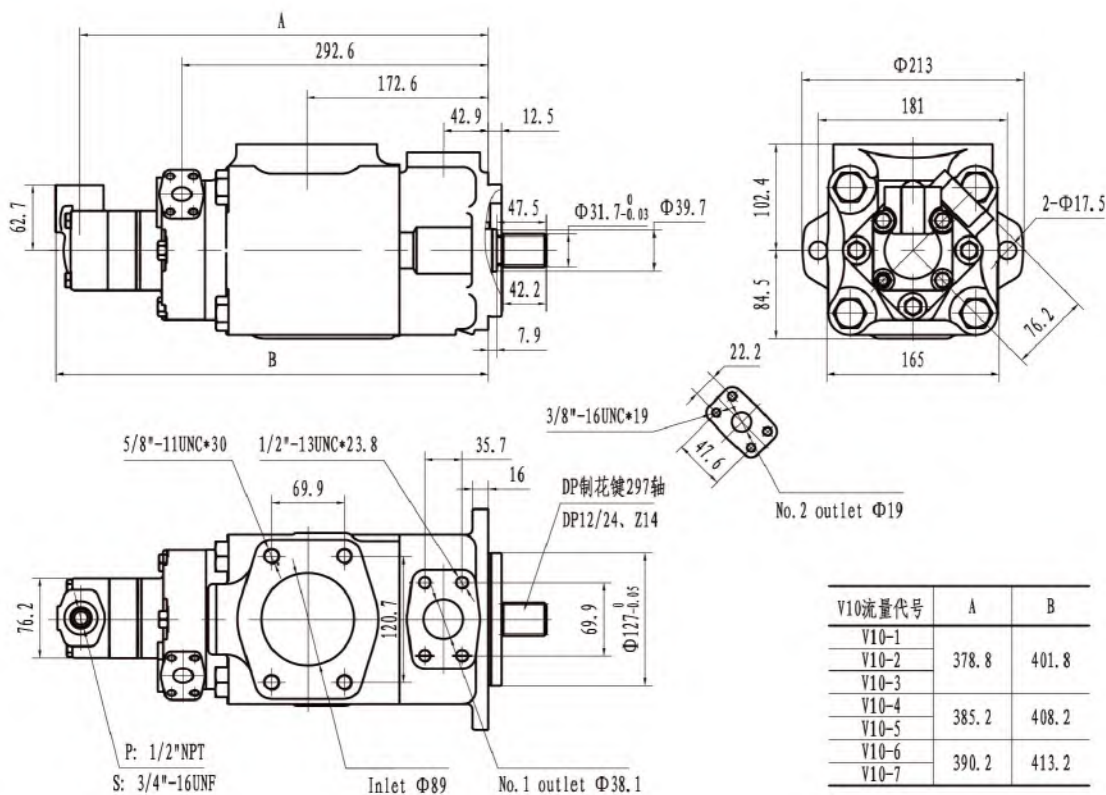
3525VQSV10 series vane pump

Installation Dimensions

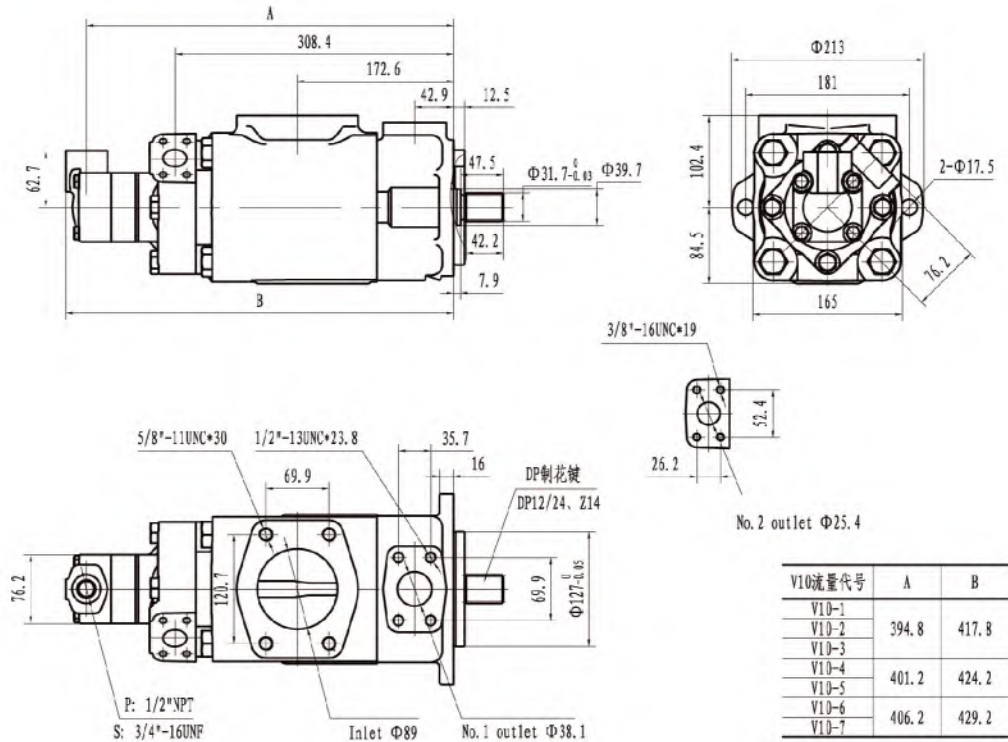


4520VQSV10 series vane pump

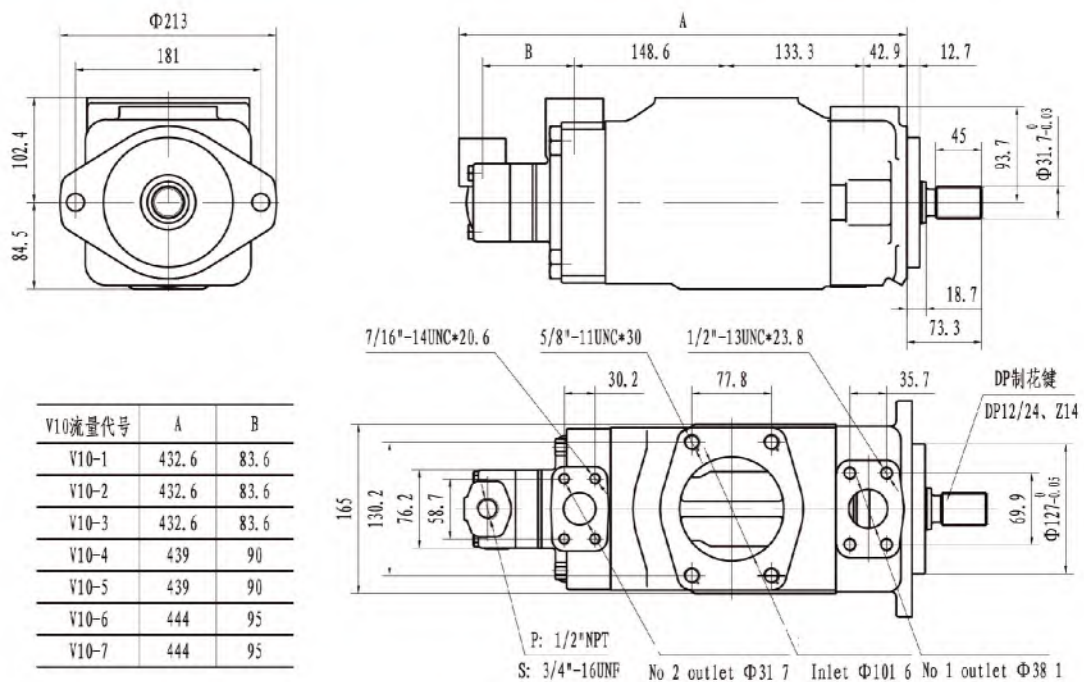
Installation Dimensions



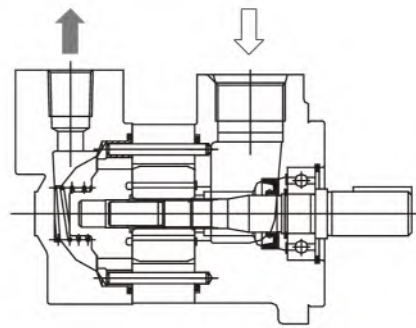
3525VQSV10 series vane pump Installation Dimensions



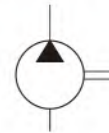
4535VQSV10 series vane pump Installation Dimensions



V10, 20 Series-vane Pumps



Hydraulic Sign



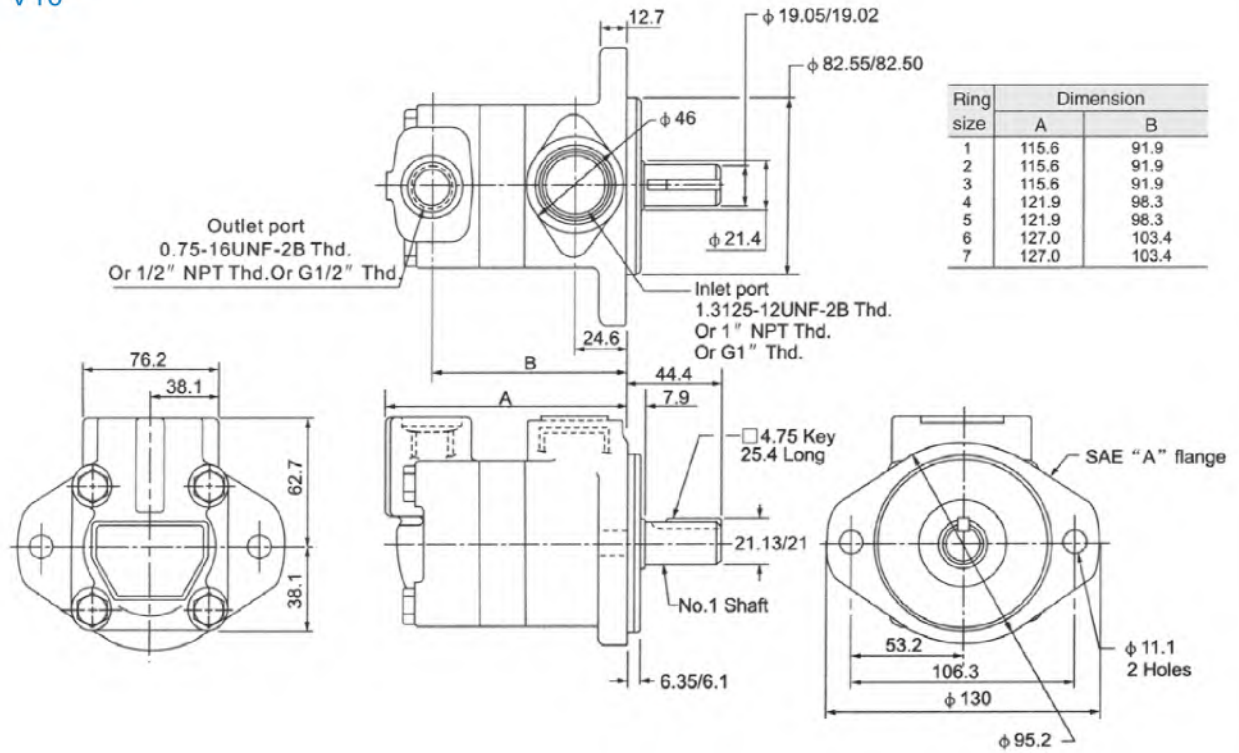
Model Designation

(F3-)	V10	-P	7	S	-1	C	20	-L
Note	Series	Inlet connection	Displacement	Outlet connection	Shaft type	Outlet positions	Design number	Rotation
Omit if not required	V10	P-1"NPT Thread S-1.3125-12 Straight B-G1" Thread	1, 2, 3, 4, 5, 6, 7	P-1/2"NPT Thread S-0.750-16 Str.Thread B-G1/2" Thread	1- Str key 11- Spline	(Viewed from cover end of pump) A- Opposite inlet	20	(Viewed from shaft end of pump) R- right hand for clockwise
F3-: Viton seals	V20	P-1-1/4"NPT Thread S-1.625-12 Straight B-G1-1/4" Thread	6, 7, 8, 9, 10, 11, 12, 13	P-3/4"NPT Thread S-1.0625-12 Straight R-1.1875-12 Straight B-G3/4"Thread	38-11teeth-3/4" outside spline shaft 62-spline shaft (only for V20)	B- 90° CCW from inlet C- Inline with inlet D- 90° CW from inlet	10	L- left hand for counter-clockwise

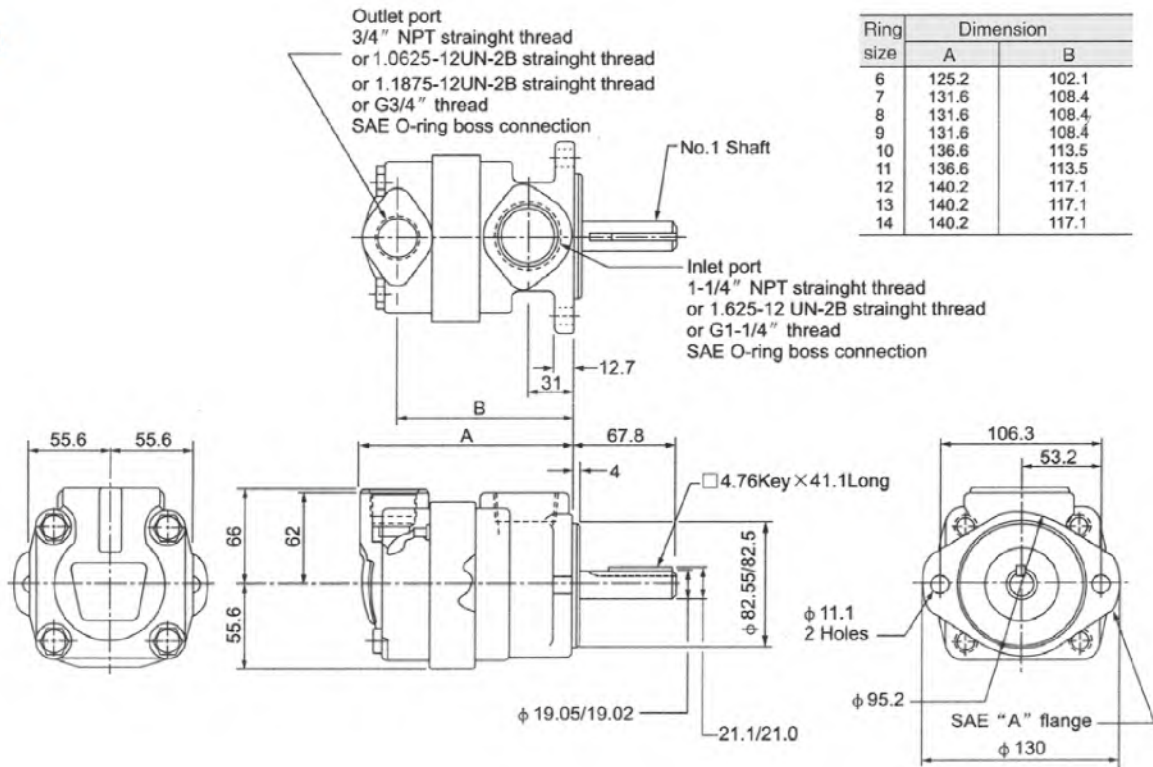
技术参数/Technical Data

series	Displacement code	Geometric displacement mL/r	With antiwear hydraulic oil or phosphate ester fluid		With water glycol fluid		With water-oil emulsions	
			Mpa Max.pressure	r/min Max.speed	Mpa Max.pressure	r/min Max.speed	Mpa Max.pressure	r/min Max.speed
V10	1	3.3	17.2	4800	12.4	1800	10.3	1800
	2	6.6		4500				
	3	9.8		4000				
	4	13.1		3400				
	5	16.4	3200	10.9				
	6	19.5	15.2				3000	
	7	22.8	13.8				2800	
V20	6	19.5	17.2	3400	12.4	1800	10.9	1800
	7	22.8		3000				
	8	26.5		2800				
	9	29.7						
	10	30.0	2500	10.9			9.3	
	11	36.4						
	12	39						
	13	42.4	15.2	2400				

V10



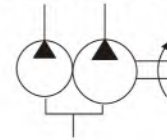
V20



V2010, 2020 Series-double Pumps



Hydraulic Sign



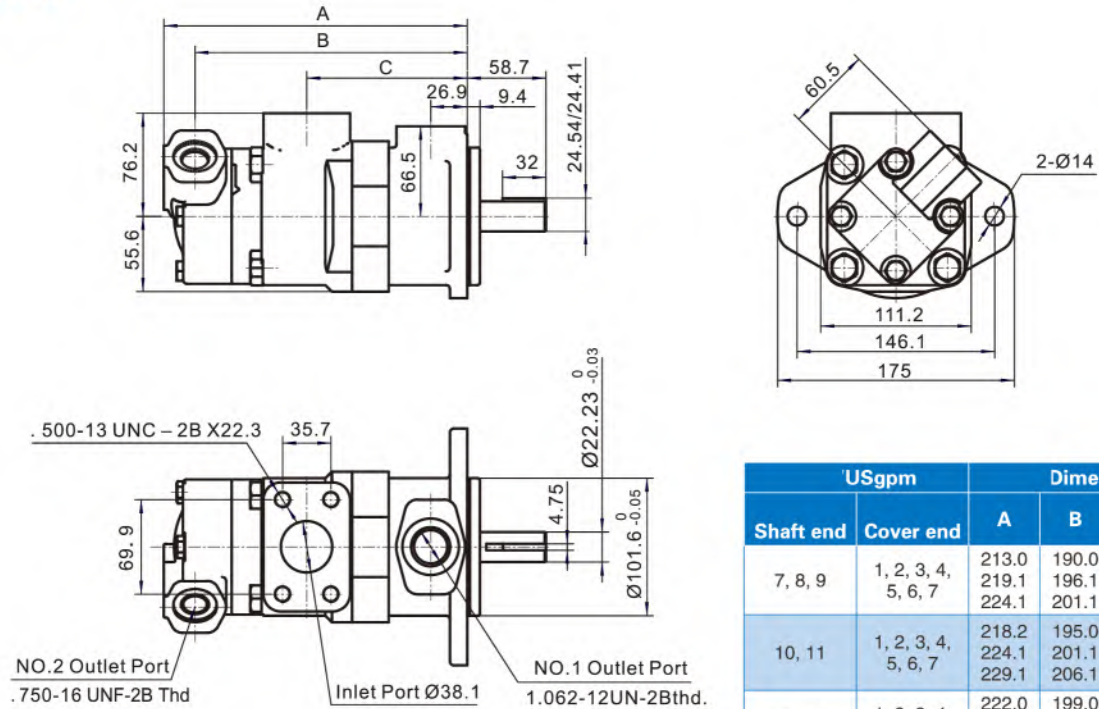
Model Designation

(F3-)	V2010	-1	F	13	S	3	S	-1	CC	-12	-R
Note	Series	Mounting	Inlet port connections	Flow-Shaft end pump	No. 1 outlet port	Flow-cover end pump	No. 2 outlet port	Shaft type	Outlet positions	Design number	Rotation
Omit if not required F3-: Viton seals	V2010	1- SAE B 2 bolt flange 4" rabbet 6- SAE C	F- 4 bolt flange	6, 7, 8, 9, 10, 11, 12, 13	S-1.062- 12UN- 2Bthd	1, 2, 3, 4, 5, 6, 7	S-.750-16 St.Thd.	-1 Str key -11 spline	see below	-12	(Viewed from shaft end of pump) -R right hand
	V2020	2 bolt flange 3.25" rabbet				6, 7, 8, 9, 10, 11, 12, 13	S-1.062- 12 St.Thd.				-L left hand for counter-clockwise

Outlet Positions (Viewed from cover end of pump)

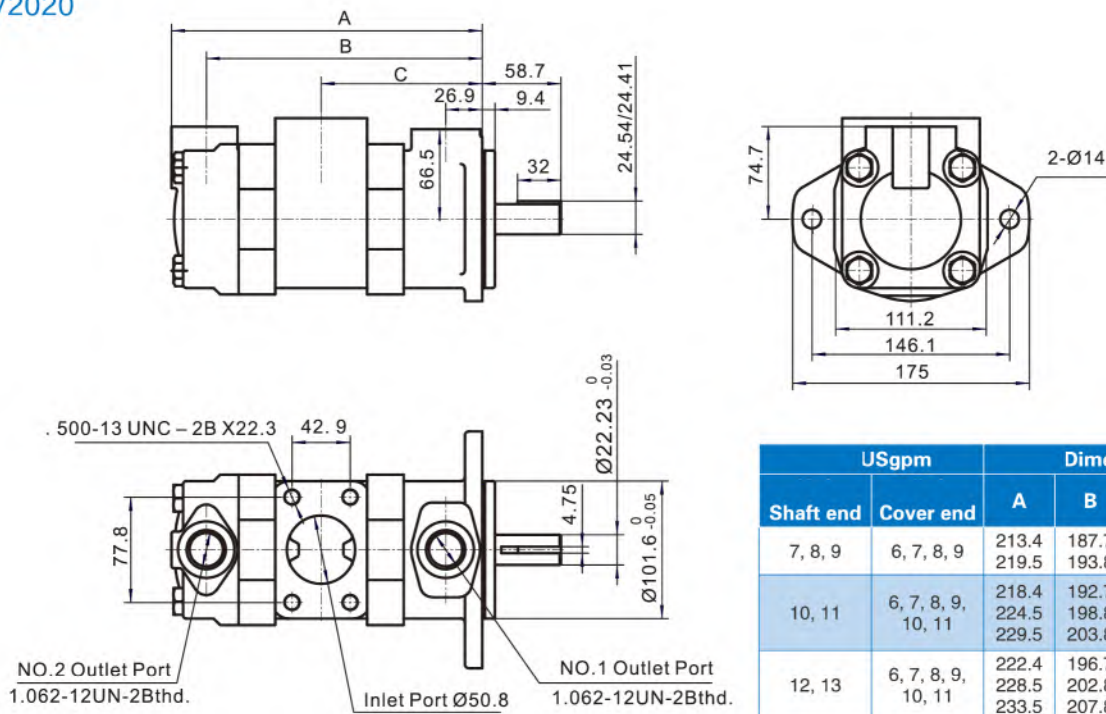
Outlet positions		V2010	V2020
No.1 outlet opposite inlet	AA	No.2 outlet 135° CCW from inlet	No.2 outlet opposite inlet
	AB	No.2 outlet 45° CCW from inlet	No.2 outlet 90° CCW from inlet
	AC	No.2 outlet 45° CW from inlet	No.2 outlet inline with inlet
	AD	No.2 outlet 135° CW from inlet	No.2 outlet 90° CW from inlet
No.1 outlet 90° CCW from inlet	BA	No.2 outlet 135° CCW from inlet	No.2 outlet opposite inlet
	BB	No.2 outlet 45° CCW from inlet	No.2 outlet 90° CCW from inlet
	BC	No.2 outlet 45° CW from inlet	No.2 outlet inline with inlet
	BD	No.2 outlet 135° CW from inlet	No.2 outlet 90° CW from inlet
No.1 outlet inline with inlet	CA	No.2 outlet 135° CCW from inlet	No.2 outlet opposite inlet
	CB	No.2 outlet 45° CCW from inlet	No.2 outlet 90° CCW from inlet
	CC	No.2 outlet 45° CW from inlet	No.2 outlet inline with inlet
	CD	No.2 outlet 135° CW from inlet	No.2 outlet 90° CW from inlet
No.1 outlet 90° CW from inlet	DA	No.2 outlet 135° CCW from inlet	No.2 outlet opposite inlet
	DB	No.2 outlet 45° CCW from inlet	No.2 outlet 90° CCW from inlet
	DC	No.2 outlet 45° CW from inlet	No.2 outlet inline with inlet
	DD	No.2 outlet 135° CW from inlet	No.2 outlet 90° CW from inlet

V2010



USgpm		Dimension		
Shaft end	Cover end	A	B	C
7, 8, 9	1, 2, 3, 4, 5, 6, 7	213.0 219.1 224.1	190.0 196.1 201.1	113.5
10, 11	1, 2, 3, 4, 5, 6, 7	218.2 224.1 229.1	195.0 201.1 206.1	118.5
12, 13	1, 2, 3, 4, 5, 6, 7	222.0 228.1 233.1	199.0 205.1 210.1	121.5

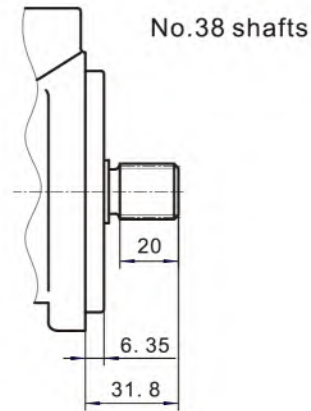
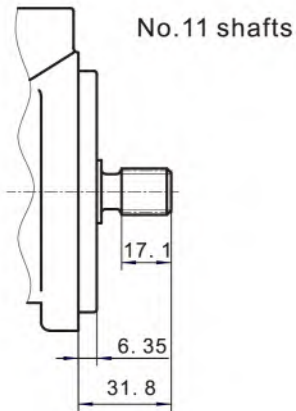
V2020



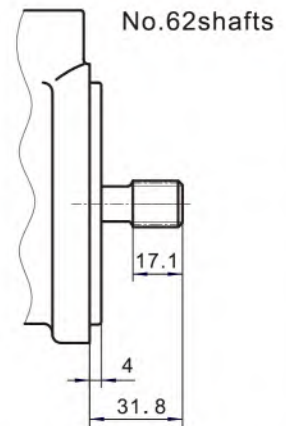
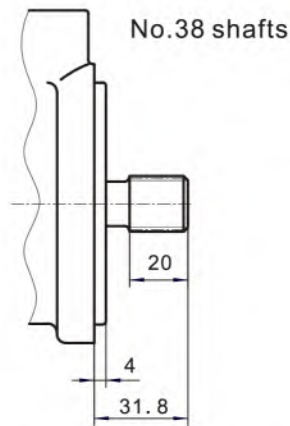
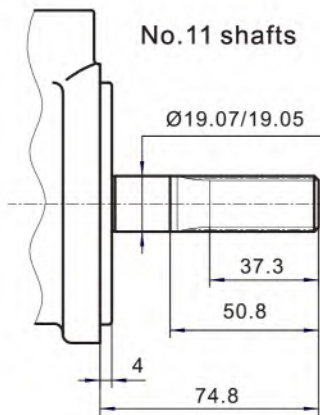
USgpm		Dimension		
Shaft end	Cover end	A	B	C
7, 8, 9	6, 7, 8, 9	213.4 219.5	187.7 193.8	114.0
10, 11	6, 7, 8, 9, 10, 11	218.4 224.5 229.5	192.7 198.8 203.8	119.0
12, 13	6, 7, 8, 9, 10, 11	222.4 228.5 233.5	196.7 202.8 207.8	122.5

Splined Shaft Type

V10

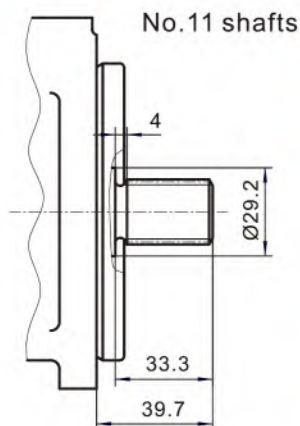


V20



V2010

V2020



Involute spline data table

Model	Shaft code	Number of teeth	Pitch	Major diameter	Pitch diameter	Minor diameter	Suitable for
V10	11	9	16/32	15.82/15.80	14.29	12.28/12.00	Tooth tip
	38	11	16/32	18.63/18.50	17.46	15.24/14.99	Side tip
V20	11	11	16/32	19.01/18.93	17.46	15.90/15.62	Side tip
	38	11	16/32	18.63/18.50	17.46	15.24/14.99	Side tip
	62	9	16/32	15.82/15.80	14.29	12.28/12.00	Tooth tip
V2010 V2020	11	13	16/32	22.17/22.15	19.03	18.63/18.35	Tooth tip

SQP Series-vane Pumps

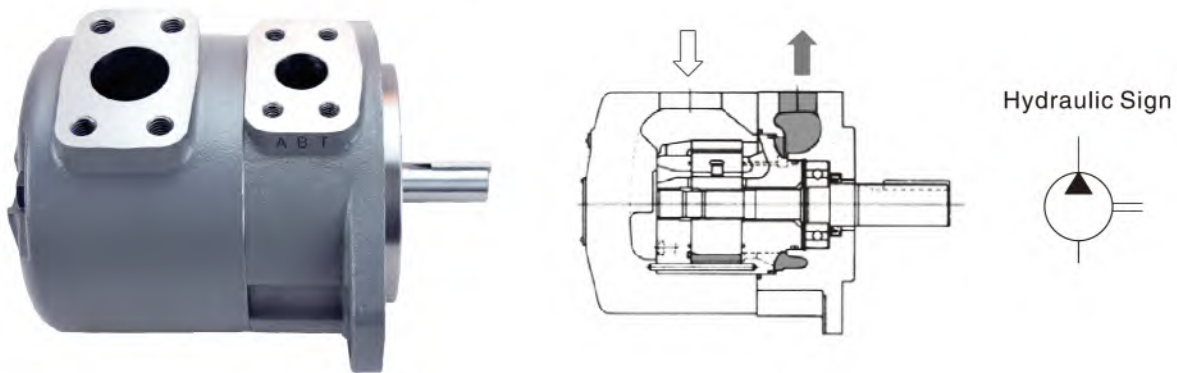
—Applicable to industrial applications of the cluster of lower noise vane pump

This series vane pumps are high pressure and high performance intra-vane pumps, which are specially developed for low noise working condition. They are widely applied in hydraulic system for machine-tools, presses, die casting machines, engineering plastic injection moulding and other machineries, which call for lower noise.

Main Features:

1. Cartridge kits are entirely similar to those of Vickers stable V series pumps which can be interchanged with cartridge kits of SQP series.
2. New configuration design gets an excellent performance in restraining pulsing and noise.
3. Strengthened pump housing design offers a better anti-vibration ability, which effect the remarkable low noise.

SQP Series-single Pumps



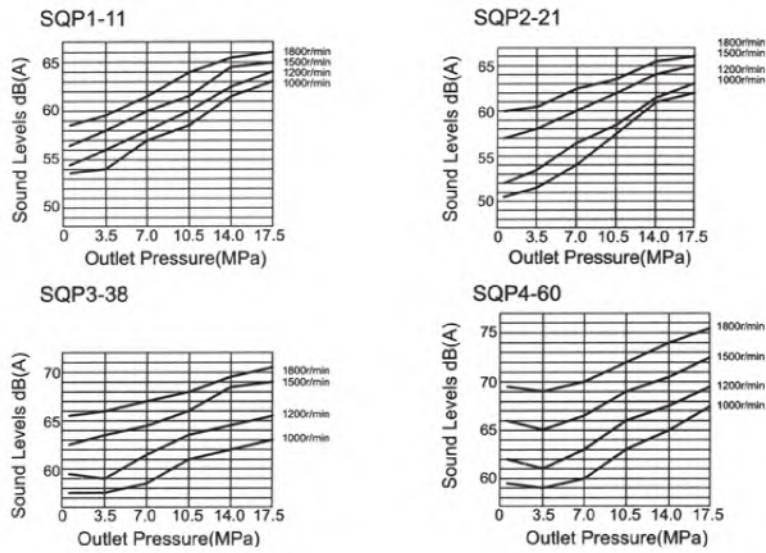
Model Designation

(F3-)	SQP2	-21	-1	C	(F)	-(LH)	-18
Infuse front, oil intermiscibility	Series	Displacement code	Shaft type	Outlet positions	Installation type	Rotation	Design number
No-marking: Anti-wear hydraulic oil, Water glycol fluid or water-oil emulsions F3-phosphate ester fluid	SQP1	2, 3, 4, 5, 6, 7, 8, 9, 10, 11, 12, 14	1- Belt key straight shaft	(Viewed from cover end of pump) A- Opposite inlet	No-marking:	(Viewed from shaft end of pump) LH- Left hand for counter clockwise	15
	SQP2	10, 12, 14, 15, 17, 19, 21, 25	86- Heavy belt key straight shaft	B- 90° CCW from inlet	Flange Mounting	No-marking-Right hand for clockwise	18
	SQP3	21, 25, 30, 32, 35, 38, 45		C- Inline with inlet	F-Foot Mounition		
	SQP4	42, 45, 50, 57, 60, 66, 75		D- 90° CW from inlet			

▲ USgpm Flow(USgpm) at 1200r/min and 0.69MPa.

Noise Data

Test condition ISO VG32, (50°C), distance 1m

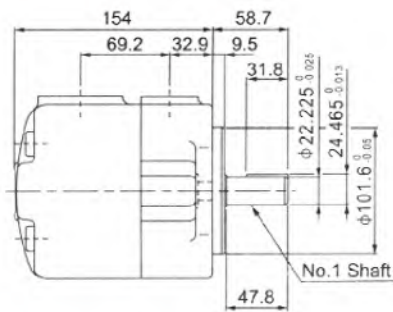
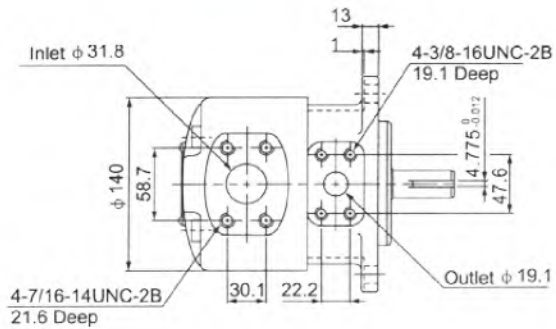


Technical Data

Series	Displacement code	Geometric displacement mL/r	With antiwear hydraulic oil or phosphate ester fluid		With water glycol fluid		With water-oil emulsions		Min. speed r/min
			MPa Max. pressure	r/min Max. speed	MPa Max. pressure	r/min Max. speed	MPa Max. pressure	r/min Max. speed	
SQP1	2	7.5	13.8	1800	13.8	1200	6.9	1200	600
	3	10.2							
	4	12.8							
	5	16.7	17.2						
	6	19.2							
	7	22.9							
	8	26.2							
	9	28.8	15.7						
	10	31.0							
	11	35.0	13.8						
12	37.9								
14	44.2	17.2	1800	15.9	1200	6.9	1200	600	
SQP2	10								32.5
	12								38.3
	14								43.3
	15								46.7
	17								52.5
	19								59.2
21	65.0								
SQP3	25	79.2	17.2	1800	15.9	1200	6.9	1200	600
	21	66.7							
	25	79.2							
	30	95.0							
	32	100							
SQP4	35	109	13.8	1800	13.8	1200	6.9	1200	600
	38	118							
	45	140							
	42	134	17.2						
	45	140							
	50	156							
	57	178							
60	189								
66	207	13.8							
75	237								

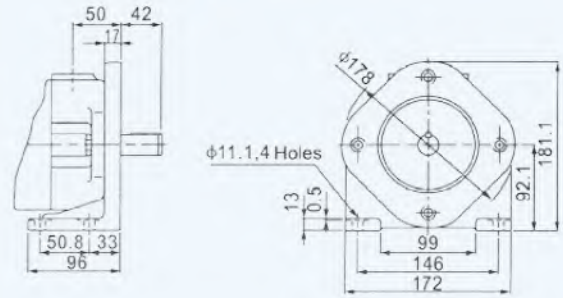
● USgpm Flow(USgpm) at 1200r/min and 0.69MPa ▲ Permit surpassing the top pressure 10% instantaneous pressure, within 0.5 Second.

SQP1 Flange Mounting

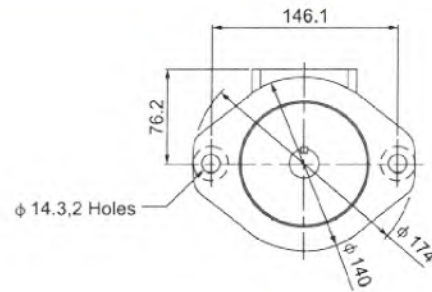


For other shaft dimensions, refer to page 72

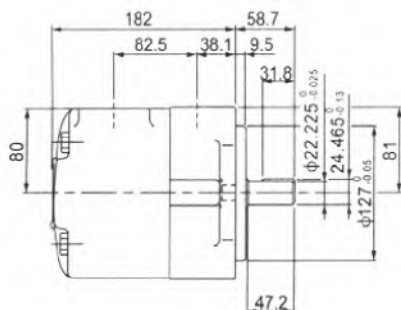
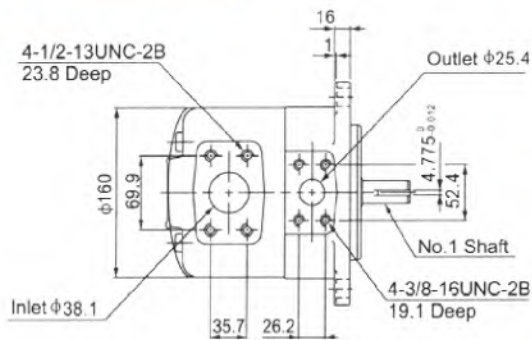
SQP1 Foot Mounting



For other dimensions, refer to "Flange Mounting" type

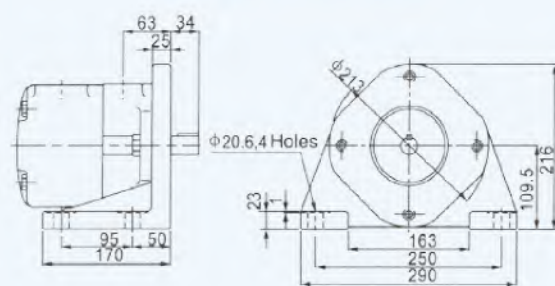


SQP2 Flange Mounting

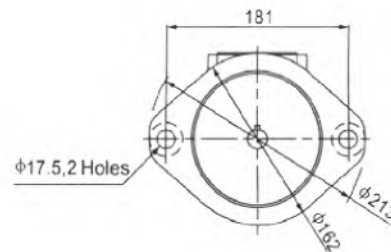


For other shaft dimensions, refer to page 72

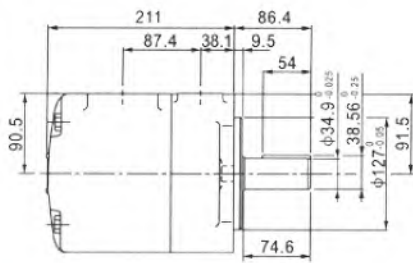
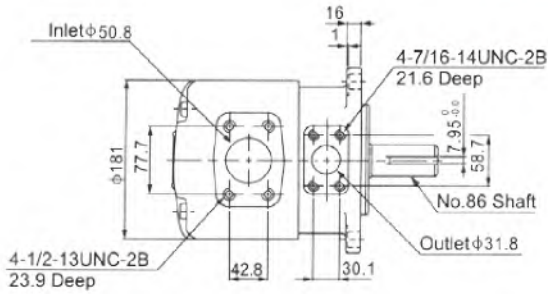
SQP2 Foot Mounting



For other dimensions, refer to "Flange Mounting" type

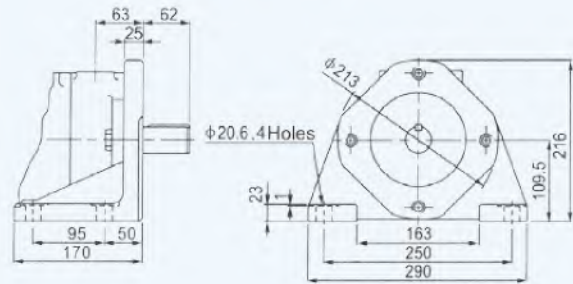


SQP3 Flange Mounting

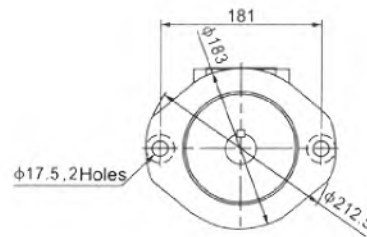


For other shaft dimensions, refer to page 72

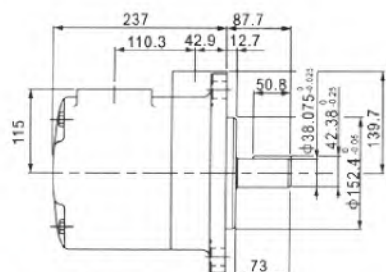
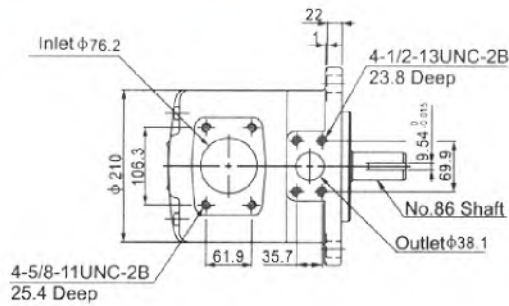
SQP3 Foot Mounting



For other dimensions, refer to "Flange Mounting" type

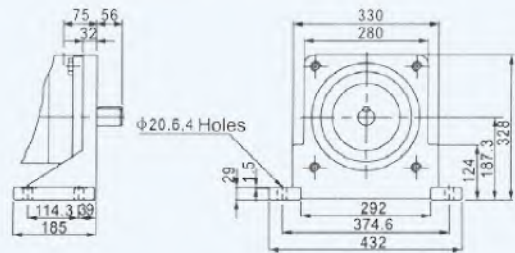


SQP4 Flange Mounting

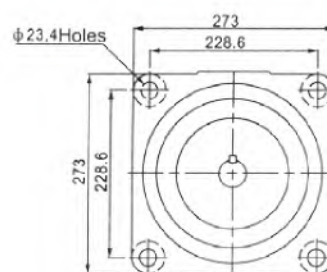


For other shaft dimensions, refer to page 72

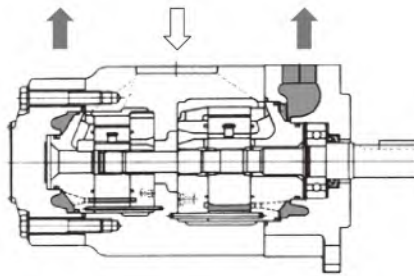
SQP4 Foot Mounting



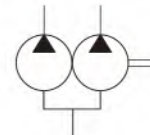
For other dimensions, refer to "Flange Mounting" type



SQP Series-double Pumps



Hydraulic Sign



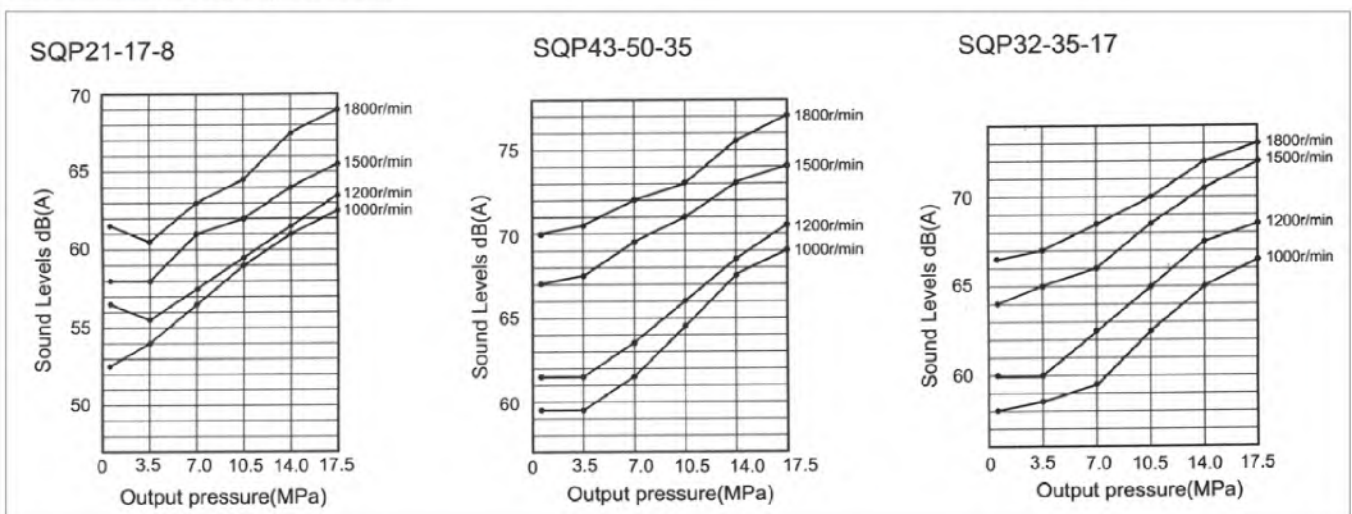
Model Designation

(F3-)	SQP32	-35	-17	-86	CD	(F)	-(LH)	-18
Infuse front, oil intermiscibility	Series	Displacement code of shaft end pump	Displacement code of cover end pump	Shaft type	Port positions	Installation type	Rotation	Design number
No-marking: Anti-wear hydraulic oil, Water glycol fluid or water-oil emulsions F3-phosphate ester fluid	SQP21	10, 12, 14, 15, 17, 19, 21, 25	2, 3, 4, 5, 6, 7, 8, 9, 10, 11, 12, 14	1- Belt key straight shaft	See below	No-marking: Flange Mounting F-Foot Mounting	(Viewed from shaft end of pump) LH- Left hand for counter clockwise No marking-Rihgt hand for clockwise	18
	SQP31	21, 25, 30, 32, 35, 38, 45	2, 3, 4, 5, 6, 7, 8, 9, 10, 11, 12, 14					
	SQP32	21, 25, 30, 32, 35, 38, 45	10, 12, 14, 15, 17, 19, 21, 25					
	SQP41	42, 45, 50, 57, 60, 66, 75	2, 3, 4, 5, 6, 7, 8, 9, 10, 11, 12, 14	86- Heavy belt key straight shaft				
	SQP42	42, 45, 50, 57, 60, 66, 75	10, 12, 14, 15, 17, 19, 21, 25					
SQP43	42, 45, 50, 57, 60, 66, 75	21, 25, 30, 32, 35, 38, 45						

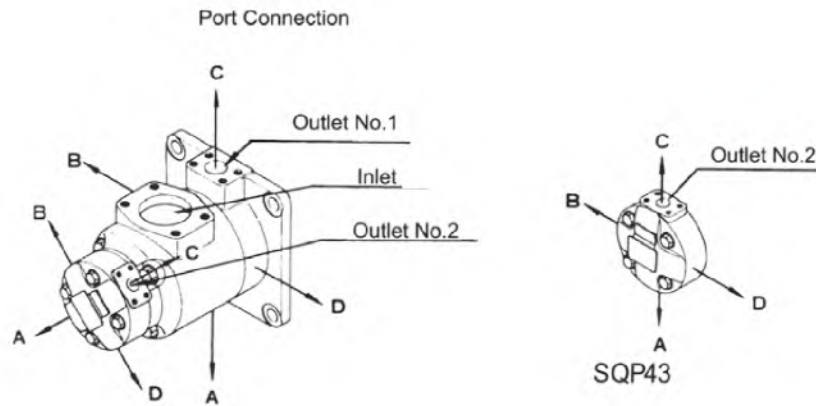
▲ USgpm Flow(USgpm) at 1200r/min and 0.69MPa.

Noise Data

Test condition ISO VG32, (50°C), distance 1m



Outlet Positions (Viewed from cover end of pump)



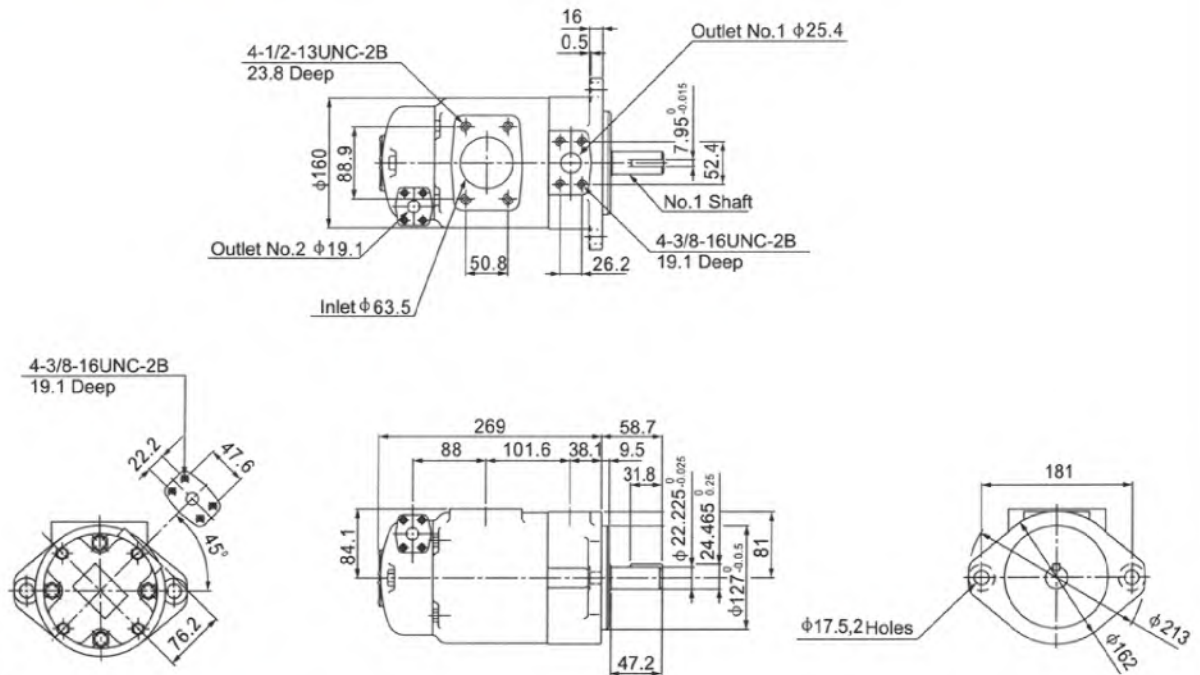
Port positions		All series (except SQP43)	SQP43 series
No.1 outlet opposite inlet	AA	No.2 outlet 135° CCW from inlet	No.2 outlet opposite inlet
	AB	No.2 outlet 45° CCW from inlet	No.2 outlet 90° CCW from inlet
	AC	No.2 outlet 45° CW from inlet	No.2 outlet inline with inlet
	AD	No.2 outlet 135° CW from inlet	No.2 outlet 90° CW from inlet
No.1 outlet 90° CCW from inlet	BA	No.2 outlet 135° CCW from inlet	No.2 outlet opposite inlet
	BB	No.2 outlet 45° CCW from inlet	No.2 outlet 90° CCW from inlet
	BC	No.2 outlet 45° CW from inlet	No.2 outlet inline with inlet
	BD	No.2 outlet 135° CW from inlet	No.2 outlet 90° CW from inlet
No.1 outlet inline with inlet	CA	No.2 outlet 135° CCW from inlet	No.2 outlet opposite inlet
	CB	No.2 outlet 45° CCW from inlet	No.2 outlet 90° CCW from inlet
	CC	No.2 outlet 45° CW from inlet	No.2 outlet inline with inlet
	CD	No.2 outlet 135° CW from inlet	No.2 outlet 90° CW from inlet
No.1 outlet 90° CW from inlet	DA	No.2 outlet 135° CCW from inlet	No.2 outlet opposite inlet
	DB	No.2 outlet 45° CCW from inlet	No.2 outlet 90° CCW from inlet
	DC	No.2 outlet 45° CW from inlet	No.2 outlet inline with inlet
	DD	No.2 outlet 135° CW from inlet	No.2 outlet 90° CW from inlet

Technical Data

Series	Shaft end pump (No.1 outlet)			Cover end pump (No.2 outlet)			r/min Max. speed	Min. speed r/min	
	Displacement code	mL/r Geometric displacement	MPa Max. pressure	Displacement code	mL/r Geometric displacement	MPa Max. pressure			
SQP21	10	32.5	As SQP2	2	7.5	As SQP1	As SQP Series single pumps	600	
	12	38.3							
	14	43.3							
	15	46.7							
	17	52.5							
	19	59.2							
	21	65.0							
	25	79.2							
SQP31	21	66.7	As SQP3	6	19.2	As SQP1	As SQP Series single pumps	600	
	25	79.2		7	22.9				
	30	95.0		8	26.2				
	32	100		9	28.8				
	35	109		10	31.0				
	38	118			11				35.0
	45	140			12				37.9
SQP41	42	134	As SQP4	14	44.2	As SQP2	As SQP Series single pumps	600	
	45	140							
	50	156							
	57	178							
	60	189							
	66	207							
	75	237							
SQP32	21	66.7	As SQP3	10	32.5	As SQP2	As SQP Series single pumps	600	
	25	79.2		12	38.3				
	30	95.0		14	43.3				
	32	100		15	46.7				
	35	109		17	52.5				
	38	118			19				59.2
	45	140			21				65.0
SQP42	42	134	As SQP4	25	79.2	As SQP3	As SQP Series single pumps	600	
	45	140							
	50	156							
	57	178							
	60	189							
	66	207							
	75	237							
SQP43	42	134	As SQP4	21	66.7	As SQP3	As SQP Series single pumps	600	
	45	140		25	79.2				
	50	156		30	95.0				
	57	178		32	100				
	60	189		35	109				
	66	207		38	118				
	75	237		45	140				

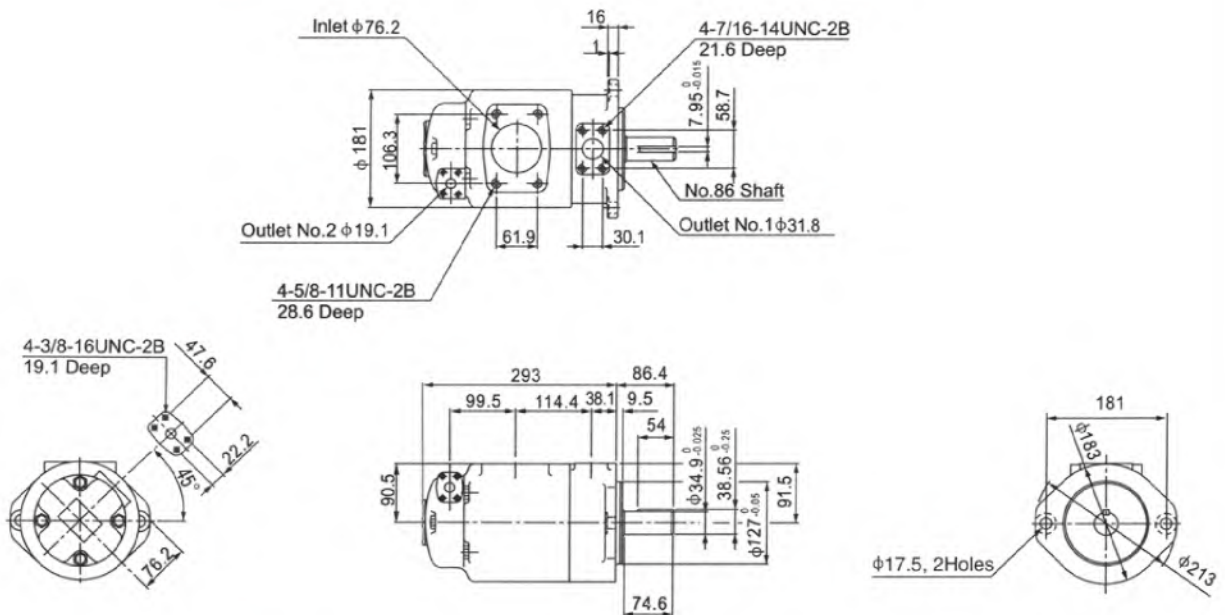
● USgpm Flow(USgpm) at 1200r/min and 0.69MPa ▲ Permit surpassing the top pressure 10% instantaneous pressure, within 0.5 second.

SQP21 Flange Mounting



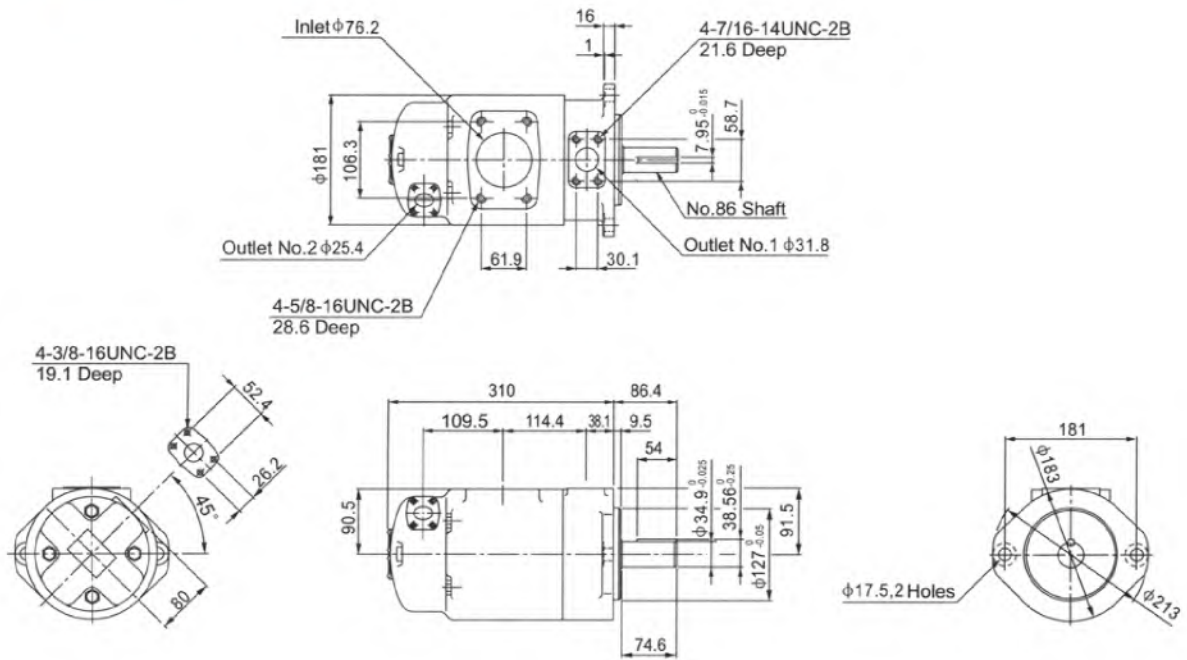
其他轴类尺寸见72页
For other shaft dimensions, refer to page 72

SQP31 Flange Mounting



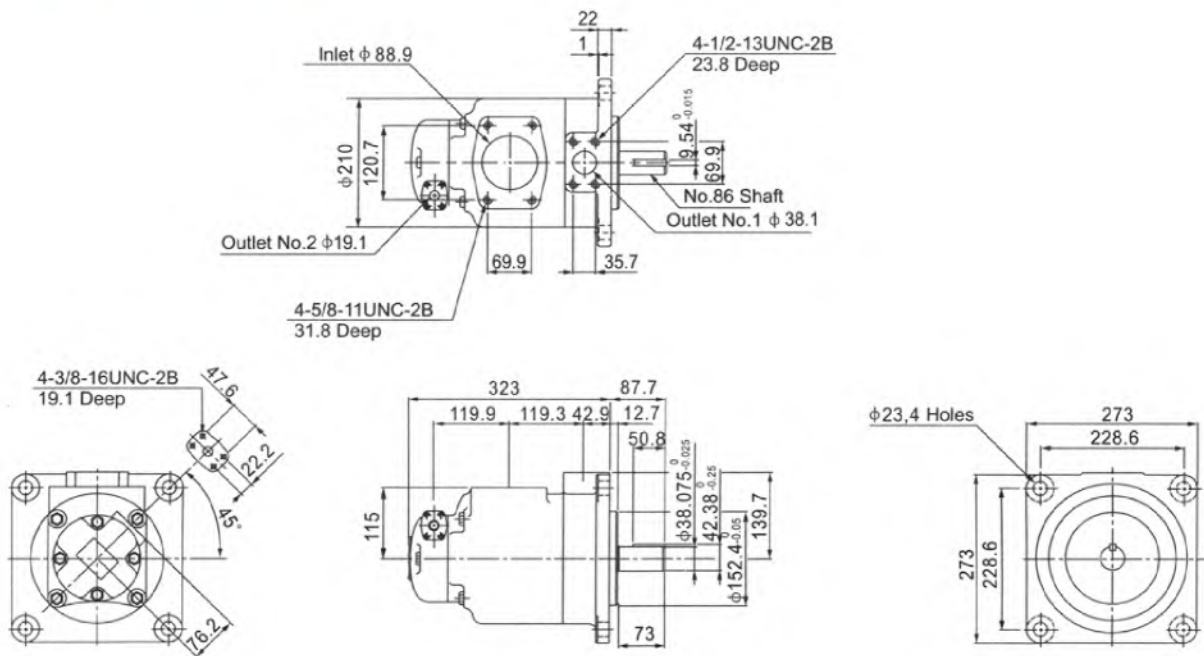
For other shaft dimensions, refer to page 72

SQP32 Flange Mounting



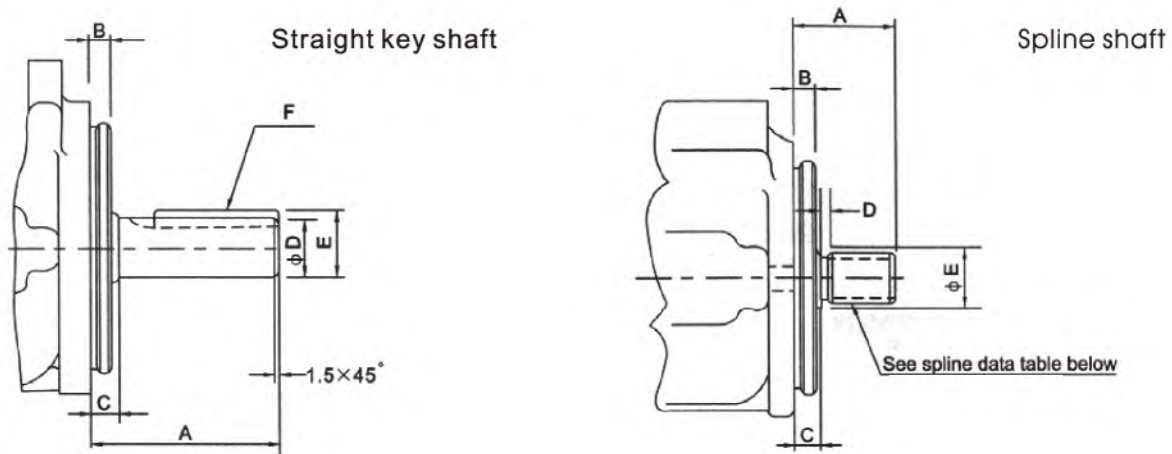
For other shaft dimensions, refer to page 72

SQP41 Flange Mounting



For other shaft dimensions, refer to page 72

Shaft type



Straight Key shaft

Model	Shaft code	A	B	C	ΦD	E	F key width x length
20V, 20VQ, SQP1	1	59	9.53	12.1	22.23/22.20	24.5/24.4	4.76*32
25V, 2520V 25VQ, 2520VQ SQP2, SQP21	1	59	9.53	11.1	22.23/22.20	24.5/24.4	4.76*32
	86	78	9.53	11.1	25.37/25.35	28.3/28.1	6.36*50.8
35V, 35※V 35VQ, 35※VQ SQP3, SQP3※	1	73.2	9.53	11.1	31.75/31.70	35.36/35.10	7.94*38.1
	86	86	9.53	11.1	34.90/34.87	38.6/38.3	7.94*54
45V, 45※V 45VQ, 45※VQ SQP4, SQP4※	1	62	12.7	14.22	31.75/31.70	35.36/35.10	7.94*28.5
	86	87.4	12.7	14.22	38.07/38.05	42.4/42.1	9.54*50.8

Spline shaft

Model	Shaft code	A	B	C	D	E	Spline data(see below)
20V, 20VQ	151	41.1	9.53	11.1	3.9	27.8	A
25V, 2520V 25VQ, 2520VQ	11	44.5	9.53	11.1	3.9	27.8	A
35V, 35※V 35VQ, 35※VQ	11	58.7	9.53	11.1	6.35	35.1	C
45V, 45※V 45VQ, 45※VQ	11	61.9	12.7	14.3	9.7	39.6	C

Spline Data Table(Involute spline)

Spline Data Reference	Number of teeth	Pitch	Major Diameter	Form Diameter	Minor Diameter	Minor Diameter
A	13	16/32	22.17/22.15	19.03	18.63/18.35	Major diameter fit
C	14	12/24	31.70/31.67	27.2	26.99/26.64	

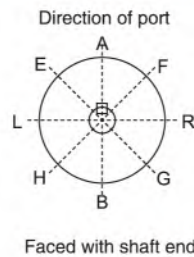
PV2R Series-vane Pumps



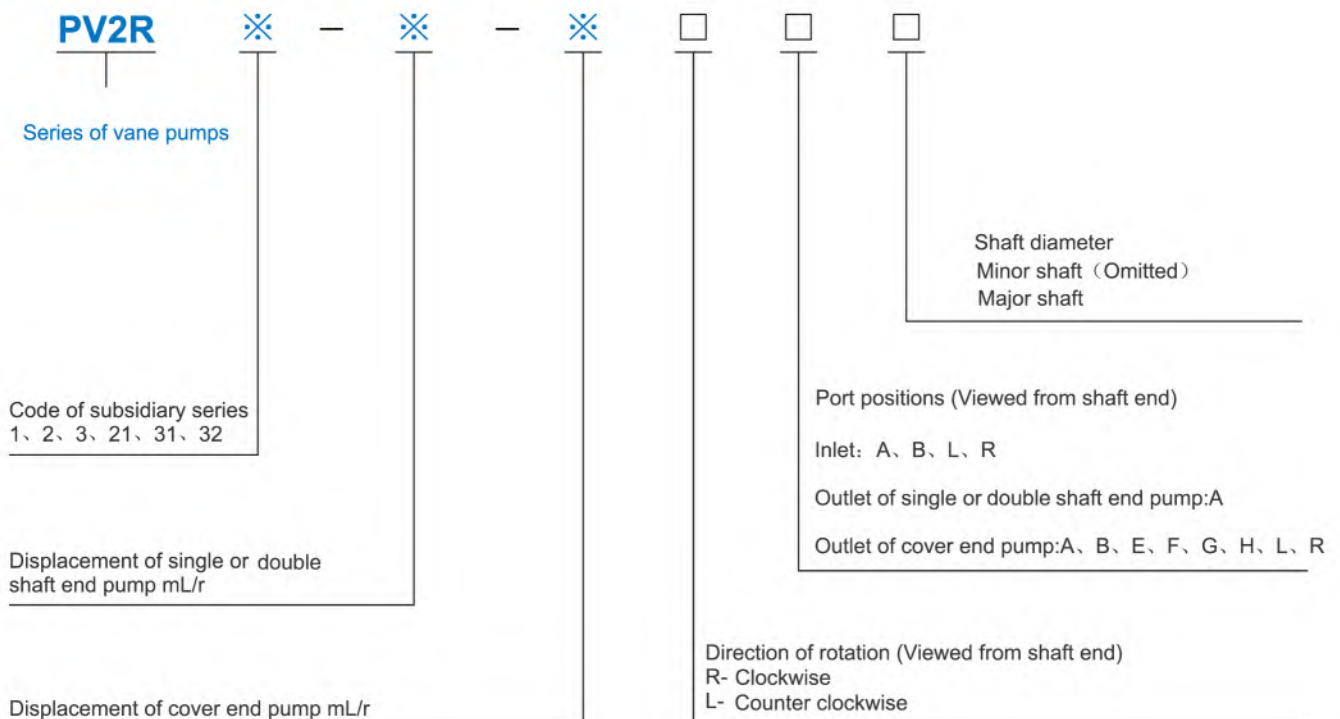
Product Introduction

PV2R series of vane pumps with high pressure and lower noise are high-performance products, which are developed and domestically produced by our company, featured by advanced performance, reasonable structure, good creditability, lower noise, ultra-low pulse and stable quality and so on. Precisely made, the product can be used in the equipment with high precision and low noise, and is widely used in cutting, plastic, leather, forging and engineering machinery fields, and the like.

Direction of port



Model Designation



Specifications

Single Pumps

Model	Displacement (mL/r)	Max.pressure(MPa)			Speed (r/min)		Input power (kW)
		Special oil	Antiwear oil	Common oil	Min.	Max.	
PV2R1-4	4.3	21	17.5	16	750	1800	2.1
PV2R1-6	6.5						3.2
PV2R1-8	8.5						4.5
PV2R1-10	10.8						5.4
PV2R1-12	12.8						6.1
PV2R1-14	14.5						6.9
PV2R1-17	16.2						7.9
PV2R1-19	20.1						9.6
PV2R1-23	22.5						10.5
PV2R1-25	25.3						12.5
PV2R1-28	29.6						14.0
PV2R1-31	32.3	16	16				15.5
PV2R2-26	25.3	21	17.5	14	600	1800	11.7
PV2R2-33	32.3						15.5
PV2R2-41	39.8						18.9
PV2R2-47	49.8						23.2
PV2R2-53	51.5						24
PV2R2-59	55.8						24.9
PV2R2-65	63.7						29.4
PV2R3-52	51.5	21	17.5	14	600	1800	23.2
PV2R3-60	63.7						29.4
PV2R3-66	66.6						34.2
PV2R3-76	75.5						37.7
PV2R3-94	89.5						41.2
PV2R3-116	118	16	16			1200	50
PV2R3-125	122.2						59.9
PV2R3-136	136						66.7
PV2R3-153	153						66.7

- Note:
1. When pressure of pumps exceeds 16MPa, with displacement of "4" "6" "8", speeds should be more than 1450r/min.
 2. Reduce the negative pressure of the inlet when the single pumps or double pumps with large displacement at high speed.
 3. In use of synthetic hydraulic fluids and water containing hydraulic fluids, limit the max speed at 1200r/min.
 4. Speed at 1000r/min is suggested on occasions with lower noise strictly required.
 5. Noisiness is available in working conditions of 14MPa and 1200r/min.
 6. Input power is available in working conditions of 16MPa and 1500r/min.

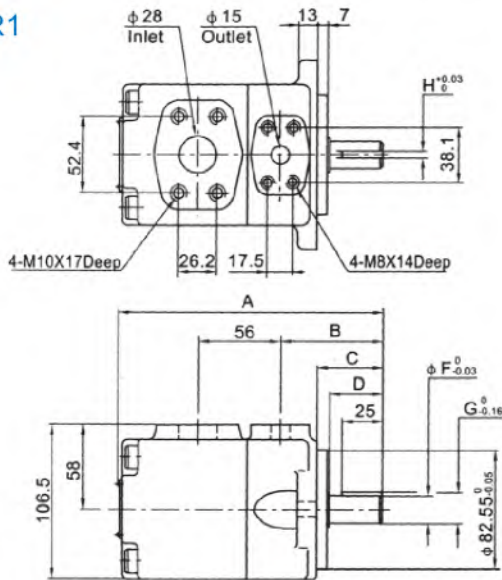
Double Pumps

Series	Displacement of shaft end pump	Displacement of cover end pump
PV2R21	26, 33, 41, 47, 53, 59, 65	4, 6, 8, 10, 12, 14, 17, 19, 23, 25, 28, 31
PV2R31	52, 60, 66, 76, 94, 116, 125, 136	4, 6, 8, 10, 12, 14, 17, 19, 23, 25, 28, 31
PV2R32	52, 60, 66, 76, 94, 116, 125, 136	26, 33, 41, 47, 53, 59, 65

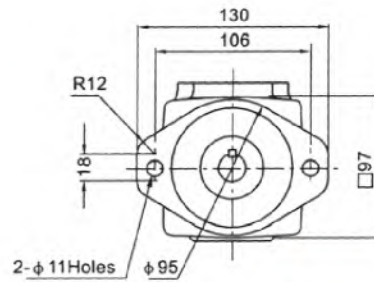
Installation Dimensions

Single Pumps

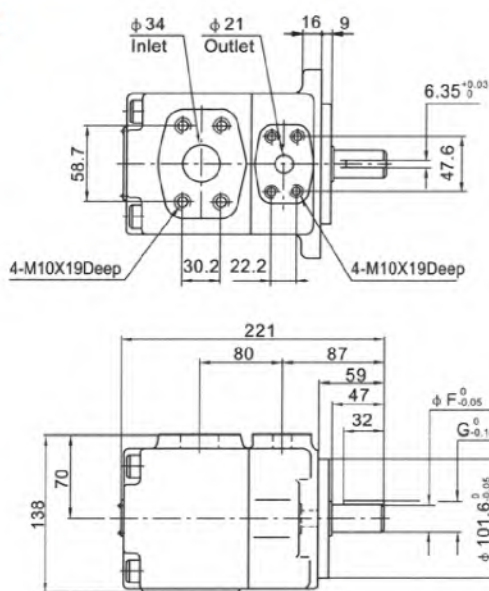
PV2R1



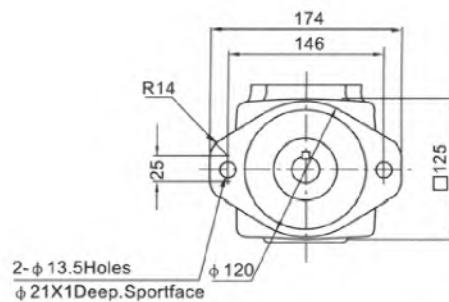
Shaft type	A	B	C	D	F	G	H
F1	178.5	69.5	44.5	36	19.05	21.24	4.76
F	184	75	50	41	15.88	17.68	3.97



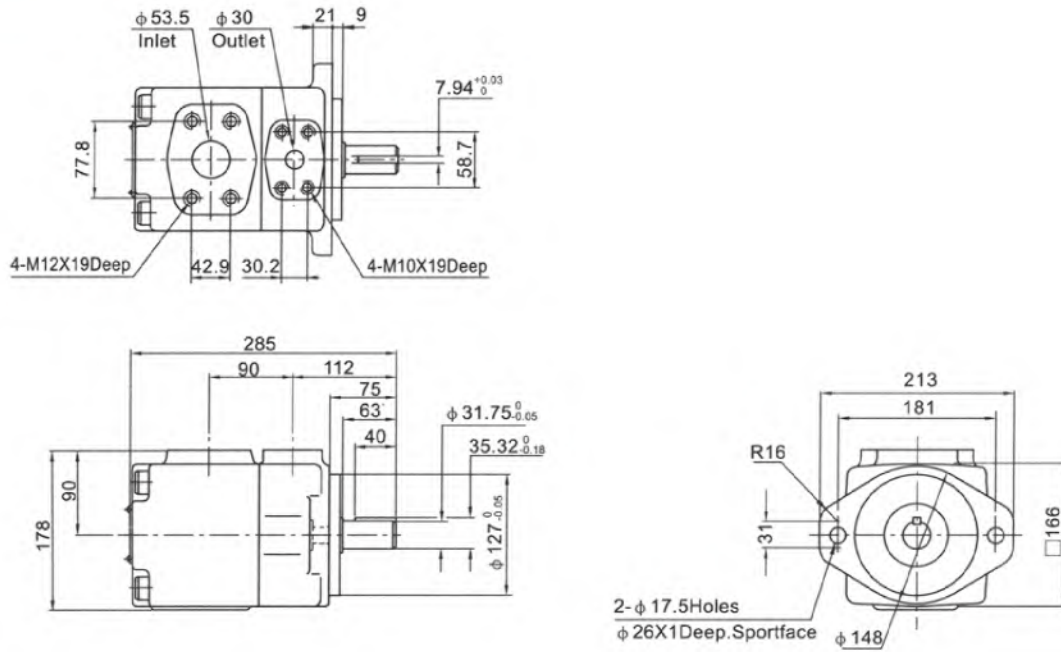
PV2R2



Shaft type	F	G
F1	25.4	28.18
F	22.23	25.01

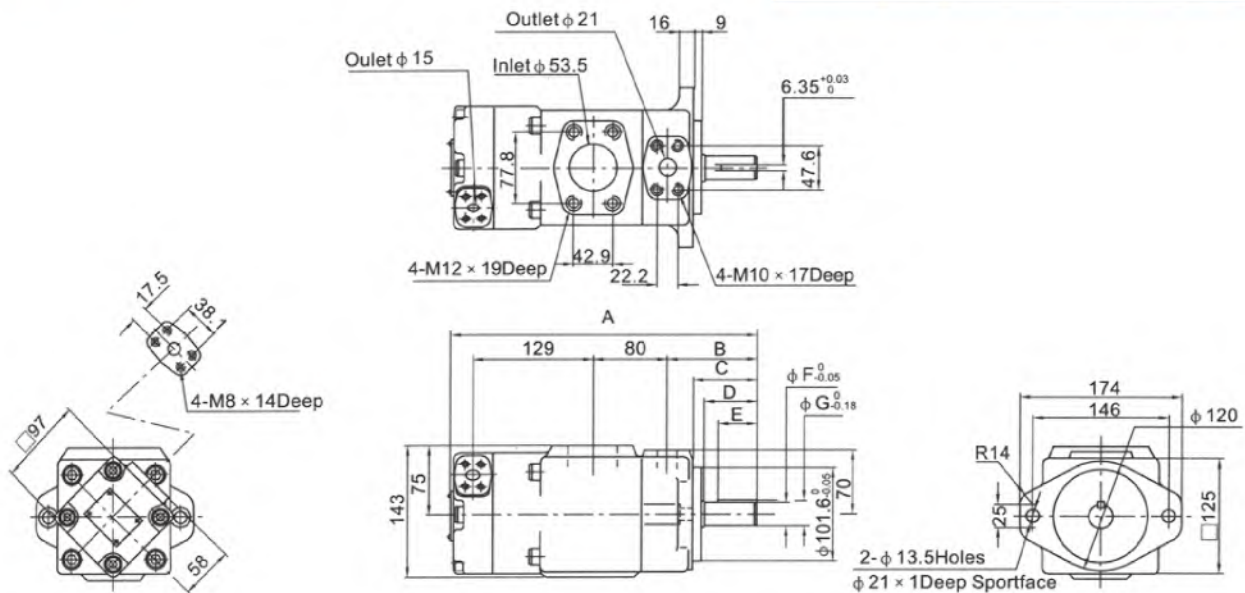


PV2R3

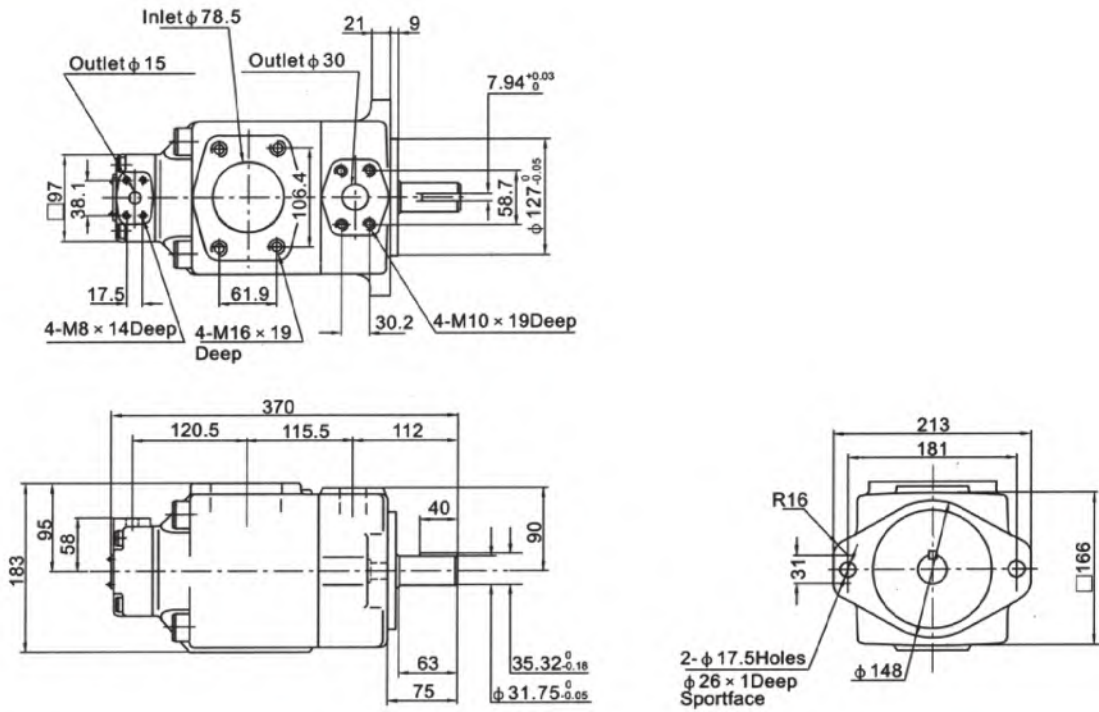


Double Pumps
PV2R21

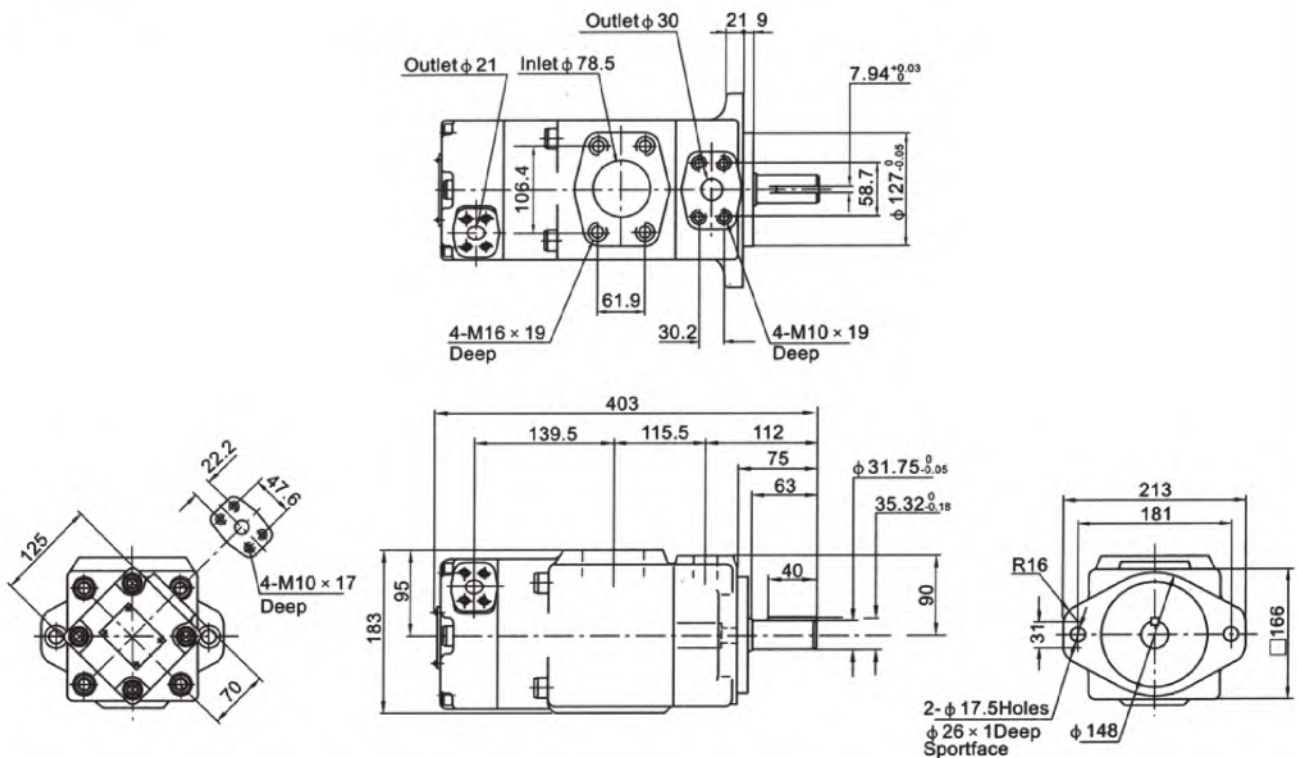
Shaft type	A	B	C	D	E	F	G
F1	326	95	67	55	40	25.4	28.18
F	318	87	59	47	32	22.23	25.01



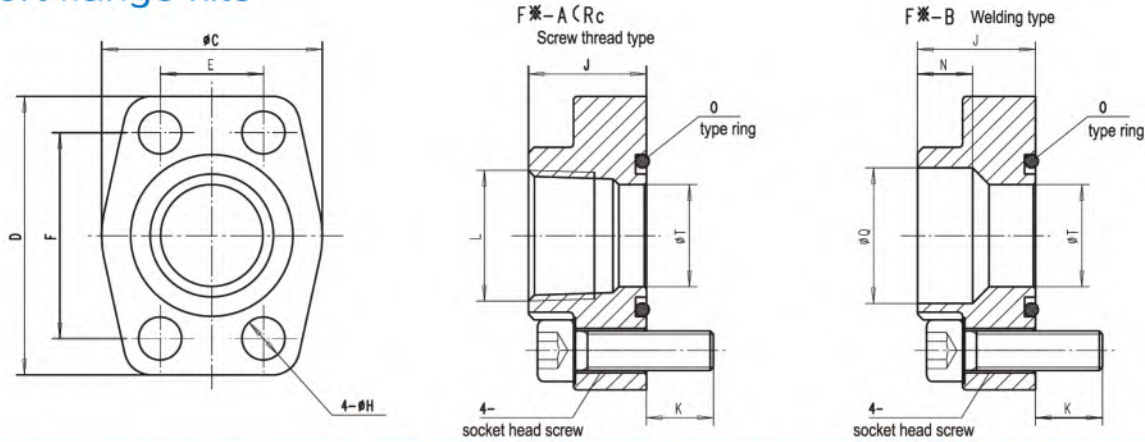
PV2R31



PV2R32



Port flange kits



Flange model	Corresponding pipe specifications	Dimensions mm										O / Ring GB3452.1-2005	PV2R Series		
		C	D	E	F	H	J	L	N	Q	T		socket head screw	Dimensions K	Corresponding oil pump interface
F04-A	1/2"	40	54	17.5	38.1	9.0	27	Rc1/2"	-	-	13	21.2x2.65	M8x30mm	12.5	PVR1 outlet, PV2R21, PV2R31 outlet of cover end pump
F04-B								-	11	22.5					
F06-A	3/4"	50.5	65.5	22.2	47.6	11.0	28	Rc3/4"	-	-	19	30x3.55	M10x30mm	12.5	PVR2 outlet, PV2R21 outlet of shaft end pump, PV2R32 outlet of cover end pump
F06-B								-	12	28.5					
F08-A	1"	56	71	26.2	52.4	11.0	30	Rc1"	-	-	26	34.5x3.55	M10x35mm	17.0	PVR1 inlet port
F08-B								-	14	34.5					
F10-A	1-1/4"	64.5	79.5	30.2	58.7	12.0	32	Rc1-1/4"	-	-	32	40x3.55	M10x40mm	19	PVR2 inlet port, PV2R3 outlet, PV2R31, PV2R32 outlet of shaft end pump
F10-B								-	16	43.0					
F12-A	1-1/2"	71	94	35.7	69.9	13.8	37	Rc1-1/2"	-	-	38	50x3.55	-	-	-
F12-B								-	18	49.1					
F16-A	2"	87.5	103	42.9	77.8	13.8	38	Rc2"	-	-	51	65x3.55	M12x45mm	17.5	PVR3, PV2R21 inlet
F16-B								-	20	61.0					
F20-A	2-1/2"	96	115	50.8	88.9	13.8	42	Rc2-1/2"	-	-	63	75x3.55	-	-	-
F20-B								-	22	77.1					
F24-A	3"	123	136	61.9	106.4	17.0	45	Rc3"	-	-	76	85x3.55	M16x45mm	16.5	PVR31, PV2R32 inlet
F24-B								-	25	90.0					
F28-A	3-1/2"	135	153	69.9	120.7	17.5	46	Rc3-1/2"	-	-	89	100x3.55	-	-	-
F28-B								-	20	102.8					
F32-A	4"	145	162	77.8	130.2	17.0	50	Rc4"	-	-	102	115x3.55	-	-	-
F32-B								-	28	115.5					

Flange model	V, VQ, SQP, T6 Series		
	socket head screw	Dimensions K	Corresponding oil pump interface
F04-A	-	-	-
F04-B	-	-	-
F06-A	3/8"-16UNCx1.5" (38.1mm)	20.6	20V(Q), SQP1 outlet, 2520V(Q), 3520V(Q), 4520V(Q), SQP21, SQP31, SQP41, T6CC (01, 11 oil port dimensions), T6DCC (01/oil port dimensions), T6DDCS (01 oil port dimensions), T6EDC(S) (01/oil port dimensions) outlet of cover end pump
F06-B			
F08-A	3/8"-16UNCx1.5" (38.1mm)	20.1	225V(Q), SQP2, T6C outlet port, 2520V(Q), SQP21, T6CC outlet of shaft end pump, 3525V(Q), 4525V(Q), SQP32, SQP42, T6CC (00, 10/oil port dimensions), T6EC, T6DCC (00/oil port dimensions), T6DDCS (00/oil port dimensions), T6EDC(S) (00/oil port dimensions) outlet of cover end pump, T6DCC outlet of middle pump
F08-B			
F10-A	7/16"-14UNCx1.575" (40mm)	19.0	SQP1 inlet, 35V(Q), SQP3, T6D outlet, 3520V(Q), 3525V(Q), SQP31, SQP32, T6DC, T6DCC, T6DDCS outlet of shaft end pump, 4535V(Q), SQP43, T6ED outlet of cover end pump, T6DDCS, T6EDC(S) outlet of middle pump
F10-B			
F12-A	1/2"-13UNCx1.75" (44.5mm)	19.0	20V(Q), 25V(Q), SQP2, T6C inlet, 45V(Q), SQP4, T6E outlet, 4535V(Q), SQP43, T6EC, T6ED, T6EDC(S) outlet of shaft end pump
F12-B			
F16-A	1/2"-13UNCx1.75" (44.5mm)	17.0	35V(Q), SQP3, T6D inlet
F16-B			
F20-A	1/2"-13UNCx1.75" (44.5mm)	16.5	2520V(Q), SQP21, T6CC (10, 11/oil port dimensions) inlet
F20-B			
F24-A	5/8"-11UNCx2" (50.8mm)	22.3	45V(Q), SQP4, T6E inlet, 3520V(Q), 3525V(Q), SQP31, SQP32, T6CC (00, 01/oil port dimensions), T6DC inlet
F24-B			
F28-A	5/8"-11UNCx2" (50.8mm)	22.3	4520V(Q), 4525V(Q), SQP41, SQP42, T6EC inlet
F28-B			
F32-A	5/8"-11UNCx2" (50.8mm)	19.3	4535V(Q), SQP43, T6ED, T6DCC, T6DDCS, T6EDC(S) inlet
F32-B	5/8"-11UNCx1.75" (44.5mm)	23.0	

M Series-vane Motor

Suitable for various medium and high pressure hydraulic systems, such as fishing boat trawlers, ship windlasses, winches, engineering machinery, etc.



The main features are:

The speed range is wide, the noise is low, it can be forward and reverse, and the action is sensitive. Radial hydraulic balance, so the working pressure is high, the service life is long, and it has the characteristics of small size, light weight, simple structure, convenient use and maintenance.

Model Designation

25M		65		A	-11	C	20	
Series		ml/r Displacement		Port connections	Shaft type	Outlet positions	Design number	
Standard bearing	25M	Heavy-duty bearings	26M	42、55、65	2-bolt mounting flange and 4-bolt flange connection	1- Straight key shaft 11- Spline shaft	(Viewed from cover end of pump) A- Opposite inlet B- 90° CCW from inlet C- Inline with inlet D- 90° CW from inlet	20-29
	35M		36M	80、95、115				
	45M		46M	130、155、185				
	50M		51M	220、255、300				

Technical Data

Series	(Torque) Nm/6.9 bar (lb in/100 psi)	ml/r Displacement	L/min (USgpm)	Mx.speed and pressure	Weight kg (lb)
25M	4.7(42)	43.9(2.68)	52.6(13.9)	3600r/min @ 34bar(500psi) † 4000r/min @ 34bar(500psi) ‡ 2600r/min @ 155bar(2250psi) † 3000r/min @ 172bar(2500psi) ‡	18 (40)
	6.2(55)	57.7(3.52)	69.3(18.3)		
	7.3(65)	68.7(4.19)	82.5(21.8)		
35M	9.0(80)	83.6(5.10)	100.3(26.5)		29 (64)
	10.7(95)	100.3(6.12)	120.4(31.8)		
45M	13.0(115)	121.9(7.44)	146.1(38.6)		39 (85)
	14.7(130)	138.0(8.42)	165.4(43.7)		
	17.5(155)	163.2(9.96)	195.7(51.7)		
50M	20.9(185)	193.2(11.79)	232.0(61.3)	2800r/min @ 34bar(500psi) † 3200r/min @ 34bar(500psi) ‡ 2200r/min @ 155bar(2250psi) † 2400r/min @ 172bar(2500psi) ‡•	73 (160)
	24.9(220)	231.2(14.11)	277.5(73.3)		
	28.8(255)	268.1(16.36)	321.8(85.0)		
	33.9(300)	317.1(19.35)	380.4(100.5)		

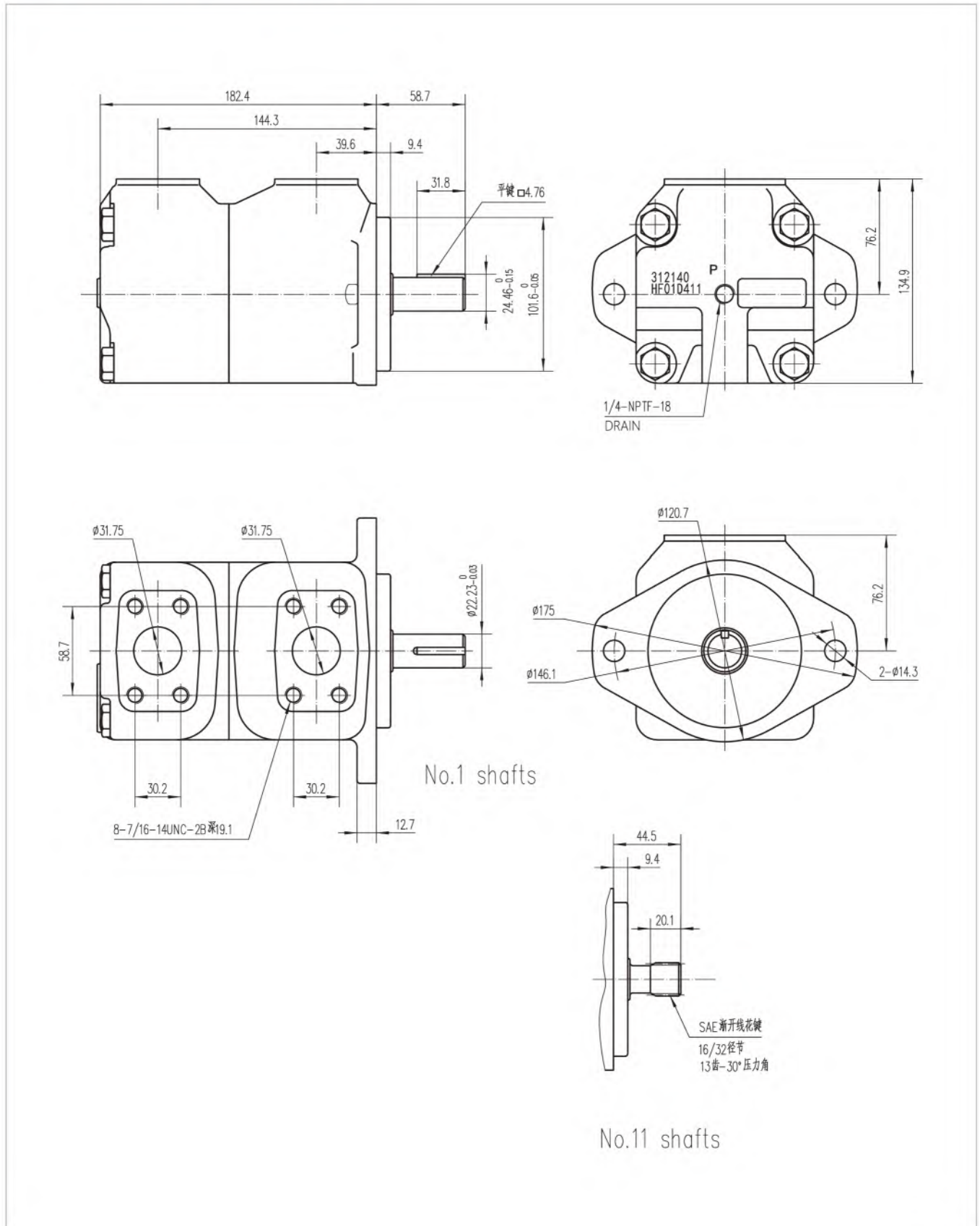
† Continuously working

‡ Intermittent work: 10% of the total working time, each pressure and or speed work does not exceed 6 seconds.

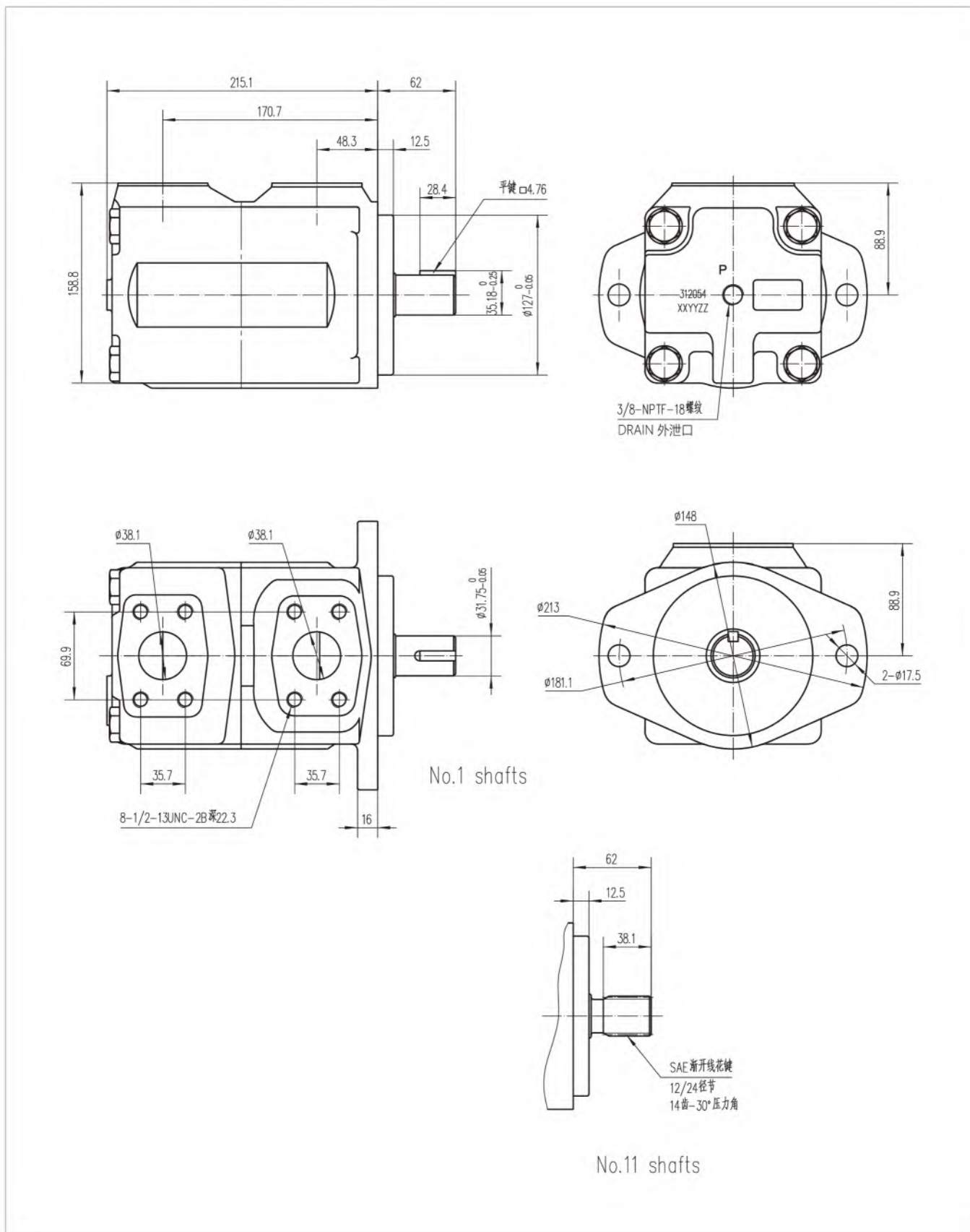
• 114 model: 2500psi, CCW; 2250psi, CW (see rotation from the shaft end)

• 124 model: 2500psi, one-way rotation

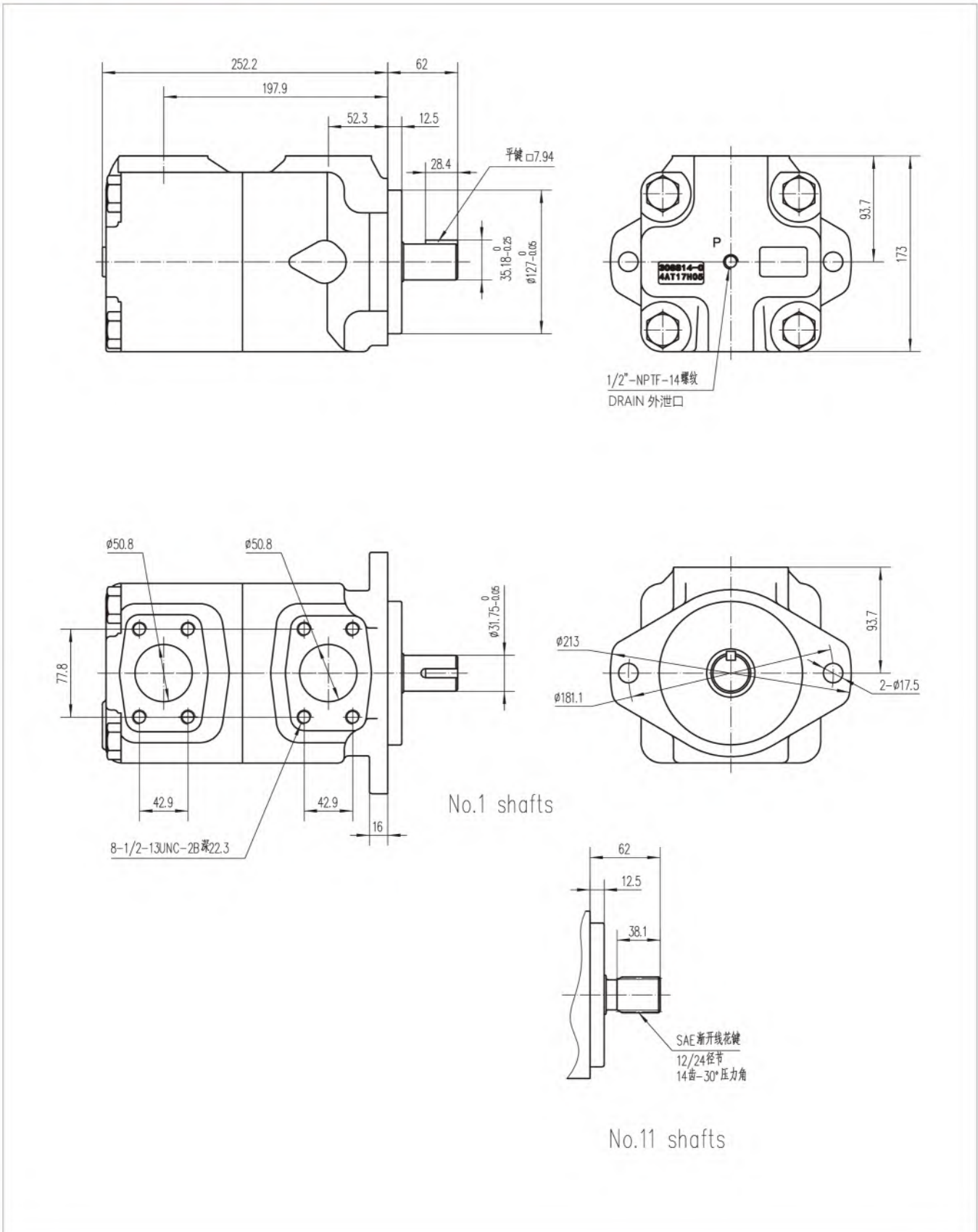
25M Installation Dimensions



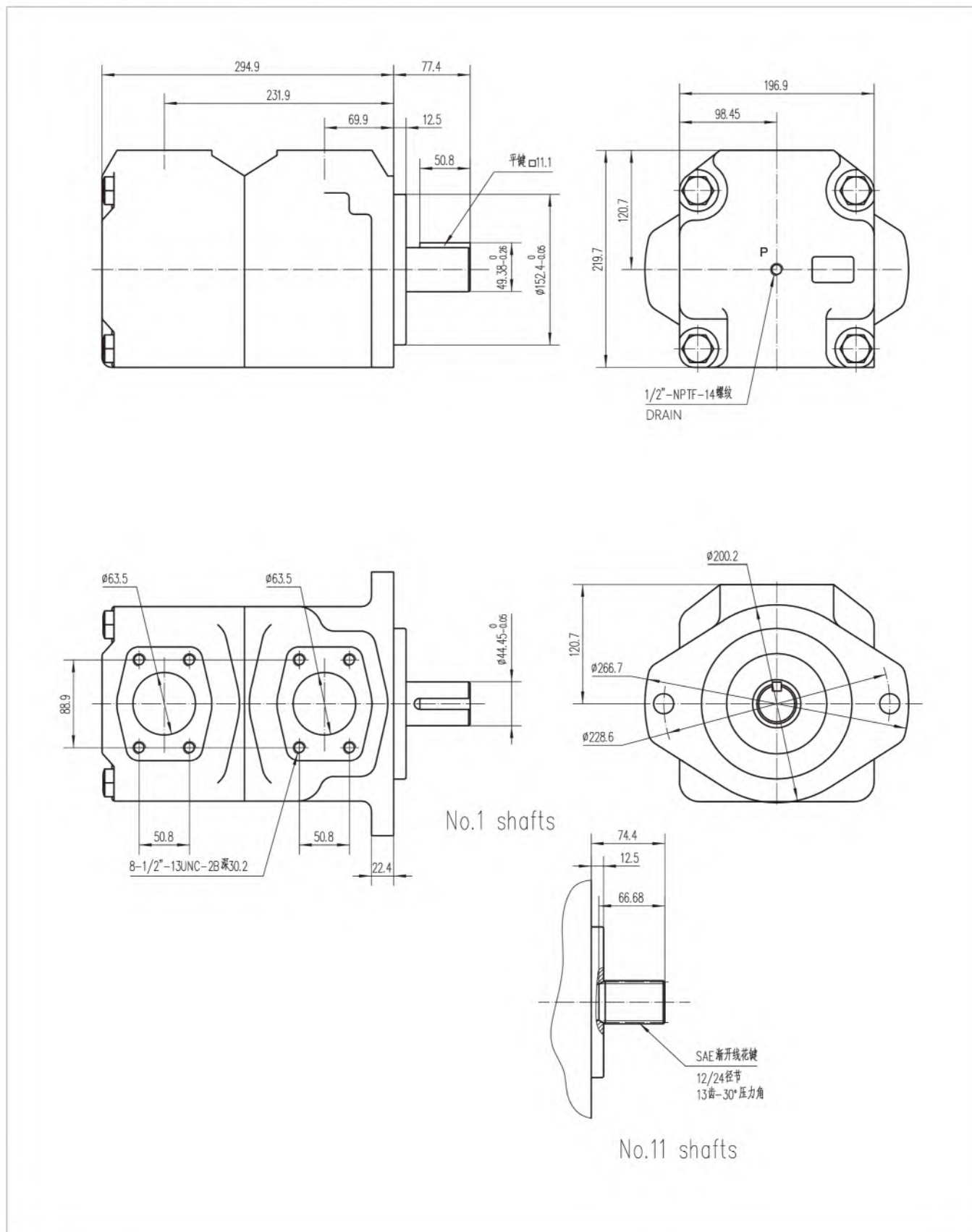
35M Installation Dimensions



Installation Dimensions



50M Installation Dimensions



M4 Series-vane Motor



Model Designation

M4C	067	-1	N	00	A	1	02
Series	ml/r Displacement	Shaft type	Rotation	Port positions	Design number	Sealing Level	Oil port
M4C	024 (24.2)	1- Straight key shaft	N: Two-way	See picture below	A	1- NBR Nitrile rubber	See picture below
	027 (28.2)						
	031 (34.5)						
	043 (46.5)						
	055 (58.8)						
	067 (71.1)						
M4D	075 (80.1)	2- Straight key shaft	A: Clockwise	See picture below	A	5- Fluororubber	See picture below
	062 (65.1)						
	074 (76.8)						
	088 (91.1)						
	102 (105.5)						
	113 (116.7)						
M4E	128 (132.4)	3- Spline shaft	B: anti-lockwise	See picture below	A	5- Fluororubber	See picture below
	138 (144.4)						
	153 (158.6)						
	185 (191.6)						
	214 (222.0)						

Technical Data

Model	Specification	Displacement ml/rev	Torque Nm/bar	100rpm Efficiency kW/bar	Max.pressure Mpa bar	Max.speed r/min		
						Rated pressure		Minimum pressure rpm
						Continuous rpm	Temporarily rpm	
M4C	024	24.4	0.390	0.0040	230	2500	3600	4000 (80bar)
	027	28.2	0.450	0.0047				
	031	34.5	0.550	0.0058				
	043	46.5	0.740	0.0078				
	055	58.8	0.930	0.0098				
	067	71.1	1.130	0.0120				
M4D	075	80.1	1.270	0.0130	230	2500	3000	4000 (80bar)
	062	65.1	1.040	0.0110				
	074	76.8	1.220	0.0130				
	088	91.1	1.450	0.0150				
	102	105.5	1.680	0.0180				
	113	116.7	1.860	0.0200				
M4E	128	132.4	2.110	0.0220	190	2500	3000	4000 (80bar)
	138	144.4	2.300	0.0240				
	153	158.5	2.520	0.0260				
	185	191.6	3.050	0.0320				
	214	222.0	3.530	0.0370	175			

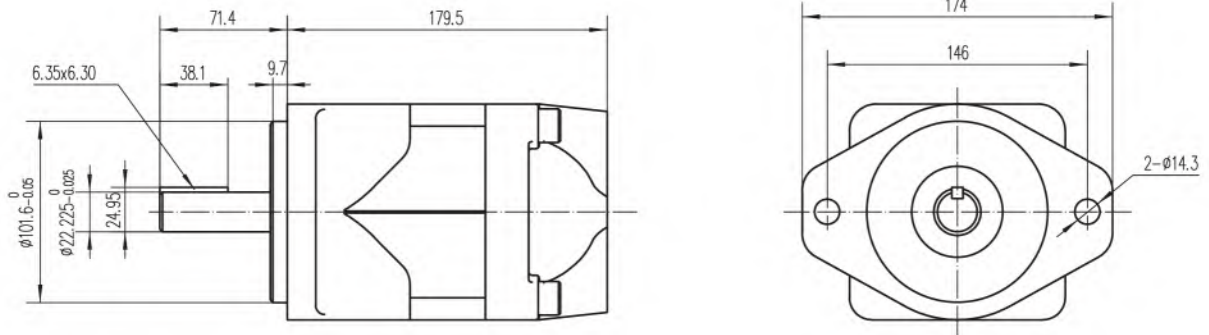
Oil port

	SAE Threaded port	SAE 4 (Bolt)	
		UNC	Metric thread
SAE (Drain)	01	02	–
BSPB (Drain)	–	04	M4
M4C	●	●	●
M4D	●	●	●
M4E	●	●	–

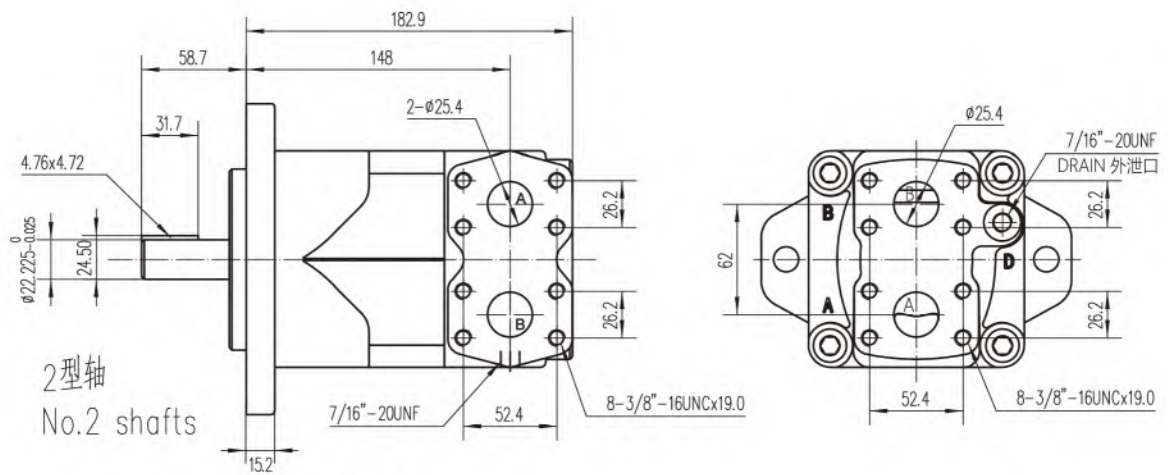
Port location Description

Series	Tail		Side		
	00	01	02	03	04
M4C	●	●	●	●	●
M4D	●				
M4E	●				

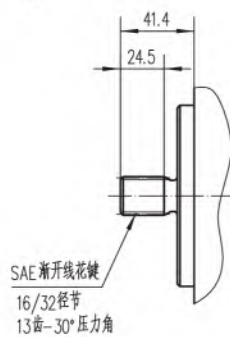
M4C Installation Dimensions



No.1 shafts

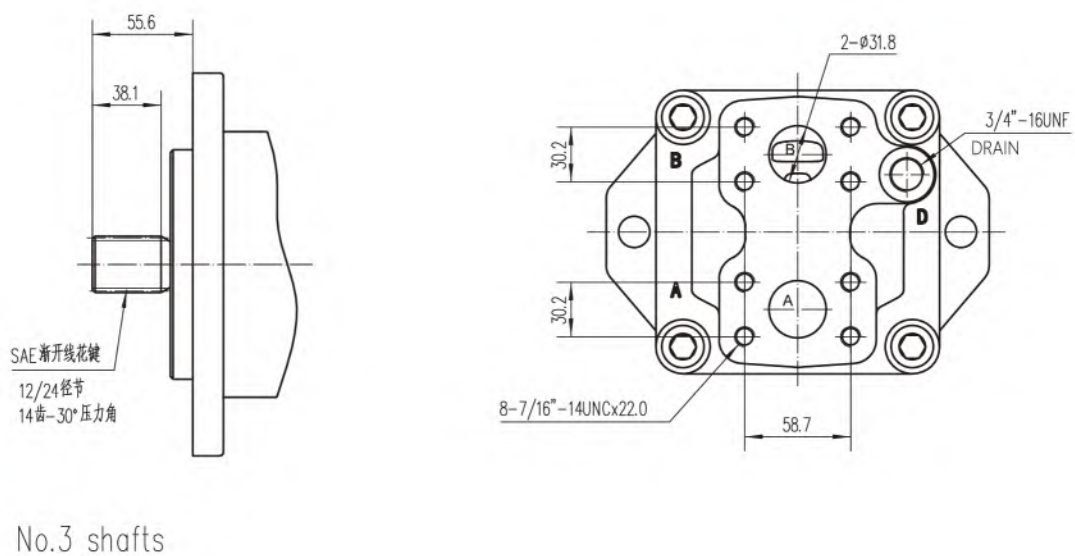
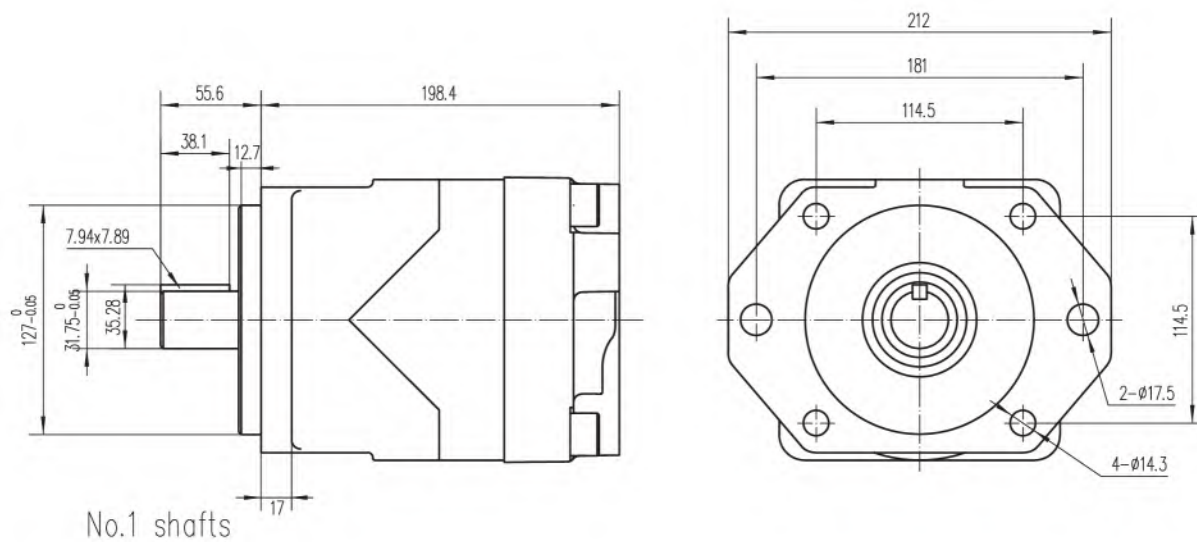


2型轴
No.2 shafts



No.3 shafts

Installation Dimensions





TECHYDRO

+86-15869517019

SALES@techydro.com.cn

WWW.TECHYDRO.COM.CN

whatsapp/Wechat: +86-15869517019

TEL: +86(0574) -87021030