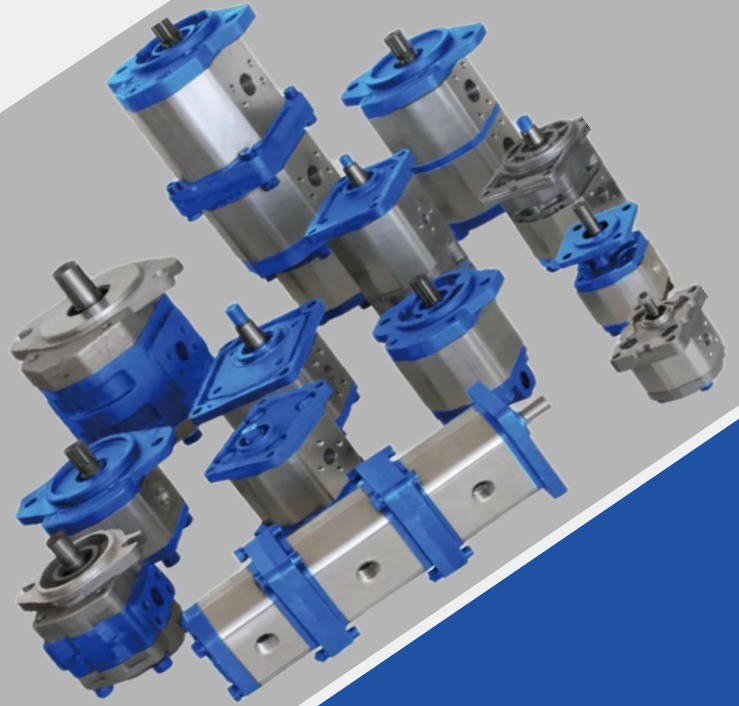


WWW.TECHYDRO.COM.CN

TECHYDRO

TECHYDRO



PUMP

FOR ALL TECHNICAL SPECIFICATION OR DRAWINGS PLEASE
CONTACT OUR TEAM OR EMAIL US:
SALES@TECHYDRO.COM.CN

Ningbo Tech-Hydro Co. Ltd

GROUP 1 SERIES

Pmax: 250bar(3500psi)
Qmax: 0.8cc/rev-7.8cc/rev
Mounting Type: SAE2- -bolt
European & DIN4-bolt

Please contact us for detail sizes and chart.



How To Order

TH- GP - 1A - F - 08 - R - X - 2B 10



01 Model: Gear Pump **02** Group: 1 Group

03 Mounting: F: Flange Type L: Foot Type

04 Displacement
 1:1 cc/rev 2:2cc/rev 3:3cc/rev 4:4cc/rev
 5:5cc/rev 6:6cc/rev 8:7.8cc/rev

05 Rotational Direction (Viewed from shaft side):
 R : Clockwise; L : Counter- clockwise

06 Shaft Type:
 X: Straight Shaft Y: Spline shaft

07 Flange Mounting Type:
 2B: SAE2-bolt, 4BD: DIN4-bolt
 4DE: European 4- bolt

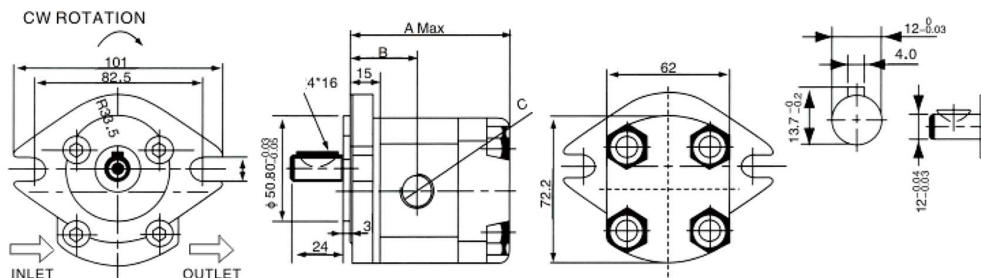
08 10 Serial Number:10

Specification

Model	Displacement cc/rev	Pressure bar(psi)		Speed rpm			Weight(kg)
		Working Pressure	Max.	Rated	Max.	Min.	
TH-GP-1A-F1*	1	210(3000)	250(3500)	1800	4500	1000	1.0
TH-GP-1A-F2*	2				4500	600	1.05
TH-GP-1A-F3*	3				4500	600	1.15
TH-GP-1A-F4*	4				4000	600	1.18
TH-GP-1A-F5*	5				3200	600	1.2
TH-GP-1A-F6*	6				3200	600	1.3
TH-GP-1A-F8*	7.8				3200	600	1.3

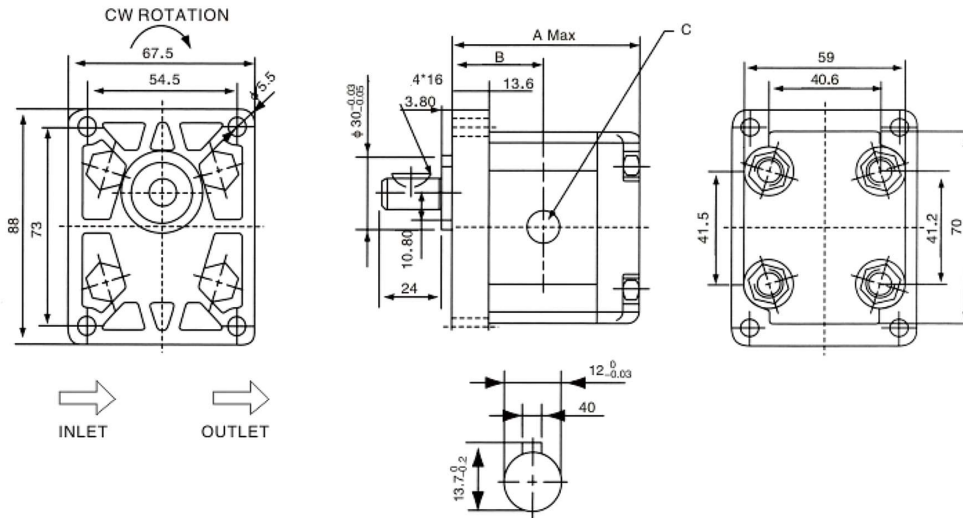
Dimension

TH-GP-1A-F*- *- *-2B-10(SAE 2-bolt)

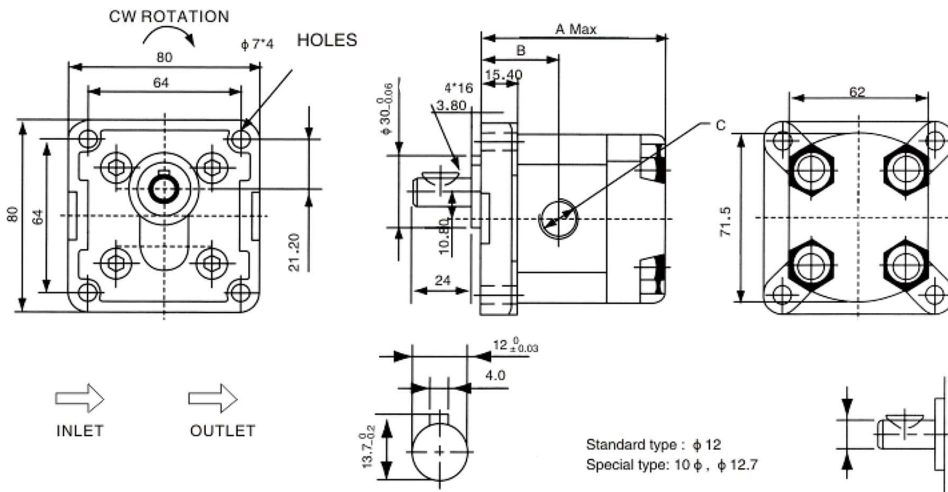


Dimension

TH-GP-1A-F*-*-4BD-10(DIN 4-bolt)



TH-GP-1A-F*-*-4BE-10(European 4-bolt)



Specification

Model	imensionA mm	imensionBmm	C-Inlet	D-Outlet
TH-GP-1A- FO8"	75	36.5	3/8' PT	3/8' PT
TH-GP-1A-F1*	77	38.5	3/8" PT	3/8" PT
TH-GP-1A-F2*	80.5	40.25	3/8" PT	3/8" PT
TH-GP-1A-F3*	86	43	3/8" PT	3/8" PT
TH-GP-1A-F4*	88	44	3/8" PT	3/8" PT
TH-GP-1A-F5*	92	46	3/8" PT	3/8" PT
TH-GP-1A-F6*	96	48	3/8" PT	3/8" PT
TH-GP-1A-F8*	102K	51	1/2" PT	3.8" PT



GROUP 2 SERIES

Pmax: 250bar(3500psi)
Qmax: 2cc/rev-12cc/rev
Mounting Type: JIS4- -bolt

Please contact us for detail sizes and chart.



How To Order

TH-GP - 2A - F - 08 - R - X - 4JB 10

01

02

03

04

05

06

07

08

01 Model: Gear Pump

02 Group: 2 Group

03 Mounting: F: Flange Type L: Foot Type

04 Displacement

2:2cc/rev 3:3cc/rev 4:4cc/rev
 6:6cc/rev 8:7.5cc/rev 8:7.8cc/rev
 9:9cc/rev 11:10.5cc/rev 12:12cc/rev

05 Rotational Direction (Viewed from shaft side):
 R : Clockwise omittred; L : Counter- clockwise

06 Shaft Type:
 X: Straight Shaft
 Y: Spline shaft

07 Flange Mounting Type:
 4JB: JIS4-bolt

08 10 Serial Number:10

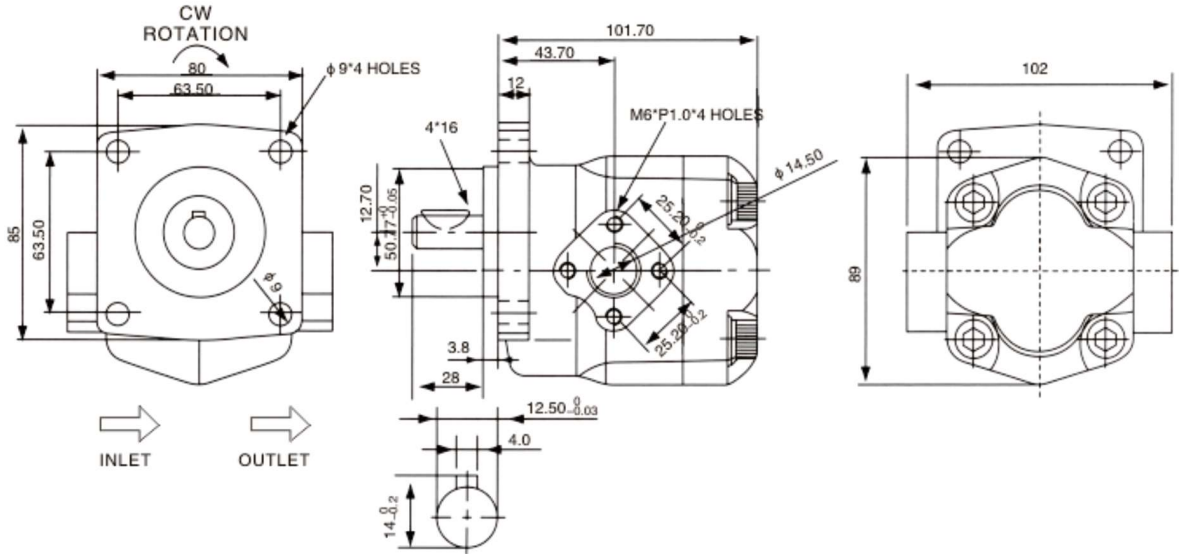
Specification

Model	Displacement cc/rev	Pressure bar(psi)		Speed rpm			Weight(kg)
		Working Pressure	Max.	Rated	Max.	Min.	
TH-GP-2A-F2*	2	210(3000)	250(3500)	1800	5000	900	1.63
TH-GP-2A-F3*	3				5000	850	1.65
TH-GP-2A-F4*	4				4500	800	1.67
TH-GP-2A-F6*	6				3500	700	1.69
TH-GP-2A-F8*	7.5				3000	600	1.72
TH-GP-2A-F9*	9	175(2500)	210(3000)	2500	550	1.75	
TH-GP-2A-F11*	10.5			2000	500	1.77	
TH-GP-2A-F12*	12			2000	500	1.80	

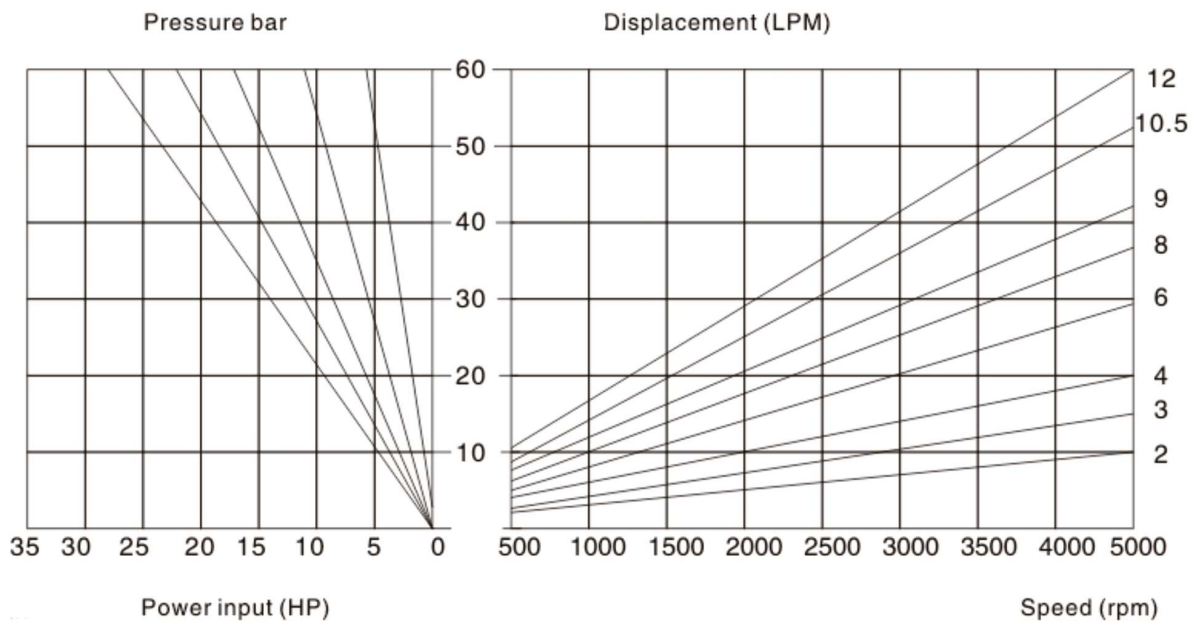
FOR ALL TECHNICAL SPECIFICATION OR DRAWINGS PLEASE CONTACT OUR TEAM OR EMAIL US : SALES@TECHYDRO.COM.CN

Dimension

TH-GP-2A Series



Performance curve :
Pressure, Power Input, Displacement, Speed





GROUP 3 SERIES

Pmax: 250bar(3500psi)
Qmax: 6cc/rev-30cc/rev
Mounting Type: SAE2- -bolt NIN 4-BOLT

Please contact us for detail sizes and chart.



How To Order

TH-GP - 3A - F - 14 - R - X- 4JB 10



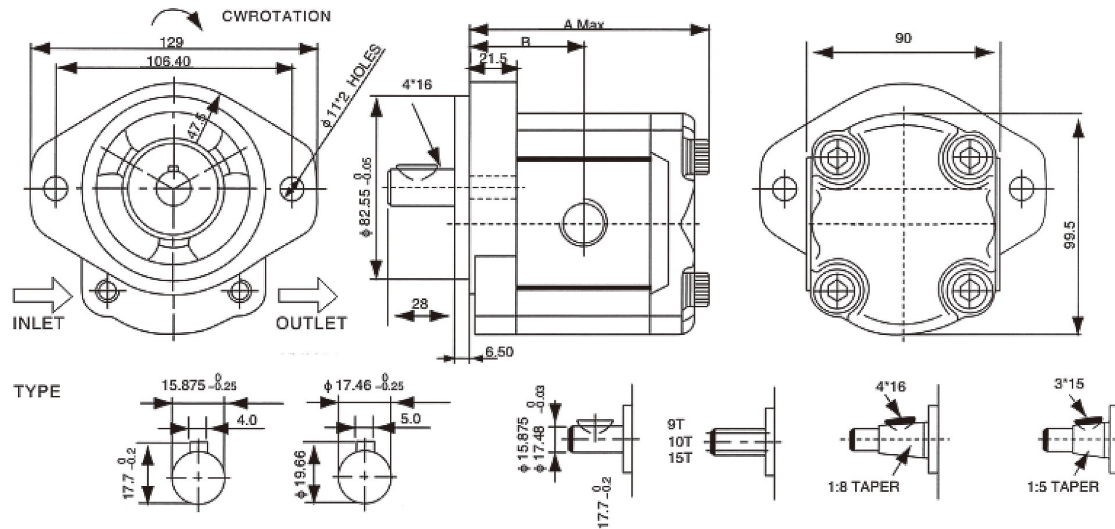
- 01 Model:** Gear Pump
- 02 Group:** 3 Group
- 03 Mounting:** F: Flange Type L: Foot Type
- 04 Displacement**
 6:6cc/rev 8:8.4cc/rev 11:11 cc/rev
 14:14.3cc/rev 17:16.5cc/rev 19:1 9.2cc/rev
 23:23cc/rev 25:25cc/rev 28:28cc/rev 30:30cc/rev
- 05 Rotational Direction (Viewed from shaft side):**
 R : Clockwise omittred; L : Counter- clockwise
- 06 Shaft Type:**
 X: Straight Shaft
 Y: Spline shaft
- 07 Flange Mounting Type:**
 2B: SAE2-bolt, 4BD: DIN4-bolt
- 08 10 Serial Number:**10

Specification

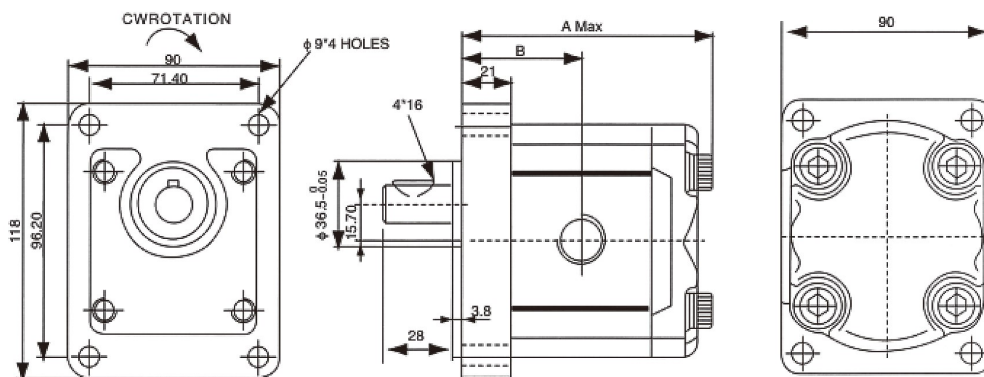
Model	Displacement cc/rev	Pressure bar(psi)		Speed rpm			Port Sizes		Weight(kg)
		Working Pressure	Max.	Rated	Max.	Min.	Inlet	Outlet	
TH-GP-3A-6*	6	210(3000)	250 (3500)	1800	3000	700	PT 3/4	PT 1/2	2.25
TH-GP- 3A-8*	8.4								2.40
TH-GP-3A-11*	11								2.55
TH-GP-3A-14*	14.3								2.85
TH-GP- -3A-17*	16.5								3.05
TH-GP- -3A-19*	19.2								3.20
TH-GP- -3A-23*	23	175(2500)	175 (2500)	400	400	PT 3/4	PT 1/2	3.35	
TH-GP- -3A-25*	25	3.5							
TH-GP- -3A-28*	28	3.6							
TH-GP-3A-30*	30	140(2000)				PT 1	PT 3/4	3.6	

Dimension

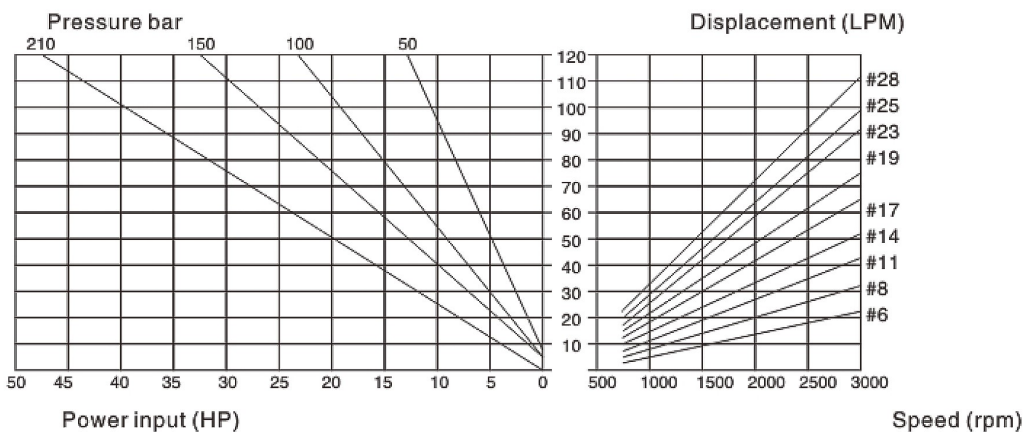
TH-GP-.*3A-**-2B-10



TH-GP-.*3A-**-4B-10



Performance curve :
Pressure, Power Input, Displacement, Speed





TECHYDRO

- +86-15869517019
- SALES@techydro.com.cn
- WWW.TECHYDRO.COM.CN
- whatsapp/Wechat: +86-15869517019
- TEL: +86(0574) -87021030